

General Features

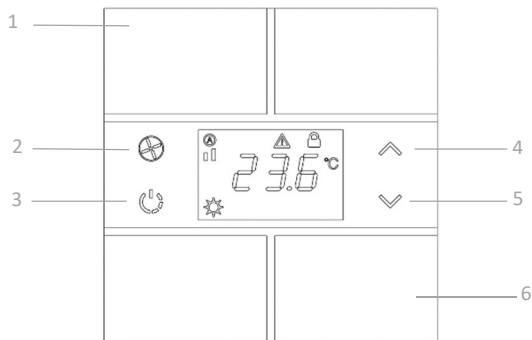


- Temperature Adjustment on Digital LCD
- Integrated Temperature Sensor (°C/ °F)
- Fan Speed Adjustment (1, 2, 3, Auto)
- Different Operation Modes (Comfort, Night, Away, OFF)
- Fully Automatic Function Mode (hot-cold transition)
- Control Flexibility for all HVAC units including VRF-VRV and AC
- PI rational, PI on-off (PWM), On/Off, Fan coil, Split unit controls
- Easy mount into 60x60 mm standard switch junction boxes
- 2 dependent or 4 independent programmable buttons
 - Switching
 - Dimming
 - Blind Control
 - Value transfer
 - Scene Control

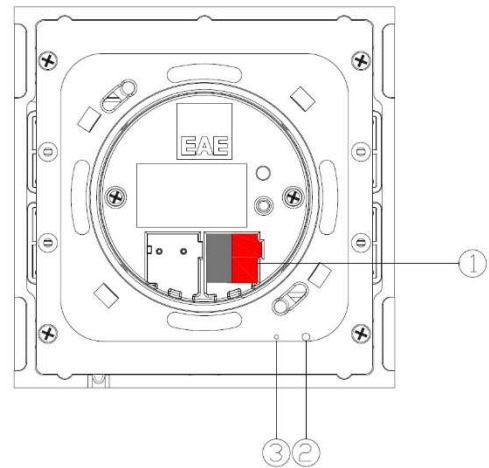
Technical Data

Operating Voltage	- Voltage	21V... 30V DC, via the KNX bus	
	- Current drawn from bus	<10mA	
Safety Rating		IP 20, DIN EN 60529	
Connections	- KNX	Bus Connection	
Operating Temperature	- Ambient	-5° C + 45° C	
	- Storage	-25° C + 55° C	
	- Measurement Accuracy	±0,3 °C	
Dimensions	Front Side	85 x 85 mm	
	Side- Surface mounted part	11 mm	
	Side- Flush mounted part	19.4 mm	
Box Material	Glass or Metal, polycarbonate		
Color	Antrasit, Bronze, Dull Gold, Natural		
CE	In accordance with the EMC guideline and low voltage		
Application Program	# of Comm. Objects	Max. Group Addresses	Max. Matching
	50	254	255

Functional Elements and Connections



1. Programmable Button Group 1
2. Fan Speed (1, 2, 3, A)
3. Operation Mode (Comfort, Night, Away, OFF)
4. Setpoint Temperature UP
5. Setpoint Temperature DOWN
6. Programmable Button Group 2



1. KNX Port Terminal
2. Programming Button
3. Programming LED

Technical Drawings

