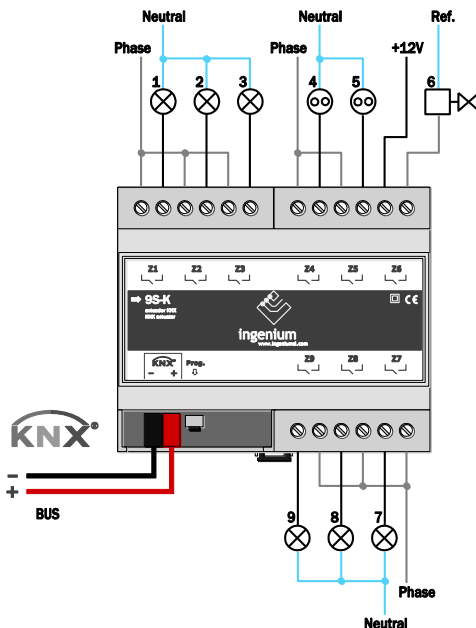


Installation



General description

The 9S-K is an actuator composed of 9 potential-free relay outputs (dry contact). Each output could work independently or simultaneously in different modes: binary outputs, blinds, Fan-coils or thermo-valves. Support for Arithmetic and Logic Unit (UAL) that allows to program complex logic operations, timers programming, counters, etc. using internal or external variables.

Characteristics

Its 9 outputs allow to control 9 on / off electrical circuits, 4 blinds (2 outputs for one blind motor: up phase and down phase) or 2 Fan-coils. The cut off capacity is 16A@230Vac / potential free relay output. If necessary, insert a contactor to control higher power circuits.

Last position memory in case of power failure.

Technical information

Supply - from KNX BUS.

Consumption - 9 mA from KNX BUS.

Outputs – 9 digital outputs (potential-free relay)
16A@230Vac cut-off capacity.

Mounting – DIN Rail (6 modules).

Environment temperature range - Operation: from -10°C to 55°C / Storage: from -30°C to 60°C / Transportation: from -30°C to 60°C.

Regulation - According to the directives of electromagnetic compatibility and low voltage. EN 50090-2-2 / UNE-EN 61000-6-3:2007 / UNE-EN 61000-6-1:2007 / UNE-EN 61010-1.

Remarks



Feed low voltage lines (KNX bus and inputs) in separate ducting to that of power (230V) and outputs to ensure there is enough insulation and avoid interferences.

Do not connect the main voltages (230 V) or any other external voltages to any point of the KNX bus or inputs.

QR-Code

