



SWISS GARDE 300 PRESENCE DETECTOR KNX/KLR APPLICATION DESCRIPTION

SWISS GARDE 300 PRESENCE KNX/KLR DESCRIPTION DU PROGRAMME D'APPLICATION

SWISS GARDE 300 PRÄSENZ KNX/KLR APPLIKATIONSBESCHREIBUNG



SG300P KNX/KLR

SG300P KNX/KLR IP55 UP

SG300P KNX/KLR IP55 AP

25240 / 25251CH / 25252CH

25241 / 25245

25242 / 25248

English	2
Français	18
Deutsch	36

Content table

1. Functional Description	3
1.1 Model overview	3
1.2 Dimensions	3
2. Communication Objects	4
3. Parameters	4
3.1 General	4
3.2 Light - Switch / Dimming / Standby values	5
3.3 HVAC	7
3.4 Brightness / Threshold switch / Value calibration	7
3.5 Brightness value calibration	8
3.6 PIR evaluation	8
3.7 Constant light control	9
3.8 Constant light parameters	10
3.9 Constant light parameter - Dead zone	11
4. Functional blocks	11
4.1 Light control channel	11
4.2 HVAC channel	12
4.3 Brightness - Threshold switch	13
4.4 AD calibration value	13
4.5 Objects for constant light control	14
5. Program version 2.7	15
5.1 Overview of changes	15
5.2 Communication objects	15
5.3 Parameters	16

1. FUNCTIONAL DESCRIPTION

The SWISS GARDE 300P KNX/KLR Type No. 25240 D (CH) is a 4 channel presence detector for wall mount indoor installation. The SWISS GARDE 300P KNX/KLR Type No. 25241, 2542 are for outdoor wall mount installation with enhanced temperature range. They provide IP55 protection. The device is based on a modern 16-bit microcontroller with internal flash memory and an integrated KNX/EIB bus coupler. Three pyro detectors and a high resolution lens can detect the smallest motions. The 3 PIR sensors can be activated individually or in groups. An integrated light sensor with linear output measures brightness. Its built-in optical filter has a spectral response similar to that of the human eye.

All models cover can be configured as a **master** or as a **secondary device**. The presence detector has a **2-channel constant light controller (CLC)** with a parametrate offset between -50% to +50%. There is an additional **light channel** output for switching, dimming or scene selection. An **additional HVAC channel** can be used for **HVAC** controls, **alarm systems** or presence detection. With the standard KNX bus, all switching and control functions can be easily programmed and executed. The application description is valid for devices with the **program version 2.4**. Functional enhancements and changes from **program version 2.7** are described in the chapter 5.



Art.-Nr. 25241

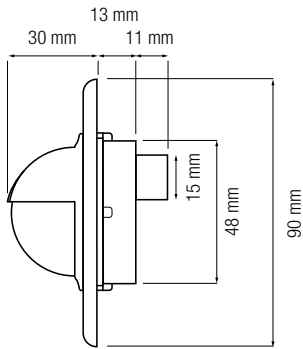


Art.-Nr. 25240 CH

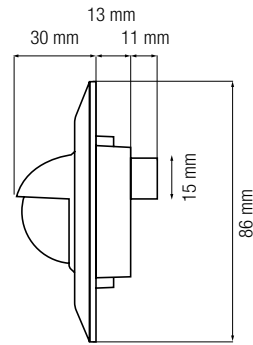
1.1. Model Overview

Description	colour	E-No.	EAN-Nr.	Art.-Nr
Swiss Garde 300 Presence KNX/KLR UP	white	305 401 209	3505100252405	25240 CH
Swiss Garde 300 Presence KNX/KLR UP	white	305 401 209	3505100252405	25240 D
Swiss Garde 360 Presence KNX/KLR IP55 UP	white	305 401 309	3505100252412	25241
Swiss Garde 360 Presence KNX/KLR IP55 AP	white	205 401 309	3505100252429	25242
Swiss Garde 300 presence detector KNX/KLR, STANDARDdue Ø50	white	305 401 219	3505100252511	25251 CH
Swiss Garde 300 presence detector KNX/KLR, STANDARDdue Ø50	black	305 401 819	3505100252528	25252 CH

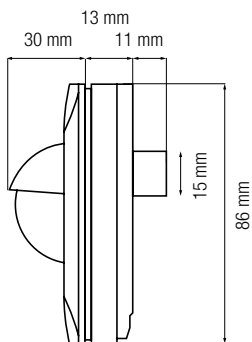
1.2. Dimensions



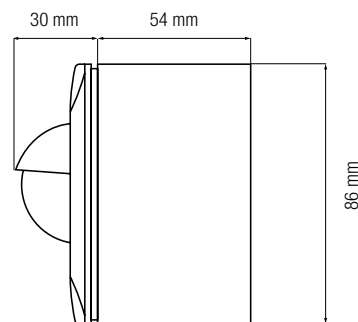
Art.-Nr. 25251CH/25252CH



Art.-Nr. 25240 CH



Art.-Nr. 25241



Art.-Nr. 25242

2. COMMUNICATION OBJECTS *

→ input objects
← output objects

Object		Function	link application with	Bit/Byte
0	←	Output - light (preset dimming)	light group actuator	1 byte
0	←	Output - light (switching)	light group actuator.	1 bit
0	←	Output - light (scene)	light group actuator	1 bit
1	→	Input external switch / status - light (switching)	KNX switch, touch display, logic	1 bit
2	→	Input external motion - light (switching)	Output - light for secondary unit (object 0)	1 bit
3	→	Input - light (forced control)	<ul style="list-style-type: none"> External logic module 	2 bit
3	→	Input - light (lock)	KNX switch, touch display, logic module	1 bit
4	←	Output - HVAC (switching)	<ul style="list-style-type: none"> Actuators for HVAC devices such as heating, ventilation and air conditioning Control of alarm logic modules Presence function 	1 bit
5	→	External switch / status - HVAC (switching)	KNX switch, touch display, logic	1 bit
6	→	External motion - HVAC (switching)	Output HVAC for secondary unit (output object 4).	2 byte
7	→	Input - HVAC (forced control)	External logic module	2 bit
7	→	Input - HVAC (lock)	KNX switch, touch display, logic	1 bit
8	←	Threshold switch brightness (switching)	Logic, actuator	1 bit
9	←	Brightness (lux value)	Logic, touch display	2 byte
10	←	AD calibration value	Read out and then set manually for calibration procedure	2 byte
16	→	Constant light control, switch on/off	KNX switch , logic	1 bit
17	→	Constant light control, dimming relative	4 bit dimming object from KNX switch for ON/OFF, dimming up and down, touch display	4 bit
18	→	Constant light control, preset dimming	Logic module	1 byte
20	→	Constant light control, forced control	KNX button, logic	1 bit
21	→	Constant light control, scene selection	Logic module	1 byte
22	←	Constant light control, channel 1 - output	Dimming actuator for light group 1	1 byte
23	←	Constant light control, channel 2 - output	Dimming actuator for light group 2	1 byte
24	→	Light - standby	Switching of standby value sets	1 bit

* Communication objects program version v2.4

3. PARAMETERS

To set the parameters, the SG360P KNX/KLR RA/EA motion detector should be highlighted in the configuration or operating mode and the command Parameter be selected from the Edit menu item or via the context menu (right mouse click). The Edit parameter... window will open with multiple tabs.

3.1. General

1.1.1 25240 SG 300-3PIR > General

General

Type of detector Master Slave

Light Delay time for forced control mode 9 h

Standby value

HVAC

Brightness

Brightness value calibration

Evaluation of PIR

Constant light control

Type of detector	The function of the detector is set as a master or secondary (slave) device
Delay time for forced control mode	The value "OFF" or a time of 5 min to 9 hrs can be selected in the reset time forced control menu. This parameter defines the time delay for the detector to reset to AUTO mode, after an OFF or ON command has been executed.

3.1.1. Secondary Detector Mode

1.1.1 25240 SG 300-3PIR > Slave Mode

General

Green LED OFF When motion

Slave Mode

Evaluation of PIR

Value OFF ON

Idle time after switch off 5 s

Cyclical transmission 5 s

Secondary Detector Mode (Slave Mode)	The secondary detector mode can be reached in the menu General: click the type of detector as <i>slave</i> and the menu <i>slave mode</i> appears. The delay time of the secondary unit is fixed to 30 sec.
LED green	For testing purposes, the indication LED for motions can be activated.
Value of object	Selectable ON or OFF
Idle time after switch off	Can be set from 1 sec to 60 sec Default value is 5 sec
Cyclical transmission	We recommend retriggering the Master unit cyclically when operating in the Master/Secondary Detector mode. The interval time for cyclical transmission can be set from 1 second to 4 hours. Default value is 30 sec
PIR evaluation	
Active sensors	The 3 PIR sensors can be enabled individually or in groups. The numbers 1, 2, and 3 correspond to positions 1, 2, and 3 as shown in the illustration (§3.6).
Sensitivity setting	The sensitivity can be adjusted from 1 to 10.(1 = min, 10 = max) The default value is 5.

3.2. Light - Switch / Dimming / Standby values

1.1.1 25240 SG 300-3PIR > Light

General

Operating mode of the detector Automatic (no reaction after restart)

Light

Green LED OFF When motion

HVAC

Delay time 1 min

Brightness

Brightness below which sensor is active 500 Lux

Brightness switch-off level OFF

Brightness value calibration

Forced control object or disabled object Force control object Disable object

Evaluation of PIR

If disabled object = 0 Automatic

Constant light control

If disabled object = 1 Forced control OFF

Object type for output - light Switching

Object value for ON OFF ON

Object value for OFF OFF ON

Transmission condition for switching object ON and OFF

Transmission condition for external switch ON and OFF

Idle time after switch off 1 s

Cyclical transmission OFF

Operating mode of the detector	Sets the operating mode to fully or semi-automatic.
Green LED	This LED may flash once after each motion detection or remain off
Delay time	The delay time for the light channel can be set from 1 sec to 4 hrs
Brightness below which sensor is active	Set lighting value from 10 Lux to 2000 Lux and always. Important: If the light channel always remain active (even with values > 2000 lux,the parameter must be to always .
Brightness above which lighting is turned off	Brightness threshold (lux) for immediate switch-off, even if delay time has not yet elapsed. Default value is OFF .
Forced control object or disabled object	This will set object 3. See description of object 3: force control mode – lock mode (§3.6)

If locked object = 0	Selects an action to be executed after reception of a 0 command
If locked object = 1	Selects an action to be executed after reception of a 1 command
Object type for output - light	This will define object 0. The following options are available: switching, dim completely, scene selection
Object value for ON when object type is: light = switching light = dimming light = scene	Select ON or OFF (ON is default value) Select preset dim value from 0% to 100% Select scenes from 1...32
Object value for OFF when object type: light = switching light = dimming light = scene	Select ON or OFF (OFF is default value) Select preset dim value from 0% to 100% Select scenes from 1...32
Transmission conditions for switching object	Transmission filter for output object 0: Output - Light - Switching Selection: ON and OFF; neither ON nor OFF; only ON; only OFF
Transmission conditions for external switch	Selection: ON and OFF; neither ON nor OFF; ON only; OFF only
Idle time after switch off	Can be set from 1 sec to 60 secs Applications: Prevention off bus traffic excess Prevention of erroneous lighting restart if: <ul style="list-style-type: none"> light bulbs are cooling down room is deserted after switching off with a KNX switch.
Cyclical transmission	If the light channel is in switching mode, it is possible to cyclically transmit the "ON" mode. The interval time for cyclical transmission can be set from 1 second to 4 hours.

3.2.1. Light – Preset Dimming

1.1.1 25240 SG 300-3PIR > Light

General	Operating mode of the detector	Automatic (no reaction after restart) ▼
Light	Green LED	<input type="radio"/> OFF <input checked="" type="radio"/> When motion
Standby value	Delay time	1 min ▼
HVAC	Brightness below which sensor is active	500 Lux ▼
Brightness	Brightness switch-off level	OFF ▼
Brightness value calibration	Forced control object or disabled object	<input type="radio"/> Force control object <input checked="" type="radio"/> Disable object
Evaluation of PIR	If disabled object = 0	Automatic ▼
Constant light control	If disabled object = 1	Forced control OFF ▼
	Object type for output - light	Dim completely ▼
	Object value for ON	100% ▼
	Object value for OFF	0% ▼
	Transmission condition for switching object	ON and OFF ▼
	Transmission condition for external switch	ON and OFF ▼
	Idle time after switch off	1 s ▼

Object type for output-light	Preset dimming This setting enables the standby light function. The Standby value option appears in the Light menu.
------------------------------	--

3.2.2. Light - Standby parameters

1.1.1 25240 SG 300-3PIR > Standby value

General	Standby values	<input checked="" type="radio"/> Active <input type="radio"/> Inactive
Light	Standby time 1	1 h ▼
Standby value	Standby value 1	80% ▼
HVAC	Standby time 2	50 min ▼
Brightness	Standby value 2	75% ▼
Brightness value calibration		
Evaluation of PIR		
Constant light control		

Standby values	Toggles the orientation light function between active and inactive
Standby time 1	Set orientation light 1 duration time (seconds, minutes, hours).
Standby value 1	Set light intensity in % (0...100%)
Standby time 2	Set orientation light 2 duration time (seconds, minutes, hours).
Standby value 2	Set light intensity in % (0...100%)

Standby light

If the light channel is set to preset dimming, a new menu will appear to enable the standby functionality.

There are 2 parameters for both the duration time and the light intensity (%) of the standby operation.

After the regular duration time has elapsed the standby light will turn on. With object 24 → the user will then be able to select one of two presettable parameter pairs. If the object value is 0 or there was no command received yet, value pair 1 is enabled. A 1 command value will trigger pair 2.

After standby has elapsed, an OFF command will be sent on the light channel.

The motion detector will return to regular mode and standby mode will be reset.

Lock commands and forced control commands will always reset standby mode immediately.

3.3. HVAC

1.1.1 25240 SG 300-3PIR > HVAC

General	Operating mode of the detector	<input checked="" type="radio"/> Fully automatic <input type="radio"/> Semi automatic
Light	LED	<input checked="" type="radio"/> OFF <input type="radio"/> When motion
Standby value	Delay time	5 min ▼
HVAC	Number of monitoring time intervals	1 ▼
Brightness	Forced control object or disabled object	<input type="radio"/> Force control object <input checked="" type="radio"/> Disable object
Brightness value calibration	If disabled object = 0	Automatic ▼
Evaluation of PIR	If disabled object = 1	Forced control OFF ▼
Constant light control	Length of the monitoring time interval (s)	1 ▲▼
	Object type for output - HVAC	Switching ▼
	Object value for ON	<input type="radio"/> OFF <input checked="" type="radio"/> ON
	Object value for OFF	<input checked="" type="radio"/> OFF <input type="radio"/> ON
	Transmission condition for switching object	ON and OFF ▼
	Transmission condition for external switch	ON and OFF ▼
	Idle time after switch off	1 s ▼

	All parameters are identical to those of the light channel with the exception of:
Number of monitoring time windows	The number of monitoring time intervals can be set from 1 to 32.
Duration of monitoring time window	Adjustable from 1 s to 30,000 s (8.33h)
Note!	The correct setting for fastest response of the HVAC channel is: Number of monitoring time windows: 1 Duration of monitoring time window: 1 second
Presence function with HVAC channel	The above parameters should be used for the presence function (the presence signal is independent from the ambient lighting brightness!)

3.4. Brightness / threshold switch / Value calibration

1.1.1 25240 SG 300-3PIR > Brightness

General	Transmission of the lux value in case of change of	100 Lux ▼
Light	Cyclical transmission of the lux value	OFF ▼
Standby value	Brightness value threshold for switching	500 Lux ▼
HVAC	Hysteresis	50 Lux ▼
Brightness	Object value for ON	<input type="radio"/> OFF <input checked="" type="radio"/> ON
Brightness value calibration	Object value for OFF	<input checked="" type="radio"/> OFF <input type="radio"/> ON
Evaluation of PIR	Transmission filter	ON and OFF ▼
Constant light control		

	The parameters for object 8 ← (Brightness threshold switch, 1 bit) and object 9 ← (Brightness value, 2 bytes) can be set in the Brightness / Threshold menu.
Transmission of the lux value in case of change of	This parameter allows the lux value + change to be sent via object 9 (brightness value) if the set threshold is exceeded. Values from 10 lux up to 1800 lux and "OFF" can be set. The set value of change refers to the set threshold.
Cyclical transmission of the light value	Values from 5 seconds to 30 minutes and „OFF“ can be set.
Lux value of the threshold for switching	Can be set from 10 lux to 2000 lux
Hysteresis	Can be set from 5 lux to 200 lux
Object value for ON	Selection: "ON" or "OFF"
Object value for OFF	Selection: "OFF" or "ON"
Transmission filter	Selections: "ON and OFF"; "neither ON nor OFF"; "ON only"; "OFF only"

3.5. Brightness value calibration

1.1.1 25240 SG 300-3PIR > Brightness value calibration

General	Adjustment brightness sensor	Custom calibration
Light	AD calibration value	0
Standby value	Lux value	0
HVAC		
Brightness		
Brightness value calibration		
Evaluation of PIR		
Constant light control		

Calibration	"NO": Factory calibration is enabled (default value) Reset to factory calibration: This is possible at any time with the setting "NO" and thereafter the reprogramming of the detector. "YES": This option opens the following two additional windows:
AD calibration value	Read AD calibration value (at ← object 10) in the ETS and enter it in the window. Attention: use type 7.001 unsigned 2 byte counter in the read/send value menu! The AD value read-out then appears in the Value received menu (e.g. 739 pulses).
Lux value	Measure reference brightness with lux meter and enter corresponding value.
	See also description of "AD calibration value" on §4.4 for further details.

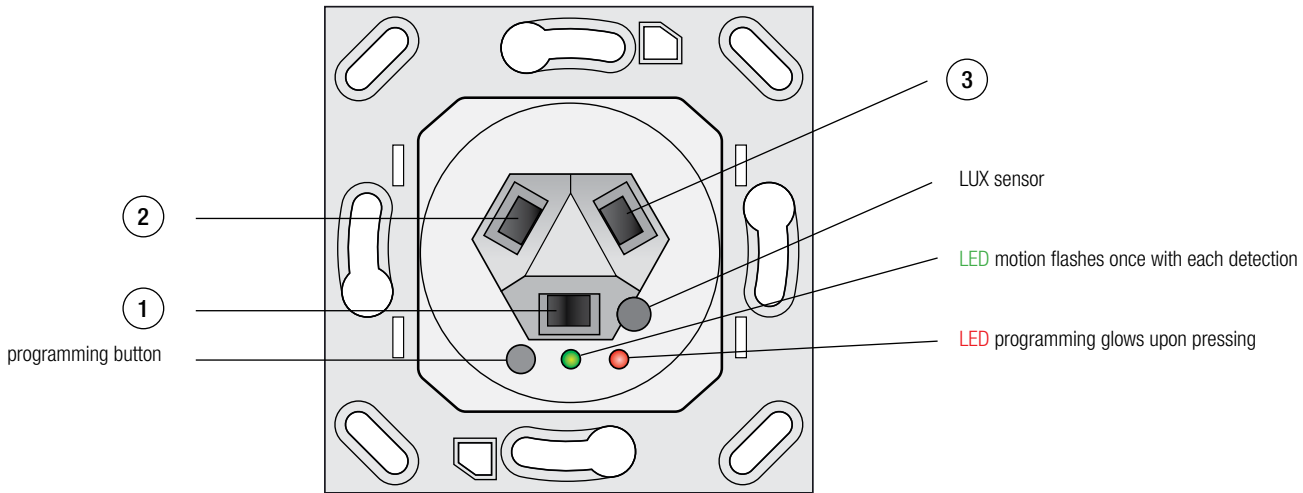
3.6. PIR evaluation

1.1.1 25240 SG 300-3PIR > Evaluation of PIR

General	Active sensors	123
Light	Sensitivity settings 1 = min, 10 = max	5
Standby value		
HVAC		
Brightness		
Brightness value calibration		
Evaluation of PIR		
Constant light control		

Active sensors	The 3 PIR sensors can be enabled individually or in groups. The numbers 1, 2, and 3 correspond to positions 1, 2, and 3 as shown in the illustration below.
Sensitivity setting	The sensitivity can be adjusted from 1 to 10. (1 = min, 10 = max) The default value is 5.

Numbering of the PIR sensors



The PIR sensors 1, 2 and 3 can be enabled individually or in groups of two. The 3 positions of the pyro detectors are visible in the above illustration.

3.7. Constant light control

1.1.1 25240 SG 300-3PIR > Constant light control

General	Constant light controller	<input type="radio"/> Switch-off <input checked="" type="radio"/> Switch-on
Light	Channel 2 for constant light control	<input type="radio"/> Active <input checked="" type="radio"/> Inactive
Standby value	Preset setpoint	300 lx
HVAC	Transmit difference	3%
Brightness	Switch constant light control with	Motion detector light
Brightness value calibration	Time interval for cyclic transmission	No cyclical transmission
Evaluation of PIR	Switch on brightness value	70%
	Time after switch-on until constant light control starts	5 s
	Forced control during switch-on	No reaction
	Forced control during switch-off	No reaction
	Time for relative dimming	5 s
	Take over setpoint after	5 s
	Changed setpoint to flash memory	<input checked="" type="radio"/> disabled <input type="radio"/> enabled
	Keep changed setpoint	<input checked="" type="radio"/> No <input type="radio"/> Yes
	Scene	<input checked="" type="radio"/> Switch-off <input type="radio"/> Switch-on
	Dead zone	4

3.7.1. Constant light scenes

1.1.1 25240 SG 300-3PIR > Constant light control		
General	Preset setpoint	300 lx
Light	Transmit difference	3%
Standby value	Switch constant light control with	Motion detector light
HVAC	Time interval for cyclical transmission	No cyclical transmission
Brightness	Switch on brightness value	70%
Brightness value calibration	Time after switch-on until constant light control starts	5 s
Evaluation of PIR		
Constant light control		
	Forced control during switch-on	No reaction
	Forced control during switch-off	No reaction
	Time for relative dimming	5 s
	Take over setpoint after	5 s
	Changed setpoint to flash memory	<input checked="" type="radio"/> disabled <input type="radio"/> enabled
	Keep changed setpoint	<input checked="" type="radio"/> No <input type="radio"/> Yes
	Scene	<input type="radio"/> Switch-off <input checked="" type="radio"/> Switch-on
	Scene 1	500 lx
	Scene 2	500 lx
	Scene 3	500 lx
	Scene 4	500 lx
	Scene 5	500 lx
	Scene 6	500 lx
	Scene 7	500 lx
	Scene 8	500 lx

3.8. Constant light parameters

Constant light controller	This parameter enables or disables the constant light controller.
Channel 2 for constant light control	Channel 2 can be enabled for constant light control Active/inactive Via the output object 23 a configurable value with a fixed offset can be transmitted
Preset setpoint	The preset setpoint in lux for constant light control can be preset in the ETS. It can also be changed via objects 17 and 18 (constant light - dimming relative and constant light - dim completely).
Transmit difference	This parameter (from 1% to 100%) defines the tolerance window to be exceeded in order to send a new brightness control value.
Switching constant light control with	Switching constant light control ON/OFF can be done using three different sources: By → object 16, presence detection on the light channel or presence detection on the HVAC channel.
Time interval for cyclical transmission	Defines the cycle time interval with which the last brightness value is repeated, even if it has not exceeded the tolerance window. Cyclical transmission can also be disabled.
Switch on brightness value	The switch on value for the lighting can be set from 1% to 100 %.
Switch on timeout	This parameter defines the initial time delay before constant light control is started.
Offset for channel 2 *	The offset range for channel 2 can be set from -50%, 0% to +50%.
Force control during switch-on	This parameter allows the constant light controller function to be set to: no reaction, minimum brightness, maximum brightness
Force control during switch-off	This parameter allows the constant light controller function to be set to: no reaction, minimum brightness, maximum brightness
Time for relative dimming	This parameter allows the relative dimming time to be set. This will influence the dimming soft control.
Take over set point after	This parameter allows setting the time delay after which a new setpoint will be recognized and stored in the RAM memory.
Changed setpoint to flash memory	This parameter allows a new set point to be written to the flash memory.
Keep changed set point	Here at Yes the changed value is stored in the RAM . Attention: now corresponds to the new nominal value of the last new dimmed brightness !
Scene	Various lux values can be set as light scenes (light moods).These can be enabled through object 21 as well.
Dead zone	The dead zone is an area within which the actual light value can change without generating new control commands. The default value for the dead zone is 2. The lux value tolerance of the dead zone can be extracted from the table below. Example: Dead zone value = 2 Brightness = 500 lux The resulting tolerance is: +/- 24 lux This means that the actual value can change from 476 lux to 524 lux without sending new control inputs to the actuator.

* In addition to the previous constant light control channel 1 (Object 22 ←) there is a second constant light control channel 2 (Object 23 ←). The control signal of channel 1 ± offset value is sent to the dimming actuator for light channel 2. Internally, the control range has been extended to ± 150% in order to maintain a reasonable control range at the limits.

That means: Offset at -50%, darkness: FF (=100%) is sent to both objects. Internally, object 1 is at 150% and object 2 at 100%. If the ambient brightness now increases, object 1 remains at 100% (150% - x) and object 2 is regulated downwards (150% - 50% - x). If the regulation now drops below 100%, object 1 will also be visibly smaller on the bus, e.g. 73%, object 2 23%. Object 1 is then regulated down to 0 and object 2 is set to the minimum value of 50%. The values for transmission difference and cyclical transmission are taken from the once off available parameters.

3.9. Dead zone/Brightness correlation

Brightness in lux, +/- lux tolerance (dead band)

		Dead zone									
		1	2	3	4	5	6	7	8	9	10
Brightness	100	2	5	7	10	12	15	17	20	23	26
	200	5	9	14	19	24	30	35	40	46	52
	300	7	14	21	29	37	44	52	61	69	78
	400	9	19	29	39	49	59	70	81	92	104
	500	12	24	36	48	61	74	87	101	115	129
	600	14	28	43	58	73	89	105	121	138	155
	700	16	33	50	68	85	104	122	142	161	181
	800	19	38	57	77	98	119	140	162	184	207
	900	21	42	64	87	110	133	157	182	207	233
	1000	23	47	72	96	122	148	175	202	230	259
	1100	26	52	79	106	134	163	192	222	253	285
	1200	28	57	86	116	146	178	210	243	276	311
	1300	30	61	93	125	159	193	227	263	299	337
	1400	33	66	100	135	171	207	245	283	322	362
	1500	35	71	107	145	183	222	262	303	345	388
	1600	37	75	114	154	195	237	280	324	368	414
	1700	40	80	122	164	207	252	297	344	391	440
	1800	42	85	129	174	220	267	315	364	414	466
	1900	44	90	136	183	232	281	332	384	438	492
	2000	47	94	143	193	244	296	350	405	461	518

4. FUNCTIONAL BLOCKS

The functionality of the presence detector can be split up into the following blocks:

- Motion detection
- Brightness measuring
- Light control channel Switching
- Light control channel preset dimming with optional standby light function
- HVAC control channel (with presence function)
- Lighting dependent threshold switch
- 2 channel constant light control

The motion detector and the brightness sensor (lux) each work independently on the light channel and the HVAC channel.

The constant light controller receives the actual brightness value from the Lux sensor. The controller can be switched on/off by a command via → object 16 or triggered by motion detection on the light or HVAC channel. After switching or recovery of the KNX bus voltage, the presence detector usually generates a switch-on procedure.

4.1. Light control channel

The light control channel has two operating modes that can be selected via the detector operating mode parameters.

The possible settings are:

- fully-automatic
- semi-automatic

The differences between the fully-automatic and semi-automatic modes are:

- fully-automatic mode has three operating conditions: ready, active and passive
- semi-automatic mode has two operating conditions: ready and active
- semi-automatic mode does not switch the light on after motion has been detected. Lighting can only be switched on manually by an external KNX switch.

4.1.1. OBJECT 0 OUTPUT – LIGHT – SWITCH

← Output 1 bit

After each detected motion this output sends an "ON" command and starts the delay timer. The delay time can be set with parameter delay time from 1 second to 4 hours. At the end of the programmed time interval an "OFF" command is sent to the output (object 0).

4.1.2. OBJECT 0 OUTPUT – LIGHT – COMPLETE DIMMING

← Output 1 byte

This mode sends preselected dim values (0% to 100%) to the output for objective value for ON and for objective value for OFF respectively.

4.1.3. OBJECT 0 OUTPUT – LIGHT – SCENE

← Output 1 byte

For the Objective value for ON or Objective value for OFF one of 32 scenes can be selected respectively.

4.1.4. OBJECT 1 EXTERNAL SWITCHING / STATUS - LIGHT - SWITCH

→ Input 1 Bit

Input object 1 external switch / status can be used in two different ways:

- As an input for an external push button that directly switches on the light
- As an input for monitoring the status or the input of an actuator

In both cases, a received telegram „ON“ sets the detector to the ON state and an „OFF“ telegram to the ready state.

Whether commands for ON or OFF will be sent during the transitions depends on the parameter sending conditions for external push button.

After having received an **ON** command, the follow up timer starts as if a motion had been detected.

Lighting is subsequently switched off again.

After having received an **OFF** command the detector remains in its passive status during which it will not detect any motion. After having passed the idle time after switch off, the detector is ready again.

The idle time after switch off can be programmed in the **light** menu.

4.1.5. OBJECT 2 EXTERNAL MOVEMENT - LIGHT - SWITCH

→ Input 1 Bit

Additional (secondary) detectors can be connected through Object 2 “external movement - light – switching”.

The received signal from external presence detectors is processed the same as if from its own detector and works in parallel.

Object 2 is used to set up a **Master-Secondary detector configuration** as follows:

Secondary devices: Connect all outputs of the secondary devices (← object 0) to the input external movement-light-switching (→ object 2) of the master device.

4.1.6. OBJECT 3 INPUT - LIGHT - FORCED CONTROL / LOCK

→ Input 2 Bit

The meaning of this object is defined by the Light → forced control object or disabling object parameter.

Forced control object:

Object 3 when used as forced control object has 3 values which can be received by a 2 bit command:

1. **Forced control object ON** (control = 1, value = 1)
An **ON command** is sent unconditionally to the output – light (object 0).
The follow up timer is disabled and the timer release time starts.
If after having terminated the release time and no further command is sent to the forced control object, normal operation is resumed.
2. **Forced control object OFF** (control = 1, value = 0)
An **OFF command** is sent unconditionally to the output – light (object 0).
The delay timer is disabled and the timer release time starts.
If after having terminated the release time and no further command is sent to the forced control object, normal operation is resumed.
3. **Forced control object auto** (control = 0, value = 0)
Normal operation is resumed immediately.

Locked object:

Object 3 when used as locked object has 2 values which can be received by a 1 bit command 0 and 1:

The response to a switch command on this object is controlled by two more parameters:

Light → if locked object = 0, and Light → if locked object = 1,

Both parameters can specify one of the following commands:

- forced control ON
- forced control OFF
- automatic
- lock (actual state)
- do nothing

Note: Incorrect settings of parameters such as: locked object, lock at 0 and no action at 1 and release time restraint OFF can completely inactivate the correct function of the presence detector.

4.2. HVAC channel

← Output 1 bit

The HVAC channel has the same objects and the same operating modes as the light channel. It works the same way as the light channel as well.

The motion detection function, however, has been expanded and substituted by a “longer presence detection”. This is done by setting several equally long monitoring time windows. At least one motion detection must occur during each time slot.

The parameters are:

- number of monitoring time windows
- length of monitoring time window (s)

Presence function

The HVAC output can be used as a presence detection. To activate this, the number of observation time windows must be set to 1 and the length of the observation time window set to 1 second. The presence signal is independent of the ambient light level.

4.2.1. OBJECT 4 OUTPUT – HVAC – SWITCH

← Output 1 bit

Object 4 “Output - HVAC - Switch” is similar to object 0 “Output - light - switch” but has additional functions (see HVAC parameters, page 10).

4.2.2. OBJECT 5 EXTERNAL SWITCHING / STATUS - HVAC

→ Input 1 Bit

Object 5 “External switching / status - HVAC” is identical to object 1 “External switching / status - light”.

4.2.3. OBJECT 6 EXTERNAL MOVEMENT - HVAC

→ Input 1 Bit

Object 6 “External movement - HVAC - switch” is identical to object 2 “External movement - light - switch”.

4.2.4. OBJECT 7 INPUT - HVAC - FORCED CONTROL

→ Input 2 Bit

Object 7 "Input - HVAC - forced control" is identical to object 3 "Input - light - forced control".

4.2.5. OBJECT 7 INPUT - HVAC - DISABLE

→ Input 1 Bit

Object 7 "Input - HVAC - disable" is identical to object 3 "Input - light - disable".

4.3. BRIGHTNESS THRESHOLD SWITCH

1.1.1 25240 SG 300-3PIR > Brightness

General	Transmission of the lux value in case of change of	100 Lux ▼
Light	Cyclical transmission of the lux value	OFF ▼
Standby value	Brightness value threshold for switching	500 Lux ▼
HVAC	Hysteresis	50 Lux ▼
Brightness		
Brightness value calibration	Object value for ON	<input type="radio"/> OFF <input checked="" type="radio"/> ON
Evaluation of PIR	Object value for OFF	<input checked="" type="radio"/> OFF <input type="radio"/> ON
Constant light control	Transmission filter	ON and OFF ▼

This block has two output objects: Threshold switch and brightness value

4.3.1. OBJECT 8 THRESHOLD SWITCH BRIGHTNESS - SWITCHING

← Output 1 bit

Output object 8 sends an "ON" if the measured brightness is greater than the Value for switching the threshold value switch parameter. If the measured brightness drops below the Switch-on threshold value – (minus) the Hysteresis parameter, an "OFF" is transmitted.

4.3.2. OBJECT 9 BRIGHTNESS VALUE

← Output 2 bytes

Output object 9 sends the current measured brightness value in lux. The transmission is triggered by changes that are greater than the parameter Transmission of the light value in case of a change of or cyclically with the time stipulated for Cyclical transmission of the light value. If the cycle time is set to "OFF" there will be no cyclical transmission.

4.4. AD calibration value

← Output 2 bytes

Object 10 is not transmitted autonomously. It can only be read. Its unsigned 16 bit value represents the momentary value of the AD converter for the brightness measurement. The brightness measurement can be calibrated as follows:

- Measure the incident light - on a desktop for example - with an external lux meter. This represents the reference lux value.
- Read out the AD calibration value (communication object 10) in the ETS.
Note: In the menu Read/send value, use type 7.001 unsigned 2 byte counter!
The AD value read then appears in the Value received menu as 739 pulses, for example.
- With full access, enter the two values Lux value and AD calibration value as parameters.

1.1.1 25240 SG 300-3PIR > Brightness value calibration		
General	Adjustment brightness sensor	Custom calibration
Light	AD calibration value	0
Standby value	Lux value	0
HVAC		
Brightness		
Brightness value calibration		
Evaluation of PIR		
Constant light control		

4.5. OBJECTS FOR CONSTANT LIGHT CONTROL

4.5.1. OBJECT 16 CONSTANT LIGHT - SWITCH ON/OFF

→ Input 1 bit

This input allows the constant light controller to be switched ON and OFF (Object). Alternatively the constant light controller can be activated by motion detection on the light or the HVAC channel.

4.5.2. OBJECT 17 CONSTANT LIGHT - RELATIVE DIMMING

→ Input 4 bit

Using this object, the current value is changed with relative dimming steps of 1%. Using a KNX push button, light can be dimmed and set to a new brightness level. The new light value can then be displayed in Lux on a KNX touch panel through object 9: brightness value.

Important: In the menu constant light → take over set point after you can define the period during which the controller will remain switched off. After this interval, the new value is written to the RAM (not to the flash memory)!

Note: This new target value remains stored in RAM as long as there are people present in the scanned area. After switching the light channel off and back on again, the set point stored in ETS is adopted once again. If the newly changed set point are definitely taken over, set the parameter Keep changed set point to YES (see also section 3.8 Constant light parameter page 18)

4.5.3. OBJECT 18 CONSTANT LIGHT – PRESET DIMMING

→ Input 1 Byte

With this object the user can define a new dim set point in % over the bus.

4.5.4. OBJECT 20 CONSTANT LIGHT - FORCE CONTROL

→ Input 1 bit

In accordance to the parameters force output at ON and force output at OFF, various options can be selected: no reaction, minimum brightness, maximum brightness

4.5.5. OBJECT 21 CONSTANT LIGHT - SCENE

→ Input 1 byte

Scene selection input. 8 adjustable scenes can be selected via ETS. This object has no switch function but only changes the brightness setpoint values.

4.5.6. OBJECT 22 CONSTANT LIGHT - OUTPUT CHANNEL 1

← Output 1 byte

This is the constant light control signal (% brightness) for the dimming actuator of lighting 1

4.5.7. OBJECT 23 CONSTANT LIGHT - OUTPUT CHANNEL 2

← OUTPUT 1 byte

This is the constant light control signal for the dimming actuator of lighting 2. The lux value is equal to channel 1 +/- offset.

5. PROGRAMMVERSION 2.7

With the program version 2.7, the function possibilities of the presence detector - series Swiss Guard 360P KNX / KLR RA / EA expanded and existing features of program version 2.4, have been supplemented respectively adapted.

The standard values (default values) of the parameters compared to the settings in version 2.4 are partially modified. These settings allow a simple and safe functionally check (initial start-up) of the presence detector .

Older devices of software version 2.4 can also be programmed with the program version 2.7 (backward compatibility) . However, supplemented functions and the additional communication objects are not all supported.

5.1. Overview of the changes:

- Forced control Secondary detector-Mode see 5.2.0
- Parameter changes via communication objects see 5.2.1
- Dimming function with constant light control (clc) see 5.2.2
- Power on characteristics see 5.3.1
- Automatic lighting OFF threshold see 5.3.2
- Delay time in semi-automatic mode see 5.3.3
- Standby-function see 5.3.4
- Light sensor adaption see 5.3.5

5.2. Communication objects

- input objects
- ← output objects

Object		Function	link application with	Bit/Byte
0	←	Output - light (preset dimming)	light group actuator	1 byte
0	←	Output - light (switching)	light group actuator.	1 bit
0	←	Output - light (scene)	light group actuator	1 bit
1	→	Input external switch / status - light (switching)	KNX switch, touch display, logic	1 bit
2	→	Input external motion - light (switching)	Output - light for secondary unit (object 0)	1 bit
3	→	Input - light (forced control)	• External logic module	2 bit
3	→	Input - light (lock)	KNX switch, touch display, logic module	1 bit
4	←	Output - HVAC (switching)	• Actuators for HVAC devices such as heating, ventilation and air conditioning • Control of alarm logic modules • Presence function	1 bit
5	→	External switch / status - HVAC (switching)	KNX switch, touch display, logic	1 bit
6	→	External motion - HVAC (switching)	Output HVAC for secondary unit (output object 4).	2 byte
7	→	Input - HVAC (forced control)	External logic module	2 bit
7	→	Input - HVAC (lock)	KNX switch, touch display, logic	1 bit
8	←	Threshold switch brightness (switching)	Logic, actuator	1 bit
9	←	Brightness (lux value)	Logic, touch display	2 byte
10	←	AD calibration value	Read out and then set manually for calibration procedure	2 byte
16	→	Constant light control, switch on/off	KNX switch , logic	1 bit
17	→	Constant light control, dimming relative	4 bit dimming object from KNX switch for ON/OFF, dimming up and down, touch display	4 bit
18	→	Constant light control, preset dimming	Logic module	1 byte
20	→	Constant light control, forced control	KNX button, logic	1 bit
21	→	Constant light control, scene selection	Logic module	1 byte
22	←	Constant light control, channel 1 - output	Dimming actuator for light group 1	1 byte
23	←	Constant light control, channel 2 - output	Dimming actuator for light group 2	1 byte
24	→	Light - standby	Switching of standby value sets	1 bit

5.2.1. COMMUNICATION OBJECTS with Secondary Detector- Mode

Object		Function	link application with	Bit/Byte
0	←	Output (switching)	Master presence -detector	1 bit
3	→	Input (forced control)	KNX switch, touch display, logic module	1 bit

Object forced control:

The object 3 as a forced control object knows 2 values (1 bit command) which can be received :

- If object forced control = 1: output (Obj.0) remains locked when motion is detected , no telegrams are sent
- If object forced control = 0: output (Obj.0) → AUTO (normal operation)

5.2.2. OBJECTS FOR DYNAMIC PARAMETER CHANGES

→ Input 2 byte
 ← Output 2 byte

Via object 11 (delay time) and via object 12 (brightness below which sensor is active) may be changed or read the related parameter- values directly without to re-programming the presence- detector. This mode allows via external devices (BMS , touch screen , logic) to influence the functioning of the presence- detector directly . For example, dependent on user needs, the light-ON switching characteristic / delay time can be dynamically adapted during certain day times to optimize the application . Changed values via object remain stored temporarily. After bus voltage interruption / return , after a reset or after a re- programming , the originally parameterized values are active again.

5.2.3. Object 14 CONSTANT LIGHT CONTROL - FORCED DIMMING

→ Input 4 bit

If the constant light control of the Presence detector is activated by a presence detection or by an external "ON"- command (obj1) , dimming values (brighter or darker) transmitted to object 14 interrupt the function Constant-light-control immediately and remains inactive during motion detection and or the delay- time.

At that moment, the constant-light-control output-value (Obj 22) can with relative dimming (brighter / darker) by a KNX push button - to be changed . After the delay- time or after an external " OFF " switching command , the constant-light- control is active again and operates (when motion-detection) with the stored parameter- values .

5.3. Parameters

5.3.1. Operating mode during power- on

After power -on/ bus voltage return or bus voltage interruption, the presence-detector is for the first 60sec inactive. During this stabilization-period of the electronic device, the detector doesn't sends any telegrams too.

Dependent on the application, in the operating mode "Automatic" ,the light output (obj1/obj22) can be activated during the start-up phase. In this mode, two options with "75s light on after restart" or "no reaction after restart" can be selected.

1.1.1 25240 SG 300-3PIR > Light

General	Operating mode of the detector	Automatic (no reaction after restart)
Light	Green LED	Automatic (no reaction after restart) ✓
Standby value	Delay time	Semi automatic
HVAC	Brightness below which sensor is active	Automatic (75 s light on after restart)
Brightness	Brightness switch-off level	500 Lux
Brightness value calibration	Forced control object or disabled object	OFF
Evaluation of PIR	If disabled object = 0	<input type="radio"/> Force control object <input checked="" type="radio"/> Disable object
Constant light control	If disabled object = 1	Automatic
	Object type for output - light	Forced control OFF
	Object value for ON	Dim completely
	Object value for OFF	100%
	Transmission condition for switching object	0%
	Transmission condition for external switch	ON and OFF
	Idle time after switch off	ON and OFF
		1 s

5.3.2. Automatic adaptation of the "light-off" threshold

With the setting „Automatic“ in the parameter Brightness above which lighting is turned off, the detector, calculates automatically the light-off threshold with the following rule:
 If the effective brightness with switched light-channel (after 1min.) is greater than the parameterized value „Brightness below which sensor is active“, the light-off threshold is 10% increased above this value plus 200LUX.

If the effective brightness with switched light-channel (after 1min.) is below than the parameterized value „Brightness below which sensor is active“, the light-off threshold is 10% increased above the actual brightness-value (obj9) plus 200LUX.

1.1.1 25240 SG 300-3PIR > Light

General	Operating mode of the detector	Automatic (no reaction after restart)
Light	Green LED	<input type="radio"/> OFF <input checked="" type="radio"/> When motion
Standby value	Delay time	1 min
HVAC	Brightness below which sensor is active	500 Lux
Brightness	Brightness switch-off level	OFF
Brightness value calibration	Forced control object or disabled object	OFF ✓
Evaluation of PIR	If disabled object = 0	10 Lux
Constant light control	If disabled object = 1	20 Lux
	Object type for output - light	40 Lux
	Object value for ON	60 Lux
	Object value for OFF	80 Lux
	Transmission condition for switching object	100 Lux
	Transmission condition for external switch	120 Lux
	Idle time after switch off	140 Lux
		160 Lux
		180 Lux
		200 Lux
		220 Lux
		240 Lux
		260 Lux
		280 Lux
		300 Lux

The light-off threshold is recalculated after each expired delay-time and a renewed motion-detection or an "ON" switching-command.
 If the parameter Brightness switch-off level is selected with a fixed value, this value needs to be higher or the same as the parameter Brightness below sensor is active.

5.3.3. Delay-time, mode semi- automatic

If the brightness is increasing during the delay-time and passes over the threshold "Brightness switch off level", the light-channel (obj0/obj22) is switching off but the delay-time is continuing either. If the brightness reduces below the value "Brightness below sensor is active", the light channel is switching "ON" again, till the delay-time is expired.

5.3.4. Standby-functionality

When the light-channel is used as "dim completely", a standby-light can be activated optionally. Two pairs of values are available and can select with obj24. The delay-time for the Standby-functionality can also parameterized as "Unlimited" too. → Emergency-light with permanent minimum brightness. If the brightness during standby increase over "Brightness switch off level", the light-channel (obj0) is switching off .

If the brightness reduces below the value "Brightness below sensor is active", the light channel is switching "ON" with the standby-settings again till the delay-time (standby) is expired.

1.1.1 25240 SG 300-3PIR > Standby value

General	Standby values	<input checked="" type="radio"/> Active <input type="radio"/> Inactive
Light	Standby time 1	1 h
Standby value	Standby value 1	80%
HVAC	Standby time 2	50 min
Brightness	Standby value 2	OFF 1 min 2 min 5 min 10 min 20 min 30 min 40 min 50 min ✓ 1 h 2 h 4 h 8 h Unlimited
Brightness value calibration		
Evaluation of PIR		
Constant light control		

5.3.5. Adjustment brightness sensor

Brightness value calibration	<p>1.1.1 25240 SG 300-3PIR > Brightness value calibration</p> <table border="1"> <tr> <td>General</td> <td>Adjustment brightness sensor</td> <td>Custom calibration</td> </tr> <tr> <td>Light</td> <td>AD calibration value</td> <td>Factory calibration</td> </tr> <tr> <td>Standby value</td> <td>Lux value</td> <td>Custom calibration ✓</td> </tr> <tr> <td>HVAC</td> <td></td> <td>Keep internal value</td> </tr> <tr> <td>Brightness</td> <td></td> <td>U</td> </tr> <tr> <td>Brightness value calibration</td> <td></td> <td></td> </tr> <tr> <td>Evaluation of PIR</td> <td></td> <td></td> </tr> <tr> <td>Constant light control</td> <td></td> <td></td> </tr> </table>	General	Adjustment brightness sensor	Custom calibration	Light	AD calibration value	Factory calibration	Standby value	Lux value	Custom calibration ✓	HVAC		Keep internal value	Brightness		U	Brightness value calibration			Evaluation of PIR			Constant light control		
General	Adjustment brightness sensor	Custom calibration																							
Light	AD calibration value	Factory calibration																							
Standby value	Lux value	Custom calibration ✓																							
HVAC		Keep internal value																							
Brightness		U																							
Brightness value calibration																									
Evaluation of PIR																									
Constant light control																									

Factory calibration	This setting is possible at any time with reprogramming of the presence-detector.
Custom calibration	This option open two additional windows. AD calibration value and Lux value
AD calibration value	Read out the AD calibration value (communication object 10) in the ETS and submit it in the window AD calibration value. Note: In the menu Read/send value, use type 7.001 unsigned 2 byte counter! The AD value read then appears in the Value received menu as 739 pulses, for example.
Lux value	Measure with Luxmeter the reference brightness and submit it in the Lux window.
Keep internal value	This setting is selected after a recalibration was made.

SOMMAIRE

1. Description des fonctions	19
1.1 Les différents modèles	19
1.2 Dimensions	19
2. Objets de communication	20
3. Paramètres	20
3.1 Généralités	20
3.2 Lumière - Commutation	21
3.3 CVC	23
3.4 Luminosité / Interrupteur crépusculaire	24
3.5 Calibration de la valeur de luminosité	24
3.6 Paramétrage des capteurs PIR	25
3.7 Paramètres de la régulation constante de la lumière	26
3.8 Choix de la tolérance pour la régulation constante	27
4. Blocs fonctionnels	28
4.1 Canal éclairage / Lumière	28
4.2 Canal CVC (Climatisation, Ventilation, Chauffage)	29
4.3 Luminosité – Seuil de transmission	29
4.4 Valeur de calibration AD	30
4.5 Objets pour la régulation constante de la lumière	30
5. Programme version 2.7	31
5.1 Evolutions pour la version 2.7	31
5.2 Objets de communication	31
5.3 Paramètres	32

1. DESCRIPTION DES FONCTIONS

Le détecteur SWISS GARDE 360P KNX/KLR Présence pour montage encastré au plafond possède une interface KNX/EIB et est destiné principalement aux applications de la gestion technique du bâtiment (GTB). Le produit est basé sur un microcontrôleur 16 Bit des plus récents avec une mémoire flash interne et un coupleur de bus KNX/EIB intégré.

Les mouvements sont captés par **trois capteurs pyroélectriques** et une lentille optimisée.

Les trois capteurs PIR peuvent être activés individuellement ou par groupe.

La mesure de luminosité est réalisée par un capteur photométrique à sortie linéaire. Un filtre optique accordé sur le profil de l'œil humain est aussi intégré.

Les modèles, qu'ils soient pour montage intérieur ou extérieur, peuvent être paramétrés en fonctionnement **maître** ou **détecteur secondaire**. Ces détecteurs de présence possèdent une **régulation constante de lumière sur 2 canaux** différenciés par un écart ou offset paramétrable de - 50% à + 50%. Ils possèdent également un autre canal lumière pour la commutation, la gradation ou le choix d'un scénario.

Un canal supplémentaire, par défaut indépendant de la luminosité, peut être utilisé pour la commande d'une CVC, d'un système d'alarme ou pour indiquer une détection de présence.

Ce document est valable pour les appareils dont le programme est de **version 2.4**. Les évolutions à partir de la **version 2.7** sont traitées spécifiquement au chapitre 5.



Art.-Nr. 25241

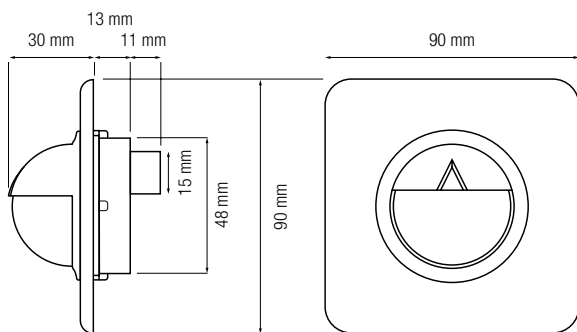


Art.-Nr. 25240 CH

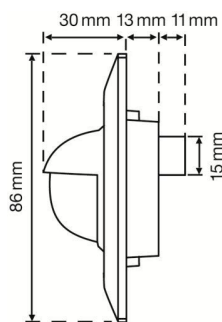
1.1. Les différents modèles

Description	KLR	couleur	E-No.	EAN-Nr.	Art.-Nr
Swiss Garde 300 Presence KNX/KLR UP		blanc	305 401 209	3505100252405	25240 CH
Swiss Garde 300 Presence KNX/KLR UP		blanc	305 401 209	3505100252405	25240 D
Swiss Garde 360 Presence KNX/KLR IP55 UP		blanc	305 401 309	3505100252412	25241
Swiss Garde 360 Presence KNX/KLR IP55 AP		blanc	205 401 309	3505100252429	25242
Détecteur de présence Swiss Garde 300 KNX/KLR STANDARDdue Ø50		blanc	305 401 219	3505100252511	25251 CH
Détecteur de présence Swiss Garde 300 KNX/KLR STANDARDdue Ø50		noir	305 401 819	3505100252528	25252 CH

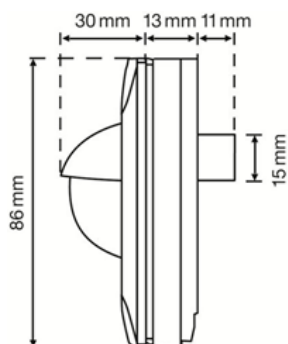
1.2. Dimensions



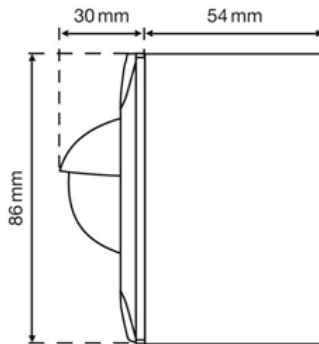
Art.-Nr. 25251 CH/25252 CH



Art.-Nr. 25240 CH



Art.-Nr. 25241



Art.-Nr. 25242

2. OBJETS DE COMMUNICATION *

→ input objects
← output objects

Objet		Fonction	Utilisation/Liaison avec:	Bit/Octet
0	←	Sortie - Lumière (commutation)	Actionneur groupe de luminaires	1 Bit
0	←	Sortie - Lumière (gradation absolue)	Actionneur groupe de luminaires	1 Octet
0	←	Sortie - Lumière (scène)	Actionneur groupe de luminaires	1 Octet
1	→	Entrée commande extérieure - Lumière (commutation)	Poussoir KNX, écran de contrôle, logique	1 Bit
2	→	Entrée mouvement extérieur - Lumière (commutation)	Sortie lumière détecteur secondaire (objet de sortie 0)	1 Bit
3	→	Entrée - Lumière (contrôle forcé)	Module logique extérieur	2 Bit
3	→	Entrée - Lumière (verrouillage)	Poussoir KNX, écran de contrôle, logique	1 Bit
4	←	Sortie - CVC (commutation)	<ul style="list-style-type: none"> Actionneur pour CVC (Climatisation, Ventilation, Chauffage) Commande de logique d'alarme Indication de présence 	1 Bit
5	→	Entrée commande extérieure - CVC (commutation)	Poussoir KNX, écran de contrôle, logique	1 Bit
6	→	Entrée mouvement extérieur - CVC (commutation)	Sortie CVC détecteur secondaire (objet de sortie 4)	1 Bit
7	→	Entrée - CVC (contrôle forcé)	Module logique extérieur	2 Bit
7	→	Entrée - CVC (verrouillage)	Poussoir KNX, écran de contrôle, logique	1 Bit
8	←	Dépassement de seuil lumineux (commutation)	Logique, Actionneur	1 Bit
9	←	Valeur directe de luminosité en Lux	Logique, écran de contrôle	2 Octet
10	←	Valeur de calibration AD	Lecture de la valeur interne et saisie manuelle de la valeur de luminosité lue en réel au luxmètre	2 Octet
16	→	Régulation constante de lumière - ON/OFF	Poussoir KNX, écran de contrôle, logique	1 Bit
17	→	Régulation constante de lumière - Gradation relative	Poussoir KNX, écran de contrôle, pour gradation manuelle	4 Bit
18	→	Régulation constante de lumière - Gradation absolue	Logique	1 Octet
20	→	Régulation constante de lumière - Contrôle forcé	Poussoir KNX, logique	1 Bit
21	→	Régulation constante de lumière - Scène	Logique	1 Octet
22	←	Régulation constante de lumière – Sortie canal 1	Actionneur gradation luminaires gr. 1	1 Octet
23	←	Régulation constante de lumière – Sortie canal 2	Actionneur gradation luminaires gr. 2	1 Octet
24	→	Lumière résiduelle/d'orientation temporisée / Stand-by	Permutation des « paires Stand-by »	1 Bit

* Communication objects program version v2.4

3. PARAMETRES

Pour la programmation des paramètres du produit Swiss Garde 360 Présence KNX/KLR il faut l'insérer à un projet KNX et accéder à ses paramètres par le menu « Editer les paramètres » accessible par l'icône du menu ou par un clic droit et par le menu contextuel. La fenêtre ci-dessous s'ouvre alors.

3.1. Généralités

1.1.1 25240 SG 300-3PIR > Généralités

Généralités

Type de détecteur Maître - Master Esclave - Slave

Lumière Temporisisation contrôle forcé 9 h

CVC

Luminosité

Calibration de la valeur de lumi...

Paramétrage des capteurs PIR

Régulation de lumière constante

Type de détecteur	Choix du statut maître ou détecteur secondaire (<i>Esclave</i>). En choisissant <i>Esclave</i> , un menu réduit apparait dans la colonne de gauche (voir § 3.1.2). En passant à nouveau sur maître, le menu complet du détecteur est réactivé (voir à partir du § 3.2.1).
Temporisisation contrôle forcé	Les valeurs disponibles sont „OFF” ou un délai de 5 minutes à 9 heures. Ce paramètre définit la durée durant laquelle un contrôle forcé est effectif. Le détecteur revient après ce délai où la consigne ON ou OFF a été forcée en mode AUTO.

3.1.1. Mode Détecteur secondaire

Si type de détecteur = détecteur secondaire (Esclave)

1.1.1 25240 SG 300-3PIR > Paramètres mode Esclave - Slave

Généralités	Voyant vert témoin	<input checked="" type="radio"/> Off <input type="radio"/> Si mouvement
Paramètres mode Esclave - Slave		
Paramétrage des capteurs PIR	Valeur de l'objet transmis	<input type="radio"/> Off <input checked="" type="radio"/> On
	Temps mort après extinction	5 s
	Transmission cyclique	5 s

Mode Détecteur secondaire (Mode esclave)	Le menu réduit du mode Détecteur secondaire est accessible lorsqu'on sélectionne le type « slave » ou « esclave » dans le menu « Généralités ». La minuterie par défaut du mode Détecteur secondaire est fixée à 30s.
Voyant vert témoin	Ce voyant peut clignoter lors de mouvements ou resté inactif (repère visuel pour tester la réaction aux mouvements).
Valeur de l'objet transmis	ON ou OFF
Temps mort après extinction	Durée de 1 s à 60 s. Par défaut 10s. Applications: limitation des commutations intempestives lors : <ul style="list-style-type: none"> De refroidissement des sources lumineuses. De l'évacuation de la pièce après extinction par poussoir KNX.
Transmission cyclique	Pour un détecteur secondaire il est recommandé d'envoyer un télégramme de façon cyclique. Dans le cas contraire et lorsqu'il y a présence discontinue dans la zone du détecteur secondaire, la sortie de ce dernier ne change pas de valeur. Le détecteur « maître » ne reçoit donc pas la consigne de relancer sa minuterie et une fois celle-ci arrivée à échéance, la sortie bascule ! <ul style="list-style-type: none"> Durée de 1 s à 55 minutes ou OFF. Par défaut la transmission cyclique se fait toutes les 5 secondes.
PIR evaluation	
Capteur actifs	Les 3 capteurs pyroélectriques PIR sont indépendants et peuvent être indifféremment actifs ou inactifs. Les numéros 1, 2, 3 correspondent aux positions repérées sur l'illustration au §3.6.
Sensibilité des capteurs 1 = min, 10 = max	La sensibilité des capteurs va de 1 à 10, c'est à dire du moins sensible au plus sensible. La valeur par défaut est 5.

3.2. Lumière – Commutation

Si type sortie lumière = commutation

1.1.1 25240 SG 300-3PIR > Lumière

Généralités	Mode opératoire du détecteur	Automatique (pas de réaction après un redémarrage)
Lumière	Voyant vert témoin	<input type="radio"/> Off <input checked="" type="radio"/> Si mouvement
CVC	Durée d'activation - Minuterie	1 min
Luminosité	Seuil de luminosité sous lequel le détecteur est actif	toujours
Calibration de la valeur de lumi...	Seuil de luminosité au-dessus duquel la sortie est coupée d'office	Off
Paramétrage des capteurs PIR	Objet de contrôle forcé ou objet de verrouillage	<input type="radio"/> Objet de contrôle forcé <input checked="" type="radio"/> Objet de verrouillage
Régulation de lumière constante	Si objet de verrouillage = 0	Automatique
	Si objet de verrouillage = 1	Contrôle forcé Off
	Type d'objet pour Sortie - Lumière	Commuter
	Valeur objet pour On	<input type="radio"/> Off <input checked="" type="radio"/> On
	Valeur objet pour Off	<input checked="" type="radio"/> Off <input type="radio"/> On
	Filtre de transmission de l'objet de sortie	On et Off
	Filtre de transmission de commutateur externe	On et Off
	Temps mort après extinction	1 s
	Transmission cyclique	Off

Mode opératoire du détecteur	Détermine le mode de fonctionnement automatique ou semi-automatique.
Voyant LED vert	Ce voyant peut clignoter lors de mouvements ou resté inactif (repère visuel pour tester la réaction aux mouvements).
Minuterie	La minuterie de l'éclairage peut être réglée de 1 s à 4 h.
Seuil de luminosité sous lequel le détecteur est actif	Le seuil crépusculaire est réglable de 10 à 2000 Lux. Important: si la détection doit se faire quel que soit le niveau de luminosité, donc aussi au-delà de 2000 Lux ou dans le cas du mode semi-automatique qui doit activer l'éclairage par appui sur un poussoir, il faut choisir la valeur « toujours ».
Seuil de luminosité au-dessus duquel la sortie est coupée d'office	Niveau haut de lux au-dessus duquel l'éclairage est coupé automatiquement avant que la minuterie soit écoulee. Toujours supérieur au seuil précédent !

Objet de contrôle forcé ou objet de verrouillage	Définition du type de l'objet 3. Voir : OBJECT 3 CONTROLE FORCE/VERROUILLAGE
Si objet de verrouillage = 0	Choix d'une action si la valeur 0 est reçue.
Si objet de verrouillage = 1	Choix d'une action si la valeur 1 est reçue.
Type d'objet pour sortie lumière	Définition du type de l'objet 0. Choix: commutation, gradation absolue, scène
Valeur ON selon type sortie lumière: Sortie lumière = Commutation Sortie lumière = Gradation Sortie lumière = Scène	> Choix ON ou OFF (ON par défaut) > Valeur de luminosité 0% à 100% > Choix de scène 1 jusqu'à 32
Valeur OFF selon type sortie lumière: Sortie lumière = Commutation Sortie lumière = Gradation Sortie lumière = Scène	> Choix OFF ou ON (OFF par défaut) > Valeur de luminosité 0% à 100% > Choix de scène 1 jusqu'à 32
Filtre de transmission de l'objet de sortie	Filtre pour objet de sortie 0: Sortie – Lumière – Commutation Choix: ON et OFF; ni ON ni OFF; seulement ON; seulement OFF
Filtre de transmission de commutateur externe	Choix: ON et OFF; ni ON ni OFF; seulement ON; seulement OFF
Temps mort après extinction	Durée de 1 s à 60 s. Applications: limitation des commutations intempestives lors : <ul style="list-style-type: none"> • De refroidissement des sources lumineuses. • De l'évacuation de la pièce après extinction par poussoir KNX.
Envoi cyclique (Si Sortie lumière = Commutation)	Il est possible, lorsque la sortie lumière est sur « commutation » d'envoyer un télégramme de façon cyclique. Durée de 1 s à 4 heures ou OFF.

3.2.1. Lumière – Gradation absolue

Si type sortie lumière = gradation absolue

1.1.1 25240 SG 300-3PIR > Lumière

Généralités	Mode opératoire du détecteur	Automatique (pas de réaction après un redémarrage)
Lumière	Voyant vert témoin	<input type="radio"/> Off <input checked="" type="radio"/> Si mouvement
Lumière d'orientation / résidue...	Durée d'activation - Minuterie	1 min
CVC	Seuil de luminosité sous lequel le détecteur est actif	toujours
Luminosité	Seuil de luminosité au-dessus duquel la sortie est coupée d'office	Off
Calibration de la valeur de lumi...	Objet de contrôle forcé ou objet de verrouillage	<input type="radio"/> Objet de contrôle forcé <input checked="" type="radio"/> Objet de verrouillage
Paramétrage des capteurs PIR	Si objet de verrouillage = 0	Automatique
Régulation de lumière constante	Si objet de verrouillage = 1	Contrôle forcé Off
	Type d'objet pour Sortie - Lumière	Gradation absolue
	Valeur objet pour On	100%
	Valeur objet pour Off	0
	Filtre de transmission de l'objet de sortie	On et Off
	Filtre de transmission de commutateur externe	On et Off
	Temps mort après extinction	1 s

Type d'objet pour sortie lumière	Gradation absolue Pour ce mode de fonctionnement, le sous-menu lumière d'orientation/résiduelle – Stand-by s'ajoute dans les choix de la colonne de gauche. Voir §3.2.3
----------------------------------	--

3.2.2. Lumière d'orientation / résiduelle - Stand-by

1.1.1 25240 SG 300-3PIR > Lumière d'orientation / résiduelle - Stand-by

Généralités	Valeurs résiduelles - Stand-by	<input checked="" type="radio"/> Actif <input type="radio"/> Inactif
Lumière	Durée d'activation - Stand-by 1	1 h
Lumière d'orientation / résid...	Stand-by Valeur 1	80%
CVC	Durée d'activation - Stand-by 2	50 min
Luminosité	Stand-by Valeur 2	75%
Calibration de la valeur de lumi...		
Paramétrage des capteurs PIR		
Régulation de lumière constante		

Valeurs résiduelles	Permet d'activer ou désactiver la lumière résiduelle ou lumière d'orientation.
Durée d'activation - Stand-by 1	Réglage de la durée de lumière résiduelle 1.
Stand-by valeur 1	Réglage de l'intensité de lumière résiduelle 1 en %
Durée d'activation - Stand-by 2	Réglage de la durée de lumière résiduelle 2.
Stand-by valeur 2	Réglage de l'intensité de lumière résiduelle 2 en %

Eclairage d'orientation, de stand-by ou lumière résiduelle

Lorsque le canal d'éclairage est réglé sur „gradation absolue“, les fonctionnalités de stand-by apparaissent sur un nouveau sous-menu.

Il y a 2 possibilités pour l'éclairage résiduel. Après écoulement de la minuterie, les valeurs de stand-by deviennent actives. L'utilisateur peut au moyen de l'objet 24 → décider si ce sont les valeurs de la paire 1 ou de la paire 2 qui sont prises en compte. Si la valeur de l'objet 24 = 0 ou n'est pas reçu alors la paire 1 est respectée. Si la valeur de l'objet 24 = 1 alors la paire 2 est respectée.

Après écoulement de la durée de stand-by, la valeur de l'objet Sortie lumière est OFF.

Le détecteur revient à son mode normal et le mode stand-by est réinitialisé.

Si un mouvement est détecté en mode automatique ou lors d'un appui sur poussoir externe durant le fonctionnement en mode Stand-by, celui-ci est annulé et le détecteur réagit au mouvement ou à l'appui.

Un mode forcé ou un verrouillage annulent le mode stand-by en cours.

3.3. CVC (Climatisation, Ventilation, Chauffage)

1.1.1 25240 SG 300-3PIR > CVC

Généralités	Mode opératoire du détecteur	<input checked="" type="radio"/> Automatique <input type="radio"/> Semi-automatique
Lumière	Voyant vert témoin	<input checked="" type="radio"/> Off <input type="radio"/> Si mouvement
Lumière d'orientation / résidue...	Durée d'activation - Minuterie	5 min
CVC	Nombre de fenêtres d'observation	1
Luminosité	Objet de contrôle forcé ou objet de verrouillage	<input type="radio"/> Objet de contrôle forcé <input checked="" type="radio"/> Objet de verrouillage
Calibration de la valeur de lumi...	Si objet de verrouillage = 0	Automatique
Paramétrage des capteurs PIR	Si objet de verrouillage = 1	Contrôle forcé Off
Régulation de lumière constante	Durée des fenêtres d'observation	1
	Type d'objet pour Sortie - CVC	Commuter
	Valeur objet pour On	<input type="radio"/> Off <input checked="" type="radio"/> On
	Valeur objet pour Off	<input checked="" type="radio"/> Off <input type="radio"/> On
	Filtre de transmission de l'objet de sortie	On et Off
	Filtre de transmission de commutateur externe	On et Off
	Temps mort après extinction	1 s

	Tous les paramètres sont identiques au canal d'éclairage „Sortie lumière“ sauf:
Nombre de fenêtres d'observation	Réglable de 1 à 32 fenêtres d'observation de l'événement.
Durée des fenêtres d'observation	Réglable de 1 s à 30 000 s (8 h 20 min)
Remarque !	Les réglages pour la réaction la plus rapide du canal CVC sont: Nombre de fenêtres d'observation : 1 Durée des fenêtres d'observation : 1 s
Indication de la présence à l'aide du canal CVC	Les paramètres ci-dessus peuvent être utilisés pour indiquer une présence dans le champ de détection car ce canal est indépendant de la luminosité ambiante et le paramétrage des fenêtres d'observation permet de limiter les détections parasites. La détection finale est validée s'il y a au moins une détection dans chaque fenêtre d'observation.

3.4. Luminosité / Interrupteur crépusculaire

1.1.1 25240 SG 300-3PIR > Luminosité

Généralités	Transmission de la valeur de luminosité (lux) si changement de	100 Lux
Lumière	Transmission cyclique de la valeur de luminosité (lux)	Off
Lumière d'orientation / résidue...	Seuil de luminosité de l'interrupteur crépusculaire	500 Lux
CVC	Hystérésis	50 Lux
Luminosité	Valeur objet pour On	<input type="radio"/> Off <input checked="" type="radio"/> On
Calibration de la valeur de lumi...	Valeur objet pour Off	<input checked="" type="radio"/> Off <input type="radio"/> On
Paramétrage des capteurs PIR	Filtre de transmission	On et Off
Régulation de lumière constante		

	Dans le menu Luminosité il est possible de configurer les paramètres des objets sortants 8 (interrupteur crépusculaire, 1 bit) et 9 (valeur de luminosité, 2 Octet).
Transmission de la valeur de luminosité (lux) si changement de	Ce paramètre permet d'envoyer automatiquement la valeur de luminosité à travers l'objet 9 lorsque celle-ci varie de la valeur saisie ici. Valeurs de 10 à 1800 Lux ou OFF.
Transmission cyclique de la valeur de luminosité (lux)	Réglable de 5 s à 30 min ou OFF. La valeur de luminosité sera envoyée à intervalles réguliers indépendamment du reste.
Seuil de luminosité de l'interrupteur crépusculaire	Réglable de 10 Lux à 2000 Lux. Objet 8 = ON si franchissement ascendant du seuil.
Hystérésis	Réglable de 5 Lux à 200 Lux. Objet 8 = OFF si franchissement descendant du seuil moins l'hystérésis.
Valeur de l'objet 8 pour ON	Choix ON ou OFF
Valeur de l'objet 8 pour OFF	Choix OFF ou ON
Filtre de transmission	Choix: ON et OFF; ni ON ni OFF; seulement ON; seulement OFF

3.5. Calibration de la valeur de luminosité

1.1.1 25240 SG 300-3PIR > Calibration de la valeur de luminosité

Généralités	Calibrage de capteur de luminosité	Calibration personnalisée
Lumière	Valeur de calibration AD	0
Lumière d'orientation / résidue...	Valeur de lux	0
CVC		
Luminosité		
Calibration de la valeur de lu...		
Paramétrage des capteurs PIR		
Régulation de lumière constante		

Calibration	Valeur „NON“ : la calibration usine est active (valeur par défaut) Retour à la calibration d'usine : ceci est à tout moment possible en sélectionnant la valeur « NON » et en reprogrammant le détecteur. Valeur „OUI“ : les fenêtres suivantes s'ouvrent.
Valeur de calibration AD (si calibration = oui)	Lire la valeur dans le logiciel ETS (objet de communication 10) et la copier dans cette fenêtre. Attention: dans le menu Propriétés de l'objet utiliser le Type de données 7.001 pulses. Lire la valeur AD ainsi reçue (exemple : 127 pulses).
Valeur de lux (si calibration = oui)	Reporter dans cette fenêtre la valeur de lux mesurée avec un luxmètre au moment où la valeur AD en « pulses » a été envoyée.
	Pour plus de détails se référer à la description de l'objet „Calibration AD“ §4.4

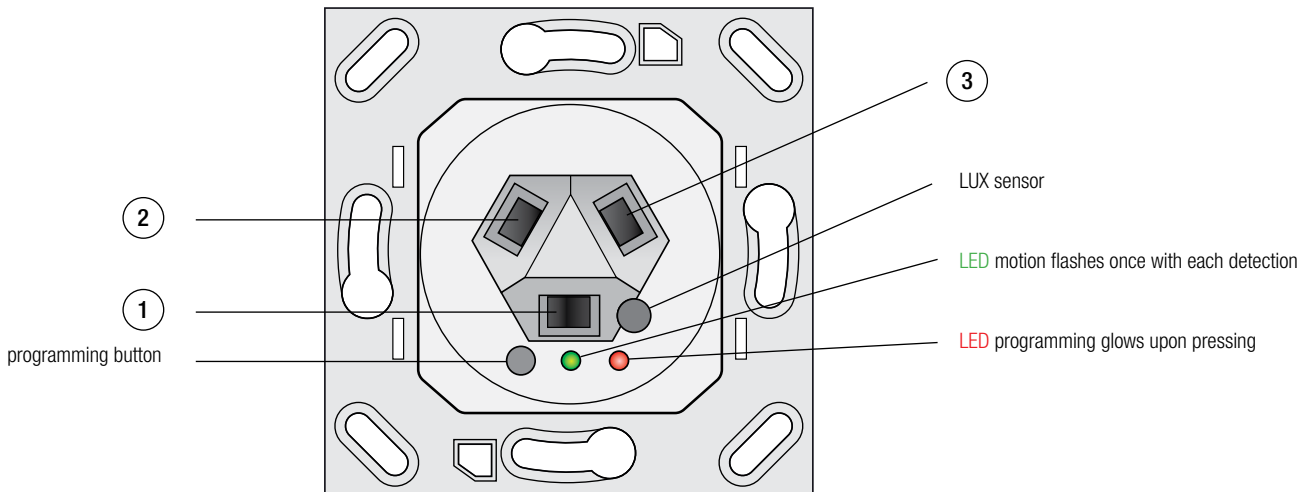
3.6. Paramétrage des capteurs PIR

1.1.1 25240 SG 300-3PIR > Paramétrage des capteurs PIR

Généralités	Capteurs actifs	123
Lumière	Niveaux de sensibilité 1 = min, 10 = max	5
Lumière d'orientation / résidue...		
CVC		
Luminosité		
Calibration de la valeur de lumi...		
Paramétrage des capteurs PIR		
Régulation de lumière constante		

Capteur actifs	Les 3 capteurs pyroélectrique PIR sont indépendants et peuvent être indifféremment actifs ou inactifs. Les numéros 1, 2, 3 correspondent aux positions repérées dans le schéma ci-dessous.
Sensibilité des capteurs 1 = min, 10 = max	La sensibilité des capteurs va de 1 à 10, c'est à dire du niveau le moins sensible au plus sensible. La valeur par défaut est 5.

Numérotation des capteurs PIR



The PIR sensors 1, 2 and 3 can be enabled individually or in groups of two. The 3 positions of the pyro detectors are visible in the above illustration.

3.7. Paramètres de la régulation de lumière constante

1.1.1 25240 SG 300-3PIR > Régulation de lumière constante

Généralités	Régulation de lumière constante	<input type="radio"/> OFF <input checked="" type="radio"/> ON
Lumière	Canal 2 de régulation de lumière constante	<input type="radio"/> Actif <input checked="" type="radio"/> Inactif
Lumière d'orientation / résidue...	Seuil cible de régulation initial	300 lx
CVC	Envoyer sur différence de	3%
Luminosité	Commuter la régulation avec	Détecteur de mouvement lumière
Calibration de la valeur de lumi...	Durée pour envoi cyclique	Pas de transmission cyclique
Paramétrage des capteurs PIR	Niveau de lumière au départ	70%
	Durée après commutation pour démarrer la régulation absolue	5 s
Régulation de lumière consta...		
	Contrôle forcé pour On	Aucune réaction
	Contrôle forcé pour Off	Aucune réaction
	Durée pour la régulation relative	5 s
	Enregistrer le nouveau seuil après	5 s
	Enregistrer le nouveau seuil dans la mémoire flash	<input checked="" type="radio"/> Verrouillé <input type="radio"/> Autorisé
	Mémoriser la valeur modifiée	<input checked="" type="radio"/> Non <input type="radio"/> Oui
	Scène	<input checked="" type="radio"/> OFF <input type="radio"/> ON
	Zone de tolérance de régulation	4

Régulation de lumière constante	Ce paramètre détermine l'usage ou non de la régulation de la lumière artificielle commandée selon l'apport supplémentaire de lumière extérieure.
Canal 2 de régulation de lumière constante	Ce paramètre permet l'usage ou non du canal 2 pour la gradation. L'objet sortant 23 est alors envoyé avec un offset fixe par rapport à l'objet 22 qui est réglé plus loin.
Envoyer sur différence	Ce paramètre détermine la tolérance devant être dépassée pour envoyer une nouvelle valeur de régulation de la lumière. Cette tolérance va de 1% à 100%.
Seuil cible de régulation initial	Ce paramètre détermine le niveau de luminosité à respecter autour du détecteur et que la gradation rattrape continuellement. Cette valeur peut être modifiée avec les objets de gradation 17 et 18.
Commuter la régulation avec	L'activation de la gradation, donc l'allumage de la lumière, peut être provoquée par 3 sources différentes au choix ici: Objet 16, détection lumière, détection CVC.
Durée pour envoi cyclique	Ce paramètre détermine la durée du cycle d'envoi du dernier niveau de luminosité même s'il n'a pas dépassé la tolérance pré-réglée. Ce paramètre peut être désactivé.
Niveau de lumière au départ	Ce paramètre détermine la quantité de lumière en % à l'allumage.
Durée après commutation pour démarrer la régulation	Ce paramètre détermine la durée à partir de l'allumage et jusqu'au début de la gradation.
Offset Canal 2 *	Ce paramètre détermine l'écart (offset) entre le canal 2 et le canal principal 1. Réglage de -50% à +50%

* En complément du canal de réglage constant de la lumière Canal 1 (Objet 22 ←) il y a un second objet similaire Canal 2 (Objet 23 ←). Une valeur est envoyée via ce canal avec un écart (offset) fixe par rapport au canal 1. En interne la plage de réglage a été élargie à $\pm 150\%$ afin d'avoir un réglage stable aux extrémités.

Cela signifie: Offset sur -50%, pénombre: la valeur hexadécimale FF (C.à.d. 100%) est envoyée. En interne, l'objet 1 est sur 150%, l'objet 2 sur 100%. Si la luminosité environnante augmente de « x », la régulation doit faire diminuer la lumière artificielle. L'objet 1 descend donc vers 100% (150%-x) et l'objet 2 descend vers 150%-50%-x. Lorsque l'objet 1 passe sous les 100%, par exemple 73% alors l'objet 2 est à 73-50=23%. Une fois l'objet 1 en-dessous de 50%, l'objet 2 est fixé à la valeur minimale.

3.7.1. Paramètres de la régulation de lumière constante - suite

Contrôle forcé pour ON	Ce paramètre détermine la réaction de la sortie de lumière constante pouvant être: aucune réaction, luminosité minimum, luminosité maximum.
Contrôle forcé pour OFF	Ce paramètre détermine la réaction de la sortie de lumière constante pouvant être: aucune réaction, luminosité minimum, luminosité maximum.
Durée pour la régulation relative	Ce paramètre détermine la durée pour la gradation relative (manuelle). Cela influence l'action manuelle.
Enregistrer le nouveau seuil après :	Ce paramètre détermine la durée devant s'écouler sans modification du seuil pour enregistrer la valeur dans la mémoire RAM valable aussi longtemps qu'il y a détection de présence.
Enregistrer le nouveau seuil dans la mémoire flash	Ce paramètre détermine si le nouveau seuil trouvé manuellement doit être enregistré comme valeur par défaut dans la mémoire flash.
Mémoriser la valeur modifiée	Si oui, la nouvelle valeur de seuil sera enregistrée dans la mémoire RAM et remplacera le seuil cible de régulation initial. Permet de conserver le seuil déterminé manuellement après absence de détection de présence.
Scène*	Ce paramètre permet de sélectionner différentes scènes lumineuses pré-réglées. Celles-ci peuvent être appelées via l'objet 21.
Zone de tolérance de régulation	Cette plage de luminosité est une tolérance dans laquelle la valeur de luminosité en lux peut varier sans qu'une nouvelle instruction de régulation ne soit envoyée en compensation. Ces plages sont définies par le tableau ci-après (§3.8). La valeur par défaut est la plage 2. La tolérance de chaque zone dépend de la valeur de lux actuelle. Le système de mesure de luminosité intégré étant logarithmique, le tableau n'est pas linéaire. Exemple : Zone = 2 ; Luminosité = 500 lux ; Tolérance = ± 24 lux La luminosité peut donc varier entre 476 et 524 lux sans qu'il y ait réajustement par la gradation.

* Affichage des scènes : valeur paramètre « Scène » = 0

1.1.1 25240 SG 300-3PIR > Régulation de lumière constante

Généralités	Seuil cible de régulation initial	300 lx
Lumière	Envoyer sur différence de	3%
Lumière d'orientation / résidue...	Commuter la régulation avec	Détecteur de mouvement lumière
CVC	Durée pour envoi cyclique	Pas de transmission cyclique
Luminosité	Niveau de lumière au départ	70%
Calibration de la valeur de lumi...	Durée après commutation pour démarrer la régulation absolue	5 s
Paramétrage des capteurs PIR		
Régulation de lumière consta...	Contrôle forcé pour On	Aucune réaction
	Contrôle forcé pour Off	Aucune réaction
	Durée pour la régulation relative	5 s
	Enregistrer le nouveau seuil après	5 s
	Enregistrer le nouveau seuil dans la mémoire flash	<input checked="" type="radio"/> Verrouillé <input type="radio"/> Autorisé
	Mémoriser la valeur modifiée	<input checked="" type="radio"/> Non <input type="radio"/> Oui
	Scène	<input type="radio"/> OFF <input checked="" type="radio"/> ON
	Scène 1	500 lx
	Scène 2	500 lx
	Scène 3	500 lx
	Scène 4	500 lx
	Scène 5	500 lx
	Scène 6	500 lx
	Scène 7	500 lx
	Scène 8	500 lx
	Zone de tolérance de régulation	4

3.8. Abaque zone de tolérance en fonction de la luminosité

		Numéro de zone de tolérance									
		1	2	3	4	5	6	7	8	9	10
Luminosité	100	2	5	7	10	12	15	17	20	23	26
	200	5	9	14	19	24	30	35	40	46	52
	300	7	14	21	29	37	44	52	61	69	78
	400	9	19	29	39	49	59	70	81	92	104
	500	12	24	36	48	61	74	87	101	115	129
	600	14	28	43	58	73	89	105	121	138	155
	700	16	33	50	68	85	104	122	142	161	181
	800	19	38	57	77	98	119	140	162	184	207
	900	21	42	64	87	110	133	157	182	207	233
	1000	23	47	72	96	122	148	175	202	230	259
	1100	26	52	79	106	134	163	192	222	253	285
	1200	28	57	86	116	146	178	210	243	276	311
	1300	30	61	93	125	159	193	227	263	299	337
	1400	33	66	100	135	171	207	245	283	322	362
	1500	35	71	107	145	183	222	262	303	345	388
	1600	37	75	114	154	195	237	280	324	368	414
1700	40	80	122	164	207	252	297	344	391	440	
1800	42	85	129	174	220	267	315	364	414	466	
1900	44	90	136	183	232	281	332	384	438	492	
2000	47	94	143	193	244	296	350	405	461	518	

4. BLOCS FONCTIONNELS

Le fonctionnement du détecteur peut être découpé en blocs suivants:

- Détection de mouvement
- Mesure de luminosité
- Canal éclairage/lumière ON/OFF
- Canal éclairage/lumière gradation absolue avec en option lumière résiduelle (stand-by)
- Canal CVC (indication de présence)
- Indicateur de dépassement de seuil lumineux
- 2 canaux de régulation constante de lumière

La détection de mouvement et la mesure de luminosité agissent indépendamment sur le canal éclairage/lumière et le canal CVC.

La fonction de régulation reçoit sa valeur de luminosité lux directement du capteur de luminosité. Le démarrage et l'arrêt de la gradation peuvent être commandés par l'objet 16 ou par la détection de mouvement sur le canal lumière ou sur le canal CVC.

Après une coupure de tension sur le bus KNX, le détecteur génère un allumage.

4.1. Canal éclairage / Lumière

Ce canal a deux modes de fonctionnement à choisir dans le menu « Mode de fonctionnement ».

The possible settings are:

- Automatique
- Semi-automatique

Les différences sont:

- Le mode automatique connaît 3 états: prêt, actif, passif
- Le mode semi-automatique connaît 2 états: prêt, actif
- Le mode semi-automatique n'allume pas la lumière après détection mais seulement après appui sur un poussoir.

4.1.1. OBJET 0 SORTIE – LUMIERE – COMMUTATION

← Sortie 1 bit

Dans ce mode de fonctionnement, toute détection de mouvements reconnue, entraîne un télégramme « ON » sur l'objet de sortie 0 et la minuterie démarre à ce moment-là.

La minuterie est réglable avec le paramètre « Minuterie ».

Après écoulement complet de la minuterie, un télégramme « OFF » est envoyé sur l'objet de sortie 0.

4.1.2. OBJET 0 SORTIE – LUMIERE – GRADATION

← SORTIE 1 Octet

Dans ce mode de fonctionnement, un télégramme en pourcentage de valeur (0% à 100%) pour la valeur « ON » et de même pour la valeur « OFF » est envoyé.

4.1.3. OBJET 0 SORTIE – LUMIERE – SCENE

← SORTIE 1 Octet

Pour la valeur objective « ON » et pour la valeur objective « OFF » il est possible de sélectionner une scène parmi 32.

4.1.4. OBJET 1 COMMANDE EXTERNE POUSSOIR / ETAT - LUMIERE – COMMUTATION

→ Entrée 1 Bit

L'objet entrant 1 „Commande externe poussoir / Etat" peut être utilisé de deux manières:

- comme entrée pour un bouton poussoir externe qui commande la lumière en direct
- comme entrée pour recevoir l'état ou l'information d'un actionneur extérieur

Dans les deux cas, la réception d'un télégramme à la valeur « ON » amène le détecteur dans l'état « lumière allumée » et un télégramme « OFF » dans l'état « Prêt ». La valeur du télégramme ON/OFF dépend du paramètre « Filtre de transmission de commutateur externe ».

Après réception du télégramme « ON », la minuterie démarre comme si un mouvement avait été détecté. Après écoulement complet de la minuterie, la lumière est éteinte.

Après réception du télégramme « OFF », le détecteur se met en mode passif et aucune détection ne peut se faire. Après écoulement complet de la durée de temps mort, le détecteur est à nouveau apte à détecter.

Cette durée est réglable avec le paramètre « Temps mort après extinction ».

4.1.5. OBJET 2 ENTREE MOUVEMENT EXTERIEUR – LUMIERE – COMMUTATION

→ Entrée 1 Bit

Via l'objet 2 « entrée mouvement extérieur-lumière-commutation » il est possible de « raccorder » un second détecteur. La réception de cette détection de mouvement sera traitée comme une détection interne au détecteur. C'est donc une liaison parallèle de deux détecteurs infrarouge. Dans le cas d'utilisation de détecteurs secondaires,

l'ensemble des sorties secondaires (← objet 0) sont liées à l'objet 2 (→ entrée) du détecteur maître correspondant.

4.1.6. OBJET 3 ENTREE LUMIERE – CONTROLE FORCE / VERROUILLAGE

→ Entrée 2 Bit

Cet objet peut prendre deux valeurs: Contrôle forcé ou Verrouillage.

Contrôle forcé:

Object 3 when used as forced control object has 3 values which can be received by a 2 bit command:

1. Contrôle forcé **ON** (control = 1, value = 1). Ceci émet inconditionnellement la valeur **ON** sur Objet 0 Sortie - Lumière. La temporisation Contrôle forcé démarre. Si aucun télégramme n'est reçu sur l'objet 3 et après écoulement complet de la durée, le fonctionnement normal est réactivé.
2. Contrôle forcé **OFF** (control = 1, value = 0). Ceci émet inconditionnellement la valeur **OFF** sur Objet 0 Sortie - Lumière. La temporisation Contrôle forcé démarre. Si aucun télégramme n'est reçu sur l'objet 3 et après écoulement complet de la durée, le fonctionnement normal est réactivé.
3. Contrôle forcé **AUTO** (control = 0, value = 0). Ceci entraîne le fonctionnement normal du détecteur.

Verrouillage:

L'objet 3 en tant que « verrouillage » connaît 2 valeurs (1 bit): 0 ou 1

La réaction sur la réception d'un télégramme sur cet objet est conditionnée par deux paramètres complémentaires. Lumière → Si objet de verrouillage = 0, et → Lumière. Si objet de verrouillage = 1

Les deux paramètres peuvent avoir les valeurs suivantes:

Both parameters can specify one of the following commands:

- Contrôle forcé ON
- Contrôle forcé OFF
- AUTO
- Verrouillage (état actuel)
- Aucune Action

Attention: en cas de réglage inappropriés tels que, Objet 3 = verrouillage, si 0 alors verrouillage et si 1 alors aucune action, temporisation Contrôle forcé OFF, le détecteur peut être totalement bloqué!

4.2. Canal CVC

← Sortie 1Bit

Le canal CVC possède les mêmes objets et modes de fonctionnement que le canal éclairage/lumière. Seule la détection de mouvements se trouve élargie. Le principe de la détection de mouvements devient une détection sur « longue durée ».

C'est le résultat d'une détection établie sur plusieurs fenêtres de durée égales d'observation. La détection finale est validée si au moins une détection a eu lieu dans chaque fenêtre d'observation.

Les paramètres sont:

- Nombre de fenêtres d'observation et Durée des fenêtres d'observation
- La durée totale d'observation est une combinaison des deux paramètres.

Indication de la présence

Le canal CVC peut être utilisé pour indiquer une présence dans la zone de surveillance et ce télégramme pourra être exploité par d'autres participants. La réaction la plus rapide est obtenue en réglant le nombre de fenêtres à 1 et la durée d'observation à 1 seconde. Le fonctionnement du canal CVC est indépendant de la luminosité.

4.2.1. OBJET 4 SORTIE - CVC – COMMUTATION

← Sortie 1Bit

L'objet 4 Sortie – CVC – Commutation est identique à l'objet 0 Sortie – Lumière – Commutation mais possède des options complémentaires (voir §3.3).

4.2.2. OBJET 5 COMMANDE EXTERNE POUSSOIR /ETAT - CVC

→ Entrée 1 Bit

Identique à l'objet 1.

4.2.3. OBJET 6 ENTREE MOUVEMENT EXTERIEUR – CVC

→ Entrée 1 Bit

Identique à l'objet 2..

4.2.4. OBJET 7 ENTREE CVC – CONTROLE FORCE

→ Entrée 2 Bit

Identique à l'objet 3.

4.2.5. OBJET 7 INPUT - ENTREE CVC – VERROUILLAGE

→ Entrée 1 Bit

Identique à l'objet 3.

4.3. Luminosité / interrupteur crépusculaire

Ce sous-menu a deux objets sortants: Valeur de luminosité et Interrupteur crépusculaire

1.1.1 25240 SG 300-3PIR > Luminosité	
Généralités	Transmission de la valeur de luminosité (lux) si changement de <input type="text" value="100 Lux"/>
Lumière	Transmission cyclique de la valeur de luminosité (lux) <input type="text" value="Off"/>
Lumière d'orientation / résidue...	Seuil de luminosité de l'interrupteur crépusculaire <input type="text" value="500 Lux"/>
CVC	Hystérésis <input type="text" value="50 Lux"/>
Luminosité	Valeur objet pour On <input type="radio"/> Off <input checked="" type="radio"/> On
Calibration de la valeur de lumi...	Valeur objet pour Off <input checked="" type="radio"/> Off <input type="radio"/> On
Paramétrage des capteurs PIR	Filtre de transmission <input type="text" value="On et Off"/>
Régulation de lumière constante	

4.3.1. OBJET 8 INTERRUPTEUR CREPUSCUALIRE – COMMUTATION

← Sortie 2 Octet

Cet objet sortant envoie une commande « ON » lorsque la luminosité mesurée dépasse la valeur saisie pour « Seuil de luminosité de l'interrupteur crépusculaire ». Lorsque la luminosité passe sous ce seuil minoré de la valeur d'hystérésis, une commande « OFF » est envoyée.

4.3.2. OBJET 9 VALEUR DE LUMINOSITE

← Sortie 2 Octet

Cet objet sortant envoie la valeur actuelle en lux de la luminosité mesurée (type de données 9.004 lux). Si nécessaire, effectuer une calibration AD de la valeur de luminosité pour être au plus près de la valeur réelle. L'envoi est conditionné par un changement supérieur à la valeur saisie pour « Transmission de la valeur de luminosité (lux) si changement de ». En plus de l'envoi conditionné par une variation, l'envoi inconditionnel peut être cyclique avec une période correspondante à la valeur saisie pour « Transmission cyclique de la valeur de luminosité (lux) ». Si la valeur OFF est saisie, il n'y a pas d'envoi cyclique.

4.4. Valeur de calibration AD

← Sortie 2 Octet

Cet objet n'émet pas spontanément, il ne peut qu'être lu volontairement. Sa valeur absolue 16 Bit représente la valeur actuelle de calibration AD pour la mesure de luminosité.

La mesure de luminosité peut être calibrée de la façon suivante:

1. A l'aide d'un luxmètre, mesurer la lumière environnante :

- Avec le détecteur à son emplacement définitif, poser le luxmètre sur la table pour avoir une correspondance avec les lux sur le plan de travail ;
- Avec le détecteur à son emplacement définitif, ou plus simplement avec le détecteur à plat sur une surface régulière, poser le luxmètre à côté du détecteur pour avoir une correspondance avec les lux réels ;

Cette valeur sera alors la valeur de lux de référence. Prévoir une tolérance de ± 20 lux.

Exemple : 150 lux.

2. Lire au même moment la valeur de calibration AD (objet 10) dans le logiciel ETS.

Dans le menu « Propriétés de l'objet » utiliser le Type de données **7.001 pulses**. Lire la valeur AD ainsi reçue.

Exemple : 127 pulses.

3. Saisir les deux valeurs « valeur de lux » et « valeur de calibration AD » dans le sous-menu « Calibration de la valeur de luminosité »

1.1.1 25240 SG 300-3PIR > Calibration de la valeur de luminosité		
Généralités	Calibrage de capteur de luminosité	Calibration personnalisée
Lumière	Valeur de calibration AD	127
Lumière d'orientation / résidue...	Valeur de lux	150
CVC		
Luminosité		
Calibration de la valeur de lu...		
Paramétrage des capteurs PIR		
Régulation de lumière constante		

4.5. OBJETS POUR LA REGULATION DE LUMIERE CONSTANTE

4.5.1. OBJET 16 REGULATION CONSTANTE DE LA LUMIERE ON/OFF

→ Entrée 1 Bit

Cet objet reçoit une commande pour actionner ou non la régulation constante de lumière.

Il est possible de donner la consigne d'activation via le paramètre Commuter la régulation avec et de saisir le détecteur de mouvements.

4.5.2. OBJET 17 LUMIERE CONSTANTE – GRADATION RELATIVE

→ Entrée 4 Bit

Cet objet reçoit une commande pour modifier la valeur de gradation relative en % par pas de 1%.

La fixation du nouveau seuil de régulation se fait alors confortablement avec un poussoir KNX.

La nouvelle valeur de luminosité peut être affichée sur un panneau de contrôle KNX via la lecture de l'objet 9 « Valeur de luminosité ».

Important: dans le menu « Gradation » il est possible via « Enregistrer le nouveau seuil après » d'indiquer un délai de prise en compte du seuil réglé manuellement. Après écoulement de ce délai, la nouvelle valeur est enregistrée dans la mémoire RAM (pas la mémoire Flash).

Attention: ce nouveau seuil lumineux reste temporairement dans la mémoire RAM tant que des mouvements sont détectés. Après désactivation (minuterie écoulee) et réactivation (une personne pénètre dans la pièce sans éclairage) du canal éclairage, c'est le seuil saisi dans le logiciel ETS qui s'applique à nouveau.

Si le seuil de régulation défini manuellement par poussoir doit être conservé au-delà de la temporisation dans la mémoire RAM, il faut sélectionner la valeur « oui » pour « Mémoriser la valeur modifiée » (voir §3.7).

4.5.3. OBJET 18 LUMIERE CONSTANTE – GRADATION ABSOLUE

→ Entrée 1 Octet

Cet objet reçoit la valeur cible de gradation en % du maximum.

4.5.4. OBJET 20 LUMIERE CONSTANTE – CONTROLE FORCE

→ Entrée 1 Bit

A réception des valeurs ON ou OFF, la réaction est fonction des paramètres Contrôle forcé pour ON, pour OFF. Les réglages sont: aucune réaction, luminosité minimum, luminosité maximum.

4.5.5. OBJET 21 LUMIERE CONSTANTE – SCENE

→ Entrée 1 Octet

Cet objet peut recevoir une valeur de scène parmi un total de 8 scènes pré-réglées. Chaque scène peut recevoir la valeur OFF en plus d'une valeur de luminosité de 10 lux à 2000 lux.

4.5.6. OBJET 22 LUMIERE CONSTANTE – SORTIE CANAL 1

← Sortie 1 Octet

Cet objet commande la gradation absolue du canal 1 en %.

4.5.7. OBJET 23 LUMIERE CONSTANTE – SORTIE CANAL 2

← Sortie 1 Octet

Cet objet commande la gradation absolue du canal 2 avec un écart ou offset par rapport au canal 1.

4.5.8. OBJET 24 LUMIERE D'ORIENTATION – CHOIX DES VALEURS STAND-BY

← Sortie 1 BIT

Cet objet permet de décider quelle paire de valeurs de lumière « stand-by » est prise en compte (voir §3.2.3).
Si objet 24 = 0 (ou n'est pas reçu) alors la paire 1 est choisie ; si objet 24 = 1 alors la paire 2 est choisie.

5. PROGRAMMVERSION 2.7

La version 2.7 intègre des fonctions supplémentaires et des améliorations de certaines fonctions présente dans la version 2.4.
Les valeurs par défauts des paramètres ont été changées dans la version 2.7 par rapport à 2.4 dans le but d'offrir la meilleure et la plus sûr des configurations par défaut pour une première prise en main d'un détecteur.
Les anciens produits intégrant le firmware en version 2.4 sont programmables avec le programme d'application version 2.7 mais n'auront pas les fonctions et les objets de communication supplémentaires.

5.1. EVOLUTION POUR LA VERSION 2.7

- Fonction de gradation lors d'une régulation de luminosité constante §5.2.2
- Minuterie lors du mode semi-automatique §5.3.3
- Fonction stand-by §5.3.4
- Adaptation du capteur crépusculaire §5.3.5
- Comportement lors du démarrage §5.3.1
- Objet de verrouillage du mode Détecteur secondaire §5.2
- Limite supérieure de luminosité automatique pour l'extinction §5.3.2
- Modification de paramètres via un objet de communication §5.2.1
- Voyant de contrôle LED (vert)>> Tant que le détecteur détecte un mouvement, le voyant clignote à une fréquence de 0,5 Hz

5.2. OBJETS DE COMMUNICATION V.2.7

- Objet entrant
- ← Objet sortant

Objet		Fonction	Utilisation/Liaison avec:	Bit/Octet
0	←	Sortie - Lumière (commutation)	Actionneur groupe de luminaires	1 Bit
0	←	Sortie - Lumière (gradation absolue)	Actionneur groupe de luminaires	1 Octet
0	←	Sortie - Lumière (scène)	Actionneur groupe de luminaires	1 Octet
1	→	Entrée commande extérieure - Lumière (commutation)	Poussoir KNX, écran de contrôle, logique	1 Bit
2	→	Entrée mouvement extérieur - Lumière (commutation)	Sortie lumière détecteur secondaire (objet de sortie 0)	1 Bit
3	→	Entrée - Lumière (contrôle forcé)	Module logique extérieur	2 Bit
3	→	Entrée - Lumière (verrouillage)	Poussoir KNX, écran de contrôle, logique	1 Bit
4	←	Sortie - CVC (commutation)	<ul style="list-style-type: none"> • Actionneur pour CVC (Climatisation, Ventilation, Chauffage) • Commande de logique d'alarme • Indication de présence 	1 Bit
5	→	Entrée commande extérieure - CVC (commutation)	Poussoir KNX, écran de contrôle, logique	1 Bit
6	→	Entrée mouvement extérieur - CVC (commutation)	Sortie CVC détecteur secondaire (objet de sortie 4)	2 Octet
7	→	Entrée - CVC (contrôle forcé)	Module logique extérieur	2 Bit
7	→	Entrée - CVC (verrouillage)	Poussoir KNX, écran de contrôle, logique	1 Bit
8	←	Dépassement de seuil lumineux (commutation)	Logique, Actionneur	1 Bit
9	←	Valeur directe de luminosité en Lux	Logique, écran de contrôle	2 Octet
10	←	Valeur de calibration AD	Lecture de la valeur interne et saisie manuelle de la valeur de luminosité lue en réel au luxmètre	2 Octet
16	→	Régulation constante de lumière - ON/OFF	Poussoir KNX, écran de contrôle, logique	1 Bit
17	→	Régulation constante de lumière - Gradation relative	Poussoir KNX, écran de contrôle, pour gradation manuelle	4 Bit
18	→	Régulation constante de lumière - Gradation absolue	Logique	1 Octet
20	→	Régulation constante de lumière - Contrôle forcé	Poussoir KNX, logique	1 Bit
21	→	Régulation constante de lumière - Scène	Logique	1 Octet
22	←	Régulation constante de lumière – Sortie canal 1	Actionneur gradation luminaires gr. 1	1 Octet
23	←	Régulation constante de lumière – Sortie canal 2	Actionneur gradation luminaires gr. 2	1 Octet
24	→	Lumière résiduelle/d'orientation temporisée / Stand-by	Permutation des « paires Stand-by »	1 Bit

5.2.1. Objets de communication en mode Détecteur secondaire

Objet		Fonction	Utilisation/Liaison avec:	Bit/Octet
0	←	Sortie - Lumière (commutation)	Détecteur maître	1 Bit
3	→	Entrée - Lumière (verrouillage)	Poussoir KNX, écran de contrôle, logique	1 Bit

Verrouillage:

→ Entrée 1 Bit

L'objet 3 en tant que « verrouillage » connaît 2 valeurs (1 bit): 0 ou 1

Si objet de verrouillage = 0, Sortie Lumière (objet 0) → AUTO (mode normal)

Si objet de verrouillage = 1, Sortie Lumière (objet 0) → VERROUILLEE, lors de la reconnaissance de mouvements, aucun télégramme n'est envoyé par le détecteur

5.2.2. OBJET 11 ET 12 MODIFICATION DYNAMIQUE DES VALEURS

→ Entrée 2 octet

← Sortie 2 octet

Les objets 11 et 12 permettent une modification directe des paramètres associés, respectivement la minuterie et le seuil de luminosité sous lequel le détecteur est actif, ainsi qu'une lecture de ces valeurs.

Ces entrées permettent donc, via des composants externes (poussoir, écran de contrôle, logique) d'influencer directement le fonctionnement du détecteur sans passer par une programmation via ETS.

Exemple : le seuil crépusculaire peut être ajusté à certaines périodes de la journée ou selon le besoin de l'utilisateur.

Après un reset du bus ou une nouvelle programmation, ce sont à nouveau les valeurs programmées via ETS qui sont effectives.

5.2.3. Objet 14 LUMIERE CONSTANTE – GRADATION FORCEE

→ Entrée 4 bit

Lorsque la régulation constante est démarrée via une détection ou un ordre externe ON (objet 16), celle-ci est effective tant qu'il y a détection de mouvements ou tant que la minuterie est active.

La valeur présente à la sortie de la régulation constante de lumière (objet 22) peut alors être modifiée manuellement via un poussoir KNX.

Après désactivation (minuterie écoulee) ou un ordre OFF et réactivation (une personne pénètre dans la pièce sans éclairage) de la régulation constante, c'est le seuil saisi dans le logiciel ETS qui s'applique à nouveau.

5.3. PARAMETRES V.2.7

5.3.1. Mode fonctionnement / comportement au démarrage

Après mise en service ou retour de l'alimentation, le détecteur est tout d'abord inactif pour 60 secondes. Durant cette phase d'auto-calibration, aucun télégramme n'est envoyé par le détecteur. La sortie lumière peut être paramétrée durant cette phase de deux façons différentes en mode automatique, à savoir « aucune réaction » (lumière OFF) ou « lumière allumée pour 75 secondes ».

1.1.1 25240 SG 300-3PIR > Lumière		
Généralités	Mode opératoire du détecteur	Automatique (pas de réaction après un redémarrage)
Lumière	Voyant vert témoin	Automatique (pas de réaction après un redémarrage) ✓
Lumière d'orientation / résiduel...	Durée d'activation - Minuterie	Semi-automatique
CVC	Seuil de luminosité sous lequel le détecteur est actif	Automatique (lumière allumée pour 75s redémarrage)
Luminosité	Seuil de luminosité au-dessus duquel la sortie est coupée d'office	Off
Calibration de la valeur de lumi...	Objet de contrôle forcé ou objet de verrouillage	<input type="radio"/> Objet de contrôle forcé <input checked="" type="radio"/> Objet de verrouillage
Paramétrage des capteurs PIR	Si objet de verrouillage = 0	Automatique
Régulation de lumière constante	Si objet de verrouillage = 1	Contrôle forcé Off
	Type d'objet pour Sortie - Lumière	Gradation absolue
	Valeur objet pour On	100%
	Valeur objet pour Off	0
	Filtre de transmission de l'objet de sortie	On et Off
	Filtre de transmission de commutateur externe	On et Off
	Temps mort après extinction	1 s

5.3.2. Adaptation automatique du seuil d'extinction

En sélectionnant « automatique » dans le paramètre « Seuil de luminosité au-dessus duquel la sortie est coupée d'office », le détecteur calcule la limite de la façon suivante.

Si la valeur de luminosité (après 1 minute d'allumage ; valeur C) est finalement supérieure à la valeur saisie pour le paramètre « Seuil de luminosité sous lequel le détecteur est actif » (valeur A), la valeur calculée pour le « Seuil de luminosité au-dessus duquel la sortie est coupée d'office » (valeur B) est celle de la valeur A +10% + 200 lx.

Si la valeur de luminosité (après 1 minute d'allumage ; valeur C) est finalement inférieure à la valeur saisie pour le paramètre « Seuil de luminosité sous lequel le détecteur est actif » (valeur A), la valeur calculée pour le « Seuil de luminosité au-dessus duquel la sortie est coupée d'office » (valeur B) est celle de la valeur C +10% + 200 lx.

1.1.1 25240 SG 300-3PIR > Lumière

Généralités	Mode opératoire du détecteur	Automatique (pas de réaction après un redémarrage)
Lumière	Voyant vert témoin	<input type="radio"/> Off <input checked="" type="radio"/> Si mouvement
Lumière d'orientation / résidue...	Durée d'activation - Minuterie	1 min
CVC	Seuil de luminosité sous lequel le détecteur est actif	toujours
Luminosité	Seuil de luminosité au-dessus duquel la sortie est coupée d'office	Off
Calibration de la valeur de lumi...	Objet de contrôle forcé ou objet de verrouillage	Off <input checked="" type="checkbox"/>
Paramétrage des capteurs PIR	Si objet de verrouillage = 0	10 Lux
Régulation de lumière constante	Si objet de verrouillage = 1	20 Lux
	Type d'objet pour Sortie - Lumière	40 Lux
	Valeur objet pour On	60 Lux
	Valeur objet pour Off	80 Lux
	Filtre de transmission de l'objet de sortie	100 Lux
	Filtre de transmission de commutateur externe	120 Lux
	Temps mort après extinction	140 Lux
		160 Lux
		180 Lux
		200 Lux
		220 Lux
		240 Lux
		260 Lux
		280 Lux
		300 Lux
		320 Lux

Après désactivation (minuterie écoulée) ou un ordre OFF et réactivation (une personne pénètre dans la pièce sans éclairage) ou un ordre ON, la valeur « Seuil de luminosité au-dessus duquel la sortie est coupée d'office » est recalculée.

Attention : lors de l'utilisation de valeurs de lux fixes, le « Seuil de luminosité au-dessus duquel la sortie est coupée d'office » doit toujours être supérieur au « Seuil de luminosité sous lequel le détecteur est actif ».

5.3.3. Minuterie dans le cas du mode semi-automatique

Si la valeur de luminosité dépasse le « Seuil de luminosité au-dessus duquel la sortie est coupée d'office » durant l'écoulement de la minuterie, la sortie lumière (objet 0 / objet 22) est coupée mais pas la minuterie. Si la valeur de luminosité repasse sous le « Seuil de luminosité sous lequel le détecteur est actif », la sortie lumière est activée pour le temps restant sur la minuterie.

5.3.4. Stand-by

Les valeurs de stand-by du §3.2.3 sont complétées par la valeur « indéfiniment » pour la durée de stand-by.

Cette valeur permet alors d'avoir une lumière minimum en continu.

Si la valeur de luminosité dépasse le « Seuil de luminosité au-dessus duquel la sortie est coupée d'office » durant le stand-by, la sortie lumière (objet 0) est coupée.

Si la valeur de luminosité repasse sous le « Seuil de luminosité sous lequel le détecteur est actif », la sortie lumière est à nouveau activée avec les paramètres de la fonction stand-by qui sont programmés.

1.1.1 25240 SG 300-3PIR > Lumière d'orientation / résiduelle - Stand-by

Généralités	Valeurs résiduelles - Stand-by	<input checked="" type="radio"/> Actif <input type="radio"/> Inactif
Lumière	Durée d'activation - Stand-by 1	1 h
Lumière d'orientation / résid...	Stand-by Valeur 1	80%
CVC	Durée d'activation - Stand-by 2	50 min
Luminosité	Stand-by Valeur 2	Off
Calibration de la valeur de lumi...		1 min
Paramétrage des capteurs PIR		2 min
Régulation de lumière constante		5 min
		10 min
		20 min
		30 min
		40 min
		50 min <input checked="" type="checkbox"/>
		1 h
		2 h
		4 h
		8 h
		Indéfiniment

5.3.5. Calibration du capteur de luminosité

Calibration de la valeur de luminosité	<p>1.1.1 25240 SG 300-3PIR > Calibration de la valeur de luminosité</p> 
Calibration d'usine	La calibration usine est active (valeur par défaut) Retour à la calibration d'usine: ceci est à tout moment possible en sélectionnant la valeur et en reprogrammant le détecteur.
Calibration	Par le choix de cette valeur, les fenêtres suivantes s'ouvrent.
Valeur de calibration AD (si calibration = oui)	Lire la valeur dans le logiciel ETS (objet de communication 10) et la copier dans cette fenêtre. Attention: dans le menu Propriétés de l'objet utiliser le Type de données 7.001 pulses . Lire la valeur AD ainsi reçue (exemple : 127 pulses).
Valeur de lux (si calibration = oui)	Choisir cette option après avoir fait une calibration manuelle pour indiquer qu'une calibration spécifique a eu lieu et fermer les deux fenêtres précédente par mesure de sécurité
Garder la valeur calibrée	Pour plus de détails se référer à la description de l'objet „Calibration AD" §4.4

INHALT

1. Funktionsbeschreibung	37
1.1 Modelle Übersicht	37
1.2 Abmessungen	37
2. Kommunikationsobjekte	38
3. Parameter	38
3.1. Allgemein	38
3.2. Sekundär-Melder Modus	39
3.3. Licht Schalten	39
3.4. HLK	41
3.5. Helligkeit/Schwellwertschalter	42
3.6. Kalibrierung Helligkeitswert	42
3.7. Auswertung PIR	43
3.8. Konstantlichtregelung	44
3.9. Konstantlicht Parameter	44
4. Funktionale Blöcke	46
4.1. Lichtsteuerkanal	46
4.2. HLK Kanal	47
4.3. Helligkeit – Schwellwertschalter	47
4.4. AD Kalibrierwert	48
4.5. Objekte zur Konstantlichtregelung	48
5. Programmversion 2.7	49
5.1. Übersicht der Änderungen	49
5.2. Kommunikations-Objekte	49
5.3. Parameter	50

1. FUNKTIONSBESCHREIBUNG

Das **SWISS GARDE SG300 KNX/KLR** Präsenzmelder Modell (25240) ist für Innen- Wandmontage vorgesehen.
 Die **SWISS GARDE SG300 KNX/KLR IP55 UP/AP Modelle** (25241, 25242) eignen sich vorzüglich für Aussen-Wandmontage mit erweitertem Temperaturbereich.
 Beim Modell SG300 KNX/KLR gibt es je ein Modell für den Deutschen Markt mit abgerundeter Abdeckplatte (25240D) und ein Modell für den Schweizer Markt mit eckiger Abdeckplatte (25240 CH, Typ Feller Edizio).
 Die Geräte basieren auf einem modernen 16-Bit Microcontroller mit internem Flash Speicher und einem integriertem KNX Bus-Ankoppler.
 Drei Pyro-Detektoren und eine hochauflösende Linse erfassen kleinste Bewegungen. Die 3 PIR Sensoren sind einzeln oder in Gruppen aktivierbar.
 Alle Modelle für Innen- und Aussenmontage können als **Master-** oder **Sekundärgerät** parametrierbar werden.
 Die Melder besitzen eine zusätzliche 2-Kanal Konstantlichtregelung mit parametrierbarem Offset von - 50% bis + 50% und einen weiteren **Lichtkanal** für Schalten, Dimmen oder Szenenauswahl.
 Ein **zusätzlicher** Kanal (unabhängig vom Umgebungslicht) kann für HLK Steuerungen, **Alarmsysteme** oder als **Präsenzdetektion** verwendet werden.
 Die Applikationsbeschreibung gilt für Geräte mit der **Programmversion 2.4**. Funktionserweiterungen und Änderungen ab **Programmversion 2.7** werden im Kapitel 5 beschrieben.



Art.-Nr. 25241

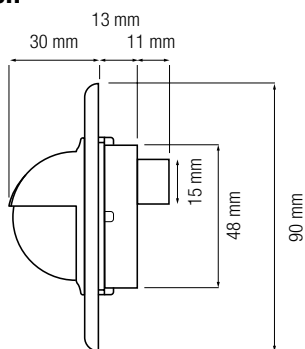


Art.-Nr. 25240 CH

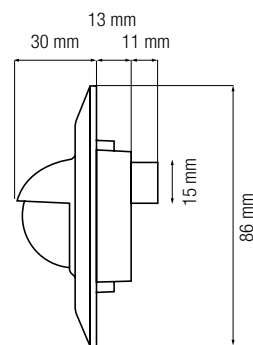
1.1. Modelle Übersicht

Beschreibung	colour	E-No.	EAN-Nr.	Art.-Nr
Swiss Garde 300 Presence KNX/KLR UP	weiss	305 401 209	3505100252405	25240 CH
Swiss Garde 300 Presence KNX/KLR UP	weiss	305 401 209	3505100252405	25240 D
Swiss Garde 360 Presence KNX/KLR IP55 UP	weiss	305 401 309	3505100252412	25241
Swiss Garde 360 Presence KNX/KLR IP55 AP	weiss	205 401 309	3505100252429	25242
Swiss Garde 300 Präsenzmelder, KNX/KLR, STANDARDdue Ø50	weiss	305 401 219	3505100252511	25251 CH
Swiss Garde 300 Präsenzmelder, KNX/KLR, STANDARDdue Ø50	schwarz	305 401 819	3505100252528	25252 CH

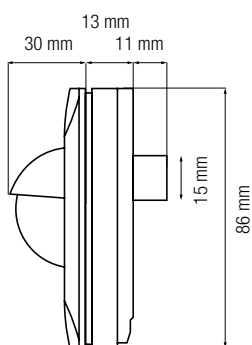
1.2. Abmessungen



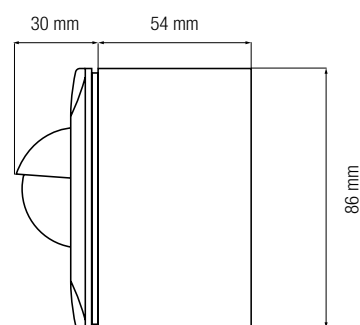
Art.-Nr. 25251CH/25251CH



Art.-Nr. 25240 CH



Art.-Nr. 25241



Art.-Nr. 25242

2. KOMMUNIKATIONSOBJEKTE

→ Eingangsobjekt
← Ausgangsobjekt

Objekt		Funktion	Anwendung verknüpfen mit:	Bit/Byte
0	←	Ausgang - Licht (Dimmen absolut)	Aktor Lichtgruppe	1 Byte
0	←	Ausgang - Licht (Schalten)	Aktor Lichtgruppe	1 Bit
0	←	Ausgang - Licht (Szene)	Aktor Lichtgruppe	1 Byte
1	→	Eingang externer Schalter / Status - Licht (Schalten)	KNX Taster, Touchdisplay, Logik	1 Bit
2	→	Eingang externe Bewegung - Licht (Schalten)	Ausgang Licht Sekundär-Melder (Ausgangsobjekt. 0)	1 Bit
3	→	Eingang - Licht (Zwangsführung)	• Externer Logikbaustein	2 Bit
3	→	Eingang - Licht (Sperren)	KNX Taster, Touchdisplay, Logik	1 Bit
4	←	Ausgang - HLK (Schalten)	• Aktoren für HLK Geräte wie Heizung, Lüftung, Klima • Ansteuerung von Alarmlogiken • Präsenzfunktion	1 Bit
5	→	externer Schalter / Status - HLK (Schalten)	KNX Taster, Touchdisplay, Logik	1 Bit
6	→	externe Bewegung - HLK (Schalten)	Ausgang HLK Sekundär-Melder (Ausgangsobjekt. 4)	2 Byte
7	→	Eingang - HLK (Zwangsführung)	Externer Logikbaustein	2 Bit
7	→	Eingang - HLK (Sperren)	KNX Taster, Touchdisplay, Logik	1 Bit
8	←	Schwellwertschalter Helligkeit (Schalten)	Logik, Aktor	1 Bit
9	←	Helligkeitswert in Lux	Logik, Touchdisplay	2 Byte
10	←	AD Kalibrierwert	Auslesen und anschließend manuell eingeben beim Kalibrierungsvorgang	2 Byte
16	→	Konstantlicht Schalten Ein/Aus	KNX Taster, Logik	1 Bit
17	→	Konstantlicht Dimmen relativ	4 Bit-Dimmobjekt von KNX Taster für EIN/AUS, dimmen rauf und runter Touchdisplay	4 Bit
18	→	Konstantlicht Dimmen absolut	Logik	1 Byte
20	→	Konstantlicht Zwangsführung	KNX Taster, Logik	1 Bit
21	→	Konstantlicht Szene	Logik	1 Byte
22	←	Konstantlicht Kanal 1 - Ausgang	Dimm-Aktor für Lichtgruppe 1	1 Byte
23	←	Konstantlicht Kanal 2 - Ausgang	Dimm-Aktor für Lichtgruppe 2	1 Byte
24	→	Licht - Standby	Umschalten der Standby Wertepaare	1 Bit

3. PARAMETER

Für die Einstellung der Parameter ist das Gerät Swiss Garde 300 Präsenz KNX/KLR im Projektierungs- oder Inbetriebnahme-Modus zu markieren und über den Menüpunkt Bearbeiten oder das Kontextmenü (rechte Maustaste) der Befehl Parameter auszuwählen. Es öffnet sich das Fenster Parameter bearbeiten... mit mehreren Unterfenstern

3.1. Allgemein

1.1.1 25240 SG 300-3PIR > Allgemein

Allgemein

Meldertyp Master Slave

Licht Rückfallzeit Zwangsführung

HLK

Helligkeit

Abgleichung Helligkeitswert

Auswertung PIR

Konstant Licht

Meldertyp	Hier wird die Funktion des Melders als Master oder als Sekundargerät (Slave) eingestellt.
Rückfallzeit Zwangsführung	Im Menu Rückfallzeit Zwangsführung kann der Wert „AUS“ oder eine Zeit von 5 min bis 9 h ausgewählt werden. Dieser Parameter definiert die Zeit, welche verstreichen muss, damit sich der Melder wieder selbständig auf AUTO Betrieb einstellt, nachdem ein Befehl AUS oder EIN gesendet worden ist.

3.2. Sekundär-Melder Modus

1.1.1 25240 SG 300-3PIR > Slave-Modus

Allgemein	LED grün <input checked="" type="radio"/> AUS <input type="radio"/> Bei Bewegung
Slave-Modus	
Auswertung PIR	Objektwert <input type="radio"/> AUS <input checked="" type="radio"/> EIN
	Totzeit nach Ausschalten <input type="text" value="5 s"/>
	Zyklisch senden <input type="text" value="5 s"/>

Sekundär-Melder Modus (Slave Modus)	In den Sekundär-Melder-Modus gelangt man vom Menu Allgemein aus: Beim Meldertyp <i>Slave</i> anklicken und es erscheint das Menu Slave-Modus . Die „Nachlaufzeit“ des Sekundargerätes ist auf 30 s fix eingestellt.
LED grün	Für Testzwecke kann die grüne LED bei Bewegung aktiviert werden
Objektwert	Wählbar EIN oder AUS
Totzeit nach Ausschalten	Totzeit nach Ausschalten parametrierbar von 1...60 Sekunden. Defaultwert ist 5 s
Zyklisch senden	Zyklisch senden kann von 1 s bis 4 h oder auf Aus eingestellt werden. Wir empfehlen das Zyklisch senden immer eingeschaltet zu lassen! Defaultwert ist 5 s
Auswertung PIR	
Aktive Sensoren	Die 3 PIR Sensoren sind einzeln oder in Gruppen aktivierbar. Die Nummern 1,2,3 entsprechen den Positionen 1,2,3 gemäss Abbildung: Nummerierung PIR Sensoren auf §3.6.
Empfindlichkeitseinstellung	Die Empfindlichkeit kann von 1 bis 10 eingestellt werden. Default Wert ist 5

3.3. Licht - Schalten

1.1.1 25240 SG 300-3PIR > Licht

Allgemein	Betriebsart des Melders <input type="text" value="Vollautomat (Keine Reaktion nach Aufstarten)"/>
Licht	LED grün <input type="radio"/> AUS <input checked="" type="radio"/> Bei Bewegung
HLK	Nachlaufzeit <input type="text" value="1 min"/>
Helligkeit	Helligkeit unterhalb welcher Sensor aktiv ist <input type="text" value="Immer"/>
Abgleichung Helligkeitswert	Helligkeit überhalb welcher ausgeschaltet wird <input type="text" value="AUS"/>
Auswertung PIR	Zwangsführungsobjekt oder Sperrobjekt <input type="radio"/> Zwangsführungsobjekt <input checked="" type="radio"/> Sperrobjekt
Konstant Licht	Bei Sperrobjekt = 0 <input type="text" value="AUTO"/>
	Bei Sperrobjekt = 1 <input type="text" value="Zwangsführung AUS"/>
	Objekttyp für Ausgang - Licht <input type="text" value="Schalten"/>
	Objektwert für EIN <input type="radio"/> AUS <input checked="" type="radio"/> EIN
	Objektwert für AUS <input checked="" type="radio"/> AUS <input type="radio"/> EIN
	Sendebedingung für Schaltobjekt <input type="text" value="EIN und AUS"/>
	Sendebedingung bei externem Taster <input type="text" value="EIN und AUS"/>
	Totzeit nach Ausschalten <input type="text" value="1 s"/>
	Zyklisch senden <input type="text" value="Aus"/>

Betriebsart des Melders	Stellt die Betriebsart Vollautomat oder Halbautomat ein.
LED grün	Diese LED kann bei Bewegungsdetektion aufblinken oder ausgeschaltet bleiben.
Nachlaufzeit	Die Nachlaufzeit des Lichtkanals kann von 1 s bis 4 h eingestellt werden.
Helligkeit unterhalb welcher Sensor aktiv ist	Hier wird der Dämmerungswert von 10 Lux bis 2000 Lux eingestellt. Wichtig: Soll der Lichtkanal immer aktiv bleiben (auch bei Werten > 2000 Lux) muss hier als Parameter immer gewählt werden.
Helligkeit überhalb welcher ausgeschaltet wird	Maximaler Lux Wert bei welchem automatisch ausgeschaltet wird, auch wenn die Nachlaufzeit noch nicht abgelaufen ist. Default Wert ist AUS .
Zwangsführungsobjekt oder Sperrobject	Damit wird der Typ des Objekts 3 eingestellt. Siehe auch: Objekt 3 Eingang - Licht – Zwangsführung / Sperren auf §3.6..
Bei Sperrobject = 0	Auswahl einer Aktion welche bei Empfang einer 0 ausgeführt wird
Bei Sperrobject = 1	Auswahl einer Aktion welche bei Empfang einer 1 ausgeführt wird
Objekttyp für Ausgang-Licht	Damit wird der Typ des Objekts 0 eingestellt. Zur Auswahl stehen: Schalten, Dimmen absolut, Scene (= Szene)
Objektivwert für EIN bei: Objekttyp Licht = Schalten Objekttyp Licht = Dimmen Objekttyp Licht = Scene	Auswahl EIN oder AUS (EIN ist Default Wert) Dimmwert wählen von 0% bis 100% Wählen von Szene 1 bis Szene 32
Objektivwert für AUS bei: Objekttyp Licht = Schalten Objekttyp Licht = Dimmen Objekttyp Licht = Scene	Auswahl AUS oder EIN (AUS ist Default Wert) Dimmwert wählen von 0% bis 100% Wählen von Szene 1 bis Szene 32
Sendebedingung für Schaltobjekt	Sendefilter für Ausgangsobjekt 0: Ausgang – Licht – Schalten Auswahl: Ein und AUS weder EIN noch AUS; nur EIN; nur AUS
Totzeit nach Ausschalten	Auswahl: Ein und AUS weder EIN noch AUS; nur EIN; nur AUS
Idle time after switch off	Totzeit von 1 s bis 60 s parametrierbar. Anwendungen: Verhinderung von fälschlichem Wiedereinschalten bei: <ul style="list-style-type: none"> • Abkühlenden Leuchtkörpern. • Verlassen des Raumes nach Ausschalten über KNX-Taster.
Zyklisch senden	Hier kann das Schaltsignal (Ausgangsobjekt 0) zyklisch gesendet werden. Einstellmöglichkeit über Parameter „Zyklisch senden“ (Aus, 1 s bis 4 Stunden)

3.3.1. Licht – Dimmen absolut

1.1.1 25240 SG 300-3PIR > Licht

Allgemein	Betriebsart des Melders	Vollautomat (Keine Reaktion nach Aufstarten) ▼
Licht	LED grün	<input type="radio"/> AUS <input checked="" type="radio"/> Bei Bewegung
Standbywerte	Nachlaufzeit	1 min ▼
HLK	Helligkeit unterhalb welcher Sensor aktiv ist	Immer ▼
Helligkeit	Helligkeit überhalb welcher ausgeschaltet wird	AUS ▼
Abgleichung Helligkeitswert	Zwangsführungsobjekt oder Sperrobject	<input type="radio"/> Zwangsführungsobjekt <input checked="" type="radio"/> Sperrobject
Auswertung PIR	Bei Sperrobject = 0	AUTO ▼
Konstant Licht	Bei Sperrobject = 1	Zwangsführung AUS ▼
	Objekttyp für Ausgang - Licht	Dimmen absolut ▼
	Objektivwert für EIN	100% ▼
	Objektivwert für AUS	0% ▼
	Sendebedingung für Schaltobjekt	EIN und AUS ▼
	Sendebedingung bei externem Taster	EIN und AUS ▼
	Totzeit nach Ausschalten	1 s ▼

Objekttyp für Ausgang - Licht	Dimmen absolut Bei dieser Einstellung wird die Standby Lichtfunktion aktiviert. Es erscheint die Option Standbywerte im Menu Licht. Durch anklicken von Standbywerte aktiv erscheinen die möglichen Optionen (siehe auf Seite 11).
-------------------------------	--

3.3.2. Licht - Standbywerte

1.1.1 25240 SG 300-3PIR > Standbywerte

Allgemein	Standbywerte	<input checked="" type="radio"/> aktiv <input type="radio"/> nicht aktiv
Licht	Stand By Dauer 1	1 h
Standbywerte	Stand By Wert 1	80%
HLK	Stand By Dauer 2	50 min
Helligkeit	Stand By Wert 2	75%
Abgleichung Helligkeitswert		
Auswertung PIR		
Konstant Licht		

Standbywerte	Hier kann die Orientierungslicht-Funktion aktiviert werden aktiv/inaktiv
Standby Dauer 1	Einstellung der Orientierungslicht 1. Zeitdauer in s, m, h
Standbywert 1	Einstellung der Lichtstärke in % (0...100%)
Standby Dauer 2	Einstellung der Orientierungslicht 2 Zeitdauer in s, m, h
Standbywert 2	Einstellung der Lichtstärke in % (0...100%)

Standby Licht (Orientierungslicht)

Falls der Lichtkanal auf Dimmen absolut eingestellt ist, erscheint ein neues Menu, auf der die Standby Funktionalität aktiviert werden kann. Es gibt je 2 Werte für die Dauer und die Lichtstärke des Standby - Betriebes. Nach Ablauf der Nachlaufzeit wird über das neue Objekt 24 → gesteuert, welches Wertepaar aktiv ist (Objektwert = 0 oder noch nichts empfangen Wertepaar 1, Objektwert = 1 Wertepaar 2).

Nach Ablauf des Standby - Betriebes wird der Objektwert für AUS gesendet. Durch Bewegung (bei Vollautomat) und Schalten wird der Melder wieder eingeschaltet und das Standby verlassen. Sperren und Zwangsführung heben den Standbybetrieb auf.

3.4. HLK

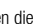
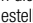
1.1.1 25240 SG 300-3PIR > HLK

Allgemein	Betriebsart des Melders	<input checked="" type="radio"/> Vollautomat <input type="radio"/> Halbautomat
Licht	LED	<input checked="" type="radio"/> AUS <input type="radio"/> Bei Bewegung
Standbywerte	Nachlaufzeit	5 min
HLK	Anzahl der Beobachtungszeitfenster	1
Helligkeit	Zwangsführungsobjekt oder Sperrobjekt	<input type="radio"/> Zwangsführungsobjekt <input checked="" type="radio"/> Sperrobjekt
Abgleichung Helligkeitswert	Bei Sperrobjekt = 0	AUTO
Auswertung PIR	Bei Sperrobjekt = 1	Zwangsführung AUS
Konstant Licht	Länge des Beobachtungszeitfensters (s)	1
	Objekttyp für Ausgang - HLK	Schalten
	Objektwert für EIN	<input type="radio"/> AUS <input checked="" type="radio"/> EIN
	Objektwert für AUS	<input checked="" type="radio"/> AUS <input type="radio"/> EIN
	Sendebedingung für Schaltobjekt	EIN und AUS
	Sendebedingung bei externem Taster	EIN und AUS
	Totzeit nach Ausschalten	1 s

	Alle Parameter sind identisch mit denen des Lichtkanals mit Ausnahme von:
Anzahl der Beobachtungs-zeitfenster	Die Anzahl der gewünschten Beobachtungszeitfenster kann von 1 bis 32 eingestellt werden.
Länge des Beobachtungs-zeitfensters (s)	Einstellbar von 1 s bis 30'0000 s (8.33h)
Achtung:	Einstellung für schnellste Reaktion des HLK-Kanals: Anzahl Beobachtungszeitfenster: 1 Länge des Beobachtungszeitfensters: 1 Sekunde
Präsenzfunktion	Obenstehende Parametrierung sollte für die Präsenzfunktion (Präsenzsignal ist unabhängig von der Umgebungshelligkeit) benutzt werden!


3.5. Helligkeit / Schwellwertschalter

1.1.1 25240 SG 300-3PIR > Helligkeit	
Allgemein	Senden des Lichtwertes bei Änderung um <input type="text" value="100 Lux"/>
Licht	Zyklisches Senden des Lichtwertes <input type="text" value="AUS"/>
Standbywerte	Wert für Schalten des Schwellwertschalters <input type="text" value="500 Lux"/>
HLK	Hysterese <input type="text" value="50 Lux"/>
Helligkeit	Objektwert für EIN <input type="radio"/> AUS <input checked="" type="radio"/> EIN
	Objektwert für AUS <input checked="" type="radio"/> AUS <input type="radio"/> EIN
Abgleichung Helligkeitswert	Sendefilter <input type="text" value="EIN und AUS"/>
Auswertung PIR	
Konstant Licht	

	Im Menu Helligkeit /Schwellwertschalter können die Parameter für die Ausgänge des Objekts 8  (Schwellwertschalter Helligkeit – Schalten , 1 bit) und des Objekts 9  (Helligkeitswert - Helligkeitswert, 2 Byte) eingestellt werden.
Senden des Lichtwertes bei Änderung um	Mit diesem Parameter kann der Lichtwert bei Überschreiten des eingestellten Schwellwertes + Änderung automatisch über das Objekt 9 (Helligkeitswert) gesendet werden. Werte von 10 Lux bis 1800 Lux und „AUS“ sind einstellbar. Der Wert der Änderung bezieht sich auf den eingestellten Schwellwert.
Zyklisches Senden des Lichtwertes	Werte von 5 s bis 30 min und „AUS“ parametrierbar
Wert für Schalten des Schwellwertschalters	Von 10 Lux bis 2000 Lux parametrierbar
Hysterese	Von 5 Lux bis 200 Lux sind parametrierbar
Objektwert für EIN	Auswahl: „EIN“ oder „AUS“
Objektwert für AUS	Auswahl: „AUS“ oder „EIN“
Sendefilter	Auswahl: „Ein und AUS“; „weder EIN noch AUS“; „nur EIN“; „nur AUS“

3.6. Kalibrierung Helligkeitswert

1.1.1 25240 SG 300-3PIR > Abgleichung Helligkeitswert	
Allgemein	Helligkeitssensor Abgleich <input type="text" value="Korrekturwert eingeben"/>
Licht	AD Kalibrierwert <input type="text" value="0"/>
Standbywerte	Luxwert <input type="text" value="0"/>
HLK	
Helligkeit	
Abgleichung Helligkeitswert	
Auswertung PIR	
Konstant Licht	

Kalibrierung	NEIN : Fabrikkalibrierung ist aktiv (Default Wert) Rücksetzung auf Fabrikkalibrierung: Dies ist jederzeit möglich mit der Einstellung NEIN und anschließender Neuprogrammierung des Melders. JA: bei dieser Option öffnen sich zwei weitere Fenster: AD Kalibrierwert und Luxwert.
AD Kalibrierwert	AD Kalibrierwert (Kommunikationsobjekt  10) in der ETS auslesen und im Fenster eintragen. Achtung: Im Menu Wert lesen/senden Typ 7.001 2 byte Zähler ohne Vorzeichen verwenden! Der gelesene AD Wert erscheint dann im Menu empfangener Wert als z.B. 739 Impulse
Luxwert	Mit Luxmeter Referenz-Helligkeit messen und im Fenster Luxwert eintragen
	Weitere Details siehe Objektbeschreibung AD Kalibrierwert

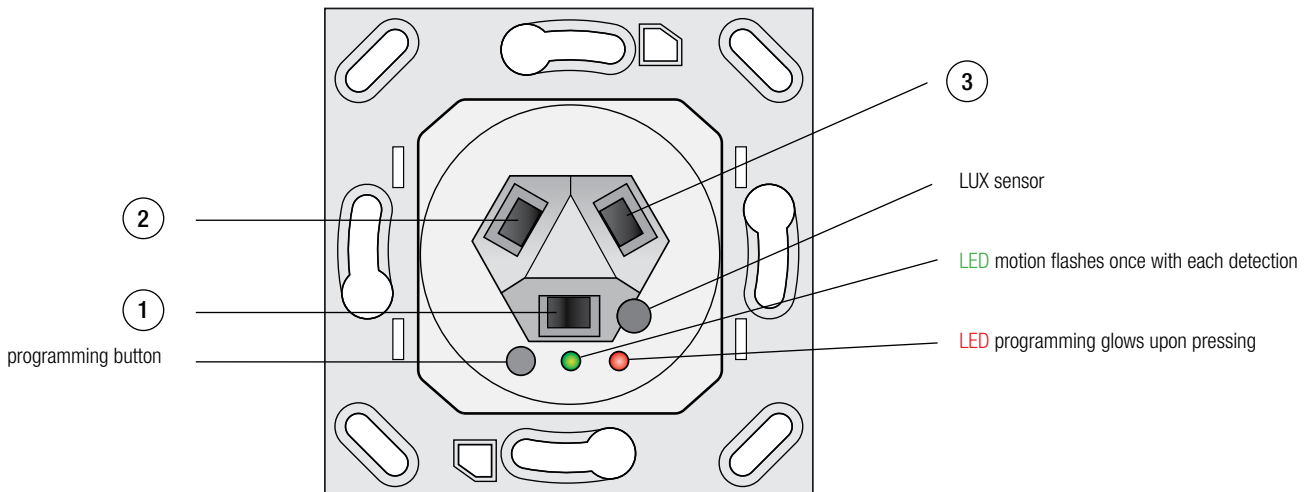
3.7. Auswertung PIR

1.1.1 25240 SG 300-3PIR > Auswertung PIR

Allgemein	Aktive Sensoren	123
Licht	Empfindlichkeitseinstellung 1 = min, 10 = max	5
Standbywerte		
HLK		
Helligkeit		
Abgleichung Helligkeitswert		
Auswertung PIR		
Konstant Licht		

Aktive Sensoren	Die 3 PIR Sensoren sind einzeln oder in Gruppen aktivierbar. Die Nummern 1,2,3, entsprechen den Positionen 1,2,3 gemäß Abbildung unten.
Empfindlichkeitseinstellung 1 = min, 10 = max	Die Empfindlichkeit kann von 1 bis 10 eingestellt werden. Default Wert ist 5

Numbering of the PIR sensors



Die PIR-Sensoren 1 2 3 können einzeln oder in zweier Gruppen aktiviert werden.
Die 3 Positionen der Pyrodetektoren sind in der Abbildung ersichtlich.

3.8. Konstantlichtregelung

1.1.1 25240 SG 300-3PIR > Konstant Licht

Allgemein	Konstant Licht Regler	<input type="radio"/> Ausgeschaltet <input checked="" type="radio"/> Eingeschaltet
Licht	Kanal 2 für Konstantlicht	<input type="radio"/> aktiv <input checked="" type="radio"/> nicht aktiv
Standbywerte	Voreingestellter Sollwert	300 lx
HLK	Sende Differenz	3%
Helligkeit	Konstantlich schalten mit	Bewegungsmelder Licht
Abgleichung Helligkeitswert	Zeit für zyklisches Senden	Kein zyklischess Senden
Auswertung PIR	Einschaltwert	70%
	Zeit nach Einschalten bis Beginn der Regelung	5 s
Konstant Licht		
	Zwangsführung bei Ein	Keine Reaktion
	Zwangsführung bei Aus	Keine Reaktion
	Zeit für relatives Dimmen	5 s
	Sollwert übernehmen nach	5 s
	Geänderten Sollwert im Flash speichern	<input checked="" type="radio"/> gesperrt <input type="radio"/> freigegeben
	Geänderten Wert beibehalten	<input checked="" type="radio"/> Nein <input type="radio"/> Ja
	Szene	<input checked="" type="radio"/> Ausgeschaltet <input type="radio"/> Eingeschaltet
	Totband	4

1.1.1 25240 SG 300-3PIR > Konstant Licht

Allgemein	Voreingestellter Sollwert	300 lx
Licht	Sende Differenz	3%
Standbywerte	Konstantlich schalten mit	Bewegungsmelder Licht
HLK	Zeit für zyklisches Senden	Kein zyklischess Senden
Helligkeit	Einschaltwert	70%
Abgleichung Helligkeitswert	Zeit nach Einschalten bis Beginn der Regelung	5 s
Auswertung PIR		
Konstant Licht		
	Zwangsführung bei Ein	Keine Reaktion
	Zwangsführung bei Aus	Keine Reaktion
	Zeit für relatives Dimmen	5 s
	Sollwert übernehmen nach	5 s
	Geänderten Sollwert im Flash speichern	<input checked="" type="radio"/> gesperrt <input type="radio"/> freigegeben
	Geänderten Wert beibehalten	<input checked="" type="radio"/> Nein <input type="radio"/> Ja
	Szene	<input type="radio"/> Ausgeschaltet <input checked="" type="radio"/> Eingeschaltet
	Szene 1	500 lx
	Szene 2	500 lx

3.9. Konstant Licht Parameter

Konstant Licht Regler	Dieser Parameter wählt für die ganze Konstantlichtregelung ob sie eingeschaltet oder ausgeschaltet ist.
Kanal 2 für Konstantlicht	Hier kann der Kanal 2 für Konstantlicht aktiviert werden aktiv/ nicht aktiv. Über das Ausgangsobjekt 23 wird ein mit festem Offset einstellbarer Wert gesendet.
Sende Differenz	Diese ist zwischen 1% und 100% änderbar. Dieser Wert bestimmt das Toleranzfenster welches überschritten werden muß, um einen neuen Helligkeitswert zu senden.
Voreingestellter Sollwert	Dieser in ETS voreingestellter Wert ist das Regelziel für die Konstantlichtregelung. Dieser Wert kann mit den Dimmobjekten 17 und 18 geändert werden.
Konstantlich schalten mit	Das Aktivieren der Konstantlichtregelung und somit das Einschalten des Lichts kann von 3 unterschiedlichen Quellen erfolgen, welche hier ausgewählt werden: Objekt → 16, Bewegungsmelder Licht, Bewegungsmelder HLK.
Zeit für zyklisches Senden	Bestimmt mit welcher Zykluszeit der letzte Helligkeitswert wiederholt wird auch wenn er sein Toleranzfenster nicht überschritten hat. Das zyklische Senden kann auch unterbunden werden.
Einschaltwert	Mit diesem Wert kann ein Einschaltwert von 1% bis 100% festgelegt werden.
Zeit nach Einschalten bis Beginn der Regelung	Mit diesem Parameter wird die Zeit eingestellt, welche nach dem Einschalten bis zum Beginn der Regelung vergehen muß.

Kanal 2, Offset *	Hier kann der Offsetbereich für Kanal 2 eingestellt werden von -50%, 0% bis +50%
Zwangsführung bei Ein	Mit diesem Parameter wird die Reaktion der Konstantlichtregelung auf den Empfang einer „1“ festgelegt. Einstellbare Werte sind: Keine Reaktion, Geringste Helligkeit, Grösste Helligkeit
Zwangsführung bei Aus	Mit diesem Parameter wird die Reaktion der Konstantlichtregelung auf den Empfang einer „0“ festgelegt. Einstellbare Werte sind: Keine Reaktion, Geringste Helligkeit, Grösste Helligkeit, letzter Wert
Zeit für relatives Dimmen	Mit diesem Parameter kann die Zeit für relatives Dimmen eingestellt werden.
Sollwert übernehmen nach	Mit diesem Parameter wird die Zeit eingestellt welche ohne Sollwertänderung vergehen muss um den neuen Sollwert dauerhaft zu übernehmen.
Geänderten Sollwert im Flash speichern	Mit diesem Parameter wird festgelegt ob der neue Sollwert im Flash den Default Sollwert überschreibt oder nicht.
Geänderten Wert beibehalten	Hier wird bei Ja der geänderte Wert im RAM gespeichert. Achtung: Jetzt entspricht der neue Sollwert der letzten neu eingediminten Helligkeit!
Szene (siehe Menu: Konstantlicht Szenen)	Mit diesem Parameter werden verschiedene Helligkeiten als Szenen eingestellt. Diese können über das Objekt 21 Konstant Licht - Szene abgerufen werden.
Totband	Totband ist der Bereich in welchem sich der aktuelle Istwert bewegen kann ohne dass eine Nachregelung erfolgt. Dabei wird der Istwert zum Vergleich mit dem aktuellen Istwert herangezogen auf welchen zuletzt geregelt wurde. Die Voreinstellung ist 2. Der Luxwert des Totbandes ist abhängig von der aktuellen Helligkeit (letzter Istwert auf den geregelt wurde). Da unser Helligkeitsempfinden logarithmisch ist, ist diese Funktion auch nicht linear. Beispiel: Der Lux-Wert des Totbandes ergibt sich aus der folgenden Tabelle. <ul style="list-style-type: none"> • Totband Parameter = 2 • Helligkeit = 500 Lux Toleranz +/- 24 Lux In diesem Beispiel kann sich der Istwert in einem Bereich von 476 Lux bis 524 Lux bewegen ohne eine Änderung am Regler zu bewirken.

* Zusätzlich zum bisherigen Konstantlicht Kanal 1 (Objekt 22 ←) gibt es ein 2. Objekt Konstantlicht Kanal 2 (Objekt 23 ←). Hierüber wird ein mit festem Offset einstellbarer Wert gesendet. Intern wurde hierzu der Regelbereich um genau den Offset erweitert, um an den Grenzen einen vernünftigen Regelbereich zu erhalten.

Das heisst:

Offset von -50%, Dunkelheit: Es wird auf beiden Objekten FF (= 100%) gesendet. Intern ist Objekt 1 auf 150%, Objekt 2 auf 100%. Wenn sich jetzt die Umgebungshelligkeit erhöht, bleibt Objekt 1 auf 100% (150% - x), Objekt 2 wird heruntergeregelt (150% - 50% - x). Wenn dann die Regelung auf unter 100% fällt, wird Objekt 1 auch auf dem Bus sichtbar kleiner, z.B. 73%, Objekt 2 23%. Objekt 1 wird dann auf 0 runter- geregelt, Objekt 2 wird ab 50% auf den minimalen Wert eingestellt. Die Werte für Sendedifferenz und zyklisches Senden werden aus den nur einmal vorhandenen Parametern übernommen.

3.9.1. Abhängigkeit des Totbandwertes von der Helligkeit

		Totband									
		1	2	3	4	5	6	7	8	9	10
Helligkeit	100	2	5	7	10	12	15	17	20	23	26
	200	5	9	14	19	24	30	35	40	46	52
	300	7	14	21	29	37	44	52	61	69	78
	400	9	19	29	39	49	59	70	81	92	104
	500	12	24	36	48	61	74	87	101	115	129
	600	14	28	43	58	73	89	105	121	138	155
	700	16	33	50	68	85	104	122	142	161	181
	800	19	38	57	77	98	119	140	162	184	207
	900	21	42	64	87	110	133	157	182	207	233
	1000	23	47	72	96	122	148	175	202	230	259
	1100	26	52	79	106	134	163	192	222	253	285
	1200	28	57	86	116	146	178	210	243	276	311
	1300	30	61	93	125	159	193	227	263	299	337
	1400	33	66	100	135	171	207	245	283	322	362
	1500	35	71	107	145	183	222	262	303	345	388
	1600	37	75	114	154	195	237	280	324	368	414
	1700	40	80	122	164	207	252	297	344	391	440
1800	42	85	129	174	220	267	315	364	414	466	
1900	44	90	136	183	232	281	332	384	438	492	
2000	47	94	143	193	244	296	350	405	461	518	

Helligkeit Lux +/- Toleranz Lux (Totband)

4. FUNKTIONALE BLÖCKE

Die Funktionalität des Bewegungsmelders lässt sich in folgende Blöcke gliedern:

- Bewegungsdetektion
- Helligkeitsmesser
- Lichtsteuerkanal Schalten
- Lichtsteuerkanal Dimmen absolut mit optionaler Standby Lichtfunktion
- HLK Steuerkanal (mit Präsenzfunktion)
- Beleuchtungsabhängiger Schwellwertschalter, Dämmerungsschalter
- 2-Kanal Konstantlichtregelung

Der Bewegungsmelder sowie der Helligkeitsmesser (Lux) wirken jeweils auf den Licht Kanal und den HLK Kanal unabhängig.

Die Konstantlichtregelung erhält ihren Istwert von der gemeinsamen Helligkeitsmessung. Das Einschalten (Starten der Konstantlichtregelung) sowie das Ausschalten (Stoppen) kann über das → Objekt 16, den Lichtkanal oder über den HLK Kanal erfolgen.

Nach Einschalten/Rückkehr der Busspannung kommt es aufgrund des Einschwingverhaltens der internen Schaltung in der Regel zu einem Einschaltvorgang.

4.1. LICHT STEUERKANAL

Der Licht Steuerkanal hat zwei Betriebsarten welche über den Parameter Betriebsart des Melders eingestellt werden.

Die möglichen Einstellungen sind:

- Vollautomat
- Halbautomat

Die Unterschiede zwischen den Betriebsarten Vollautomat und Halbautomat sind folgende:

- Der Vollautomat kennt drei Betriebszustände: Bereit, Aktiv und Passiv
- Der Halbautomat kennt zwei Betriebszustände: Bereit und Aktiv
- Der Halbautomat schaltet bei detektierter Bewegung nicht selbstständig das Licht ein. Dies kann nur über einen externen Taster geschehen.

4.1.1. OBJEKT 0 AUSGANG – LICHT – SCHALTEN

← Ausgang 1Bit

In dieser Betriebsart führt jede erkennbare Bewegung dazu, dass das Ausgangsobjekt 0: Ausgang-Licht-Schalten einen „EIN“ Befehl sendet und damit startet gleichzeitig die Nachlaufzeit. Die Nachlaufzeit wird mit Parameter Nachlaufzeit eingestellt. Nach Ablauf der Nachlaufzeit wird auf dem Ausgangsobjekt ein „AUS“ Befehl gesendet.

4.1.2. OBJEKT 0 AUSGANG – LICHT – DIMMEN ABSOLUT

← Ausgang 1Byte

In diesem Modus wird je ein bestimmbarer prozentualer Wert (0% bis 100%) für Objektivwert für EIN respektive Objektivwert für AUS an den Ausgang gelegt.

4.1.3. OBJEKT 0 AUSGANG – LICHT – SZENE

← Ausgang 1Byte

Für den Objektivwert für EIN bzw. Objektivwert für AUS kann je eine aus 32 Szenen ausgewählt werden.

4.1.4. OBJEKT 1 EXTERNER SCHALTER / STATUS - LICHT – SCHALTEN

→ Eingang 1 Bit

Das Empfangsobjekt 1 externer Schalter / Status kann auf zwei unterschiedliche Arten verwendet werden:

- als Eingang für einen externen Schalter welcher das Licht direkt schaltet
- als Eingang um den Status oder den Schalteingang eines Aktors zu empfangen

In beiden Fällen führt ein empfangenes Telegramm mit dem Wert EIN dazu den Melder in den Zustand Licht eingeschaltet und ein AUS in den Zustand bereit wechseln zu lassen. Ob bei den Zustandsübergängen die Kommandos zum Licht Ein- oder Ausschalten gesendet werden, hängt vom Parameter Sendebedingung für externen Taster ab. Nach dem empfangenen EIN Telegramm beginnt die Nachlaufzeit wie wenn eine Bewegung erkannt worden wäre. Danach wird automatisch ausgeschaltet.

Nach einem AUS Telegramm verweilt der Melder in seinem Passivzustand in welchem er keine Bewegung detektiert. Danach ist der Melder wieder bereit Bewegung zu detektieren. Die Passivzeit wird durch den Parameter Totzeit nach Ausschalten gesteuert.

4.1.5. OBJEKT 2 EXTERNE BEWEGUNG - LICHT – SCHALTEN

→ Eingang 1 Bit

Additional (secondary) detectors can be connected through Object 2 "external movement - light – switching". The received signal from external presence detectors is processed the same as if from its own detector and works in parallel. Object 2 is used to set up a **Master-Secondary detector configuration** as follows:

Secondary devices: Connect all outputs of the secondary devices (← object 0) to the input external movement-light-switching (→ object 2) of the master device.

4.1.6. OBJEKT 3 EINGANG - LICHT - ZWANGSFÜHRUNG / SPERREN

→ Eingang 2 Bit

Die Bedeutung dieses Objekts wird durch den Parameter Licht → Zwangsführungsobjekt oder Sperrojekt bestimmt.

Zwangsführungsobjekt:

Das Objekt 3 als Zwangsführung kennt 3 Werte (2 bit Befehl) welche empfangen werden können:

1. **Zwangsführung EIN** (control = 1, value = 1). Dabei wird auf dem Ausgangsobjekt ein EIN Befehl gesendet aber nur wenn sich der Zustand ändert. Die Auswertung wird danach unterbunden und die Rückfallzeit Zwangsführung beginnt. Sollte nach Ablauf der Rückfallzeit auf dem Zwangsführungsobjekt nichts empfangen werden, wird der Normalbetrieb wieder aufgenommen.
2. **Zwangsführung AUS** (control = 1, value = 0). Dabei wird auf dem Ausgangsobjekt ein AUS Befehl gesendet aber nur wenn sich der Zustand ändert. Die Auswertung wird danach unterbunden und die Rückfallzeit Zwangsführung beginnt. Sollte nach Ablauf der Rückfallzeit auf dem Zwangsführungsobjekt nichts empfangen werden, wird der Normalbetrieb wieder aufgenommen.
3. **Zwangsführung AUTO** (control = 0 value = 0). Danach wird der normale Betrieb des Melders wieder aufgenommen.

Sperrobjekt:

➔ **Eingang 1 Bit**

Das Objekt 3 als Sperrobjekt kennt 2 Werte (1 bit Befehl) welche empfangen werden können: 0 und 1

Die Reaktion auf den Empfang eines Schaltelegames auf diesem Objekt wird durch zwei zusätzlich eingeblendete Parameter geregelt.

Licht ➔ Bei Sperrobjekt = 0, und Licht ➔ Bei Sperrobjekt = 1

Beide Parameter können eine der folgenden Reaktionen festlegen:

- Zwangsführung EIN
- Zwangsführung AUS
- AUTO
- Verriegeln (im aktuellem Schaltzustand)
- keine Aktion

Achtung: Bei falscher Einstellung der Parameter, z.B. Sperrobjekt, Verriegeln bei 0 und keine Aktion 1 und abgeschalteter Rückfallzeit kann die Funktionalität komplett ausgeschaltet werden!

4.2. HLK KANAL

← **Ausgang 1Bit**

Der HLK Kanal hat die gleichen Objekte und gleichen Betriebsarten wie der Lichtkanal. Der HLK Kanal funktioniert auch identisch wie dieser. Einzig die Bewegungsdetektion ist in der Funktion erweitert.

Die Bewegungsdetektion ist durch eine „Länger anwesend Detektion“ ersetzt worden.

Dies erfolgt indem über mehrere gleichlange Beobachtungszeitfenster in jedem Zeitfenster mindestens einmal Bewegung festgestellt werden muss.

Die Parameter dafür sind:

Anzahl der Beobachtungszeitfenster und Länge des Beobachtungszeitfensters (s)

Die Gesamtzeit ist das Produkt aus den zwei Parametern und kann um die Dauer eines Beobachtungszeitraumes variieren.

Presence function

Der HLK Ausgang kann als Präsenzfunktion benutzt werden. Dazu muss die Anzahl der Beobachtungszeitfenster auf 1 und die Länge des Beobachtungszeitfensters auf 1 Sekunde gesetzt werden.

Das Präsenzsignal ist **unabhängig** vom Umgebungslicht.

4.2.1. OBJEKT 4 AUSGANG - HLK – SCHALTEN

← **Ausgang 1Bit**

Das Objekt 4 Ausgang-HLK-Schalten ist ähnlich dem Objekt 0 Ausgang-Licht-Schalten besitzt aber noch zusätzliche Funktionen (siehe Parameter HLK Seite 11).

4.2.2. OBJEKT 5 EXTERNER SCHALTER / STATUS - HLK

➔ **Eingang 1 Bit**

Das Objekt 5 externer Schalter/Status-HLK ist identisch mit dem Objekt 1 externer Schalter/Status-Licht.

4.2.3. OBJEKT 6 EXTERNE BEWEGUNG - HLK

➔ **Eingang 1 Bit**

Das Objekt 6 externe Bewegung-HLK-Schalten ist identisch mit dem Objekt 2 externe Bewegung-Licht-Schalten.

4.2.4. OBJEKT 7 EINGANG - HLK - ZWANGSFÜHRUNG

➔ **Eingang 2 Bit**

Das Objekt 7 Eingang – HLK -Zwangsführung ist identisch mit dem Objekt 3 Eingang Licht – Zwangsführung.

4.2.5. OBJEKT 7 EINGANG - HLK - SPERREN

➔ **Eingang 1 Bit**

Das Objekt 7 Eingang - HLK -Sperren ist identisch mit dem Objekt 3 Eingang Licht - Sperren.

4.3. HELLIGKEIT SCHWELLVERTSCHALTER

Dieser Block hat zwei Ausgangsobjekte: Schwellwertschalter und Helligkeitswert

1.1.1 25240 SG 300-3PIR > Helligkeit	
Allgemein	Senden des Lichtwertes bei Änderung um <input type="text" value="100 Lux"/>
Licht	Zyklisches Senden des Lichtwertes <input type="text" value="AUS"/>
Standbywerte	Wert für Schalten des Schwellwertschalters <input type="text" value="500 Lux"/>
HLK	Hysterese <input type="text" value="50 Lux"/>
Helligkeit	Objektwert für EIN <input type="radio"/> AUS <input checked="" type="radio"/> EIN
	Objektwert für AUS <input checked="" type="radio"/> AUS <input type="radio"/> EIN
Abgleichung Helligkeitswert	Sendefilter <input type="text" value="EIN und AUS"/>
Auswertung PIR	
Konstant Licht	

4.3.1. OBJEKT 8 SCHWELLVERTSCHALTER HELLIGKEIT – SCHALTEN

← **Ausgang 2 Byte**

Dieses Ausgangsobjekt 8 sendet ein EIN wenn die gemessene Helligkeit größer ist als der Parameter Wert für Schalten des Schwellwertschalters.

Beim Unterschreiten des Wertes Schwellwert für Einschalten – (minus) Parameter Hysterese wird ein AUS gesendet

4.3.2. OBJEKT 9 HELLIGKEITSWERT

← Ausgang 2 Byte

Dieses Ausgangsobjekt 9 sendet den aktuell gemessenen Helligkeitswert in Lux. Das Senden wird veranlasst bei Änderungen welche größer als der Parameter Senden des Lichtwertes bei Änderung um oder zyklisch mit der vorgegebenen Zeit für Zyklisches Senden des Lichtwertes. Wenn die Zykluszeit auf AUS gesetzt ist, wird nicht zyklisch gesendet.

4.4. AD KALIBRIERWERT

← Ausgang 2 Byte

Dieses Objekt 10 sendet nicht selbstständig. Es kann nur gelesen werden. Sein vorzeichenloser 16 Bit Wert stellt den momentanen Wert des AD Wandler für die Helligkeitsmessung dar. Die Helligkeitsmessung kann folgendermaßen kalibriert werden:

- Mit externem Luxmeter einfallendes Licht zum Beispiel auf Tischplatte messen. Dies entspricht dem Referenz Luxwert.
- AD Kalibrierwert (Kommunikationsobjekt 10) in ETS auslesen.
Achtung: Im Menu Wert lesen/senden Typ **7.001 2 byte Zähler ohne Vorzeichen** verwenden!
Der gelesene AD Wert erscheint dann im Menu empfangener Wert als z.B. 739 **Impulse**
- Die beiden Werte Luxwert und AD Kalibrierwert als Parameter eintragen.

1.1.1 25240 SG 300-3PIR > Abgleichung Helligkeitswert		
Allgemein	Helligkeitssensor Abgleich	Korrekturwert eingeben ▾
Licht		
Standbywerte	AD Kalibrierwert	0 ▲ ▼
HLLK	Luxwert	0 ▲ ▼
Helligkeit		
Abgleichung Helligkeitswert		
Auswertung PIR		
Konstant Licht		

4.5. OBJEKTE ZUR KONSTANTLICHTREGELUNG

4.5.1. OBJEKT 16 KONSTANT LICHT SCHALTEN EIN/AUS

→ Eingang 1 Bit

Dieses Objekt empfängt einen Schaltbefehl um die Konstantlichtregelung zu Ein- und Auszuschalten. Alternativ kann über den Parameter Konstantlicht schalten mit der Bewegungsmelder als Schaltquelle verwendet werden.

4.5.2. OBJEKT 17 KONSTANT LICHT - DIMMEN RELATIV

→ Eingang 4 Bit

Über dieses Objekt wird der aktuelle Sollwert mit relativem Dimmen in 1% Schritten geändert. Mit einem KNX-Taster kann der neue Konstantlicht Sollwert bequem eingedimmt werden. Der neue Licht-Istwert kann anschliessend über das Kommunikations-Objekt 9: Helligkeitswert auslesen auf einem KNX Touch-Panel angezeigt werden.

Wichtig: im Menu Konstantlicht → kann beim Parameter Sollwert übernehmen nach die Zeit eingeben werden während der der Regler ausgeschaltet bleibt. Nach Ablauf dieses Zeitintervalls wird der neue Sollwert ins RAM geschrieben (nicht ins Flash!).

Achtung: Dieser neue Sollwert bleibt nur solange gespeichert als Präsenz festgestellt wird und die Nachlaufzeit abgelaufen ist.

Beim erneuten Betreten des Raumes wird wieder der ursprünglich in der ETS definierte Sollwert wirksam.

Soll der neu eingedimmte Sollwert definitiv übernommen werden, so muss bei Geänderten Wert beibehalten im Menu Konstantlicht die Option Ja angeklickt werden. (siehe auch Kapitel 3.8 Konstantlicht Parameter Seite 18).

4.5.3. OBJEKT 18 KONSTANT LICHT - DIMMEN ABSOLUT

→ Eingang 1 Byte

Über dieses Objekt kann ein neuer Sollwert in % eingegeben werden.

4.5.4. OBJEKT 20 KONSTANT LICHT - ZWANGSFÜHRUNG

→ Eingang 1 Bit

Bei den Werten Ein und AUS wird entsprechend den Parametern **Zwangsführung bei Ein** bzw. **Zwangsführung bei Aus** reagiert. Einstellbar sind: **Keine Reaktion, Geringste Helligkeit, Grösste Helligkeit und Letzter Wert** (nur bei Zwangsführung bei Aus).

4.5.5. OBJEKT 21 KONSTANT LICHT - SZENE

→ Eingang 1 Byte

Szenenauswahl Eingang. 8 per ETS einstellbare Szenen sind wählbar. Der Bereich kann von 10 lx bis 2000 lx eingestellt werden. Zusätzlich kann der Befehl AUS für alle Szenen 1 bis 8 programmiert werden.

4.5.6. OBJEKT 22 KONSTANT LICHT - AUSGANG KANAL 1

← Ausgang 1 Byte

Über dieses Objekt wird der Dimmkaktor 1 mit absolutem Dimmen angesteuert.

4.5.7. OBJEKT 23 KONSTANT LICHT - AUSGANG KANAL 2

← Ausgang 1 Byte

Über dieses Objekt wird der Dimmkaktor 2 mit dem im Offset korrigierten Signal des Kanals 1 angesteuert.

4.5.8. OBJEKT 24 LICHT - STANDBY (ORIENTIERUNGSLICHT)

→ Eingang 1 Byte

Über diesen Eingang wird das aktive Wertepaar für das Orientierungslicht definiert (siehe Kapitel 3.2.3 Licht Standbywerte Seite 11).

5. PROGRAMMVERSION 2.7

Mit der Programmversion 2.7 sind die Funktionenmöglichkeiten der Präsenzmelder- Serie Swiss Garde 360P KNX/KLR RA/EA erweitert so auch bestehende Funktionen der Programmversion 2.4 ergänzt respektive angepasst worden. Die Standard- Werte (Default-Werte) der Parameter, sind in der Programmversion 2.7 teilweise verändert. Diese Grundeinstellungen ermöglichen eine schnelle und einfachere Funktionskontrolle (Erst- Inbetriebnahme) des Präsenzmelders.

Ältere Geräte der Programmversion 2.4 können sowohl auch mit der Programmversion 2.7 programmiert/ parametriert werden (abwärts Kompatibilität).

Die neuen und geänderten Funktionen sowie die zusätzlichen Kommunikations- Objekte der Programmversion 2.7 werden jedoch in der älteren Gerätegeneration nicht unterstützt.

5.1. Übersicht der Änderungen

- Dimm-Funktion bei Konstantlichtregelung (KLR) siehe 5.2.2
- Nachlaufzeit im Halbautomatik-Mode siehe 5.3.3
- Standby-Funktion siehe 5.3.4
- Lichtsensor-Adaption siehe 5.3.5
- Einschaltverhalten siehe 5.3.1
- Sperrobjekt im Sekundar-Melder-Mode siehe 5.2.0
- Automatische Licht- AUS- Schwelle siehe 5.3.2
- Parameteränderungen via Kommunikations- Objekte siehe 5.2.1
- Monitor-LED (grün);
Solange der Melder eine Bewegung detektiert blinkt die Monitor- LED mit 0,5 Hz

5.2. Kommunikationsobjekte

- Eingangsobjekt
- ← Ausgangsobjekt

Objekt		Funktion	Anwendung verknüpfen mit:	Bit/Byte
0	←	Ausgang - Licht (Dimmen absolut)	Aktor Lichtgruppe	1 Byte
0	←	Ausgang - Licht (Schalten)	Aktor Lichtgruppe	1 Bit
0	←	Ausgang - Licht (Szene)	Aktor Lichtgruppe	1 Bit
1	→	Eingang externer Schalter / Status - Licht (Schalten)	KNX Taster, Touchdisplay, Logik	1 Bit
2	→	Eingang externe Bewegung - Licht (Schalten)	Ausgang Licht Sekundar-Melder (Ausgangsobjekt. 0)	1 Bit
3	→	Eingang - Licht (Zwangsführung)	• Externer Logikbaustein	2 Bit
3	→	Eingang - Licht (Sperren)	KNX Taster, Touchdisplay, Logik	1 Bit
4	←	Ausgang - HLK (Schalten)	• Aktoren für HLK Geräte wie Heizung, Lüftung, Klima • Ansteuerung von Alarmlogiken • Präsenzfunktion	1 Bit
5	→	externer Schalter / Status - HLK (Schalten)	KNX Taster, Touchdisplay, Logik	1 Bit
6	→	externe Bewegung - HLK (Schalten)	Ausgang HLK Sekundar-Melder (Ausgangsobjekt. 4)	2 Byte
7	→	Eingang - HLK (Zwangsführung)	Externer Logikbaustein	2 Bit
7	→	Eingang - HLK (Sperren)	KNX Taster, Touchdisplay, Logik	1 Bit
8	←	Schwellwertschalter Helligkeit (Schalten)	Logik, Aktor	1 Bit
9	←	Helligkeitswert in Lux	Logik, Touchdisplay	2 Byte
10	←	AD Kalibrierwert	Auslesen und anschliessend manuell eingeben beim Kalibrierungsvorgang	2 Byte
16	→	Konstantlicht Schalten Ein/Aus	KNX Taster, Logik	1 Bit
17	→	Konstantlicht Dimmen relativ	4 Bit-Dimmobjekt von KNX Taster für EIN/AUS, dimmen rauf und runter Touchdisplay	4 Bit
18	→	Konstantlicht Dimmen absolut	Logik	1 Byte
20	→	Konstantlicht Zwangsführung	KNX Taster, Logik	1 Bit
21	→	Konstantlicht Szene	Logik	1 Byte
22	←	Konstantlicht Kanal 1 - Ausgang	Dimm-Aktor für Lichtgruppe 1	1 Byte
23	←	Konstantlicht Kanal 2 - Ausgang	Dimm-Aktor für Lichtgruppe 2	1 Byte
24	→	Licht - Standby	Umschalten der Standby Wertepaare	1 Bit

5.2.1. KOMMUNIKATIONSOBJEKTE im Sekundär-Melder- Mode

Objekt		Funktion	Anwendung verknüpfen mit:	Bit/Byte
0	←	Ausgang - Schalten	Master-Melder	1 Bit
3	→	Eingang (Sperren)	KNX Taster, Touchdisplay, Logik	1 Bit

Sperrojekt:

Das Objekt 3 als Sperrojekt kennt 2 Werte (1 bit Befehl) welche empfangen werden können:

Bei Sperrojekt = 1 Ausgang (Obj.0) bleibt gesperrt, bei Bewegungserkennung werden keine Telegramme gesendet

Bei Sperrojekt = 0 Ausgang (Obj.0) → AUTO (Normalbetrieb)

5.2.2. OBJEKTE FÜR DYNAMISCHE PARAMETER- ÄNDERUNGEN

→ Eingang 2 Byte

← Ausgang 2 Byte

Über das Objekt 11 (Nachlaufzeit) und das Objekt 12 (Helligkeitsschwelle unterhalb Sensor aktiv ist) können die dazu gehörenden Parameter-Werte direkt verändert oder ausgelesen werden, ohne dass der Melder dabei neu programmiert werden muss.

Diese Betriebsart erlaubt es, via externe Geräte (GLS, Touchscreen,Logik) die Funktionsweise des Melders direkt zu beeinflussen.

Z.B. kann das Einschaltverhalten/Nachlaufzeit bei bestimmten Tageszeiten (dynamisch) angepasst oder auch auf die jeweiligen Nutzerbedürfnisse abgestimmt werden um so der Anwendungsfall zu optimieren.

Die via Objekt geänderten Werte bleiben temporär gespeichert. Nach Busspannungs- Unterbruch / Rückkehr, nach einem Reset oder nach erneutem Programmieren, sind die ursprünglich parametrisierten Werte wieder aktiv.

5.2.3. Object 14 KONSTANT LICHT - DIMMEN ZWANG

→ Eingang 4 Bit

Ist die Konstantlicht-Regelung des Präsenzmelders durch eine Präsenzerkennung oder durch einen ext. „EIN“ Schaltbefehl (obj1) aktiv, wird mit der Übertragung von Dimm-Werten (heller oder dunkler) an den Präsenzmelder die Konstantlicht-Regelung unmittelbar unterbrochen und bleibt für die Dauer der Bewegungs-Erkennung und oder der Nachlaufzeit inaktiv.

Der in diesem Moment am Regler-Ausgang (Obj. 22) anstehende Wert, kann mit relativem Dimmen (heller / dunkler) durch einen KNX-Taster +- verändert werden.

Nach Ablauf der Nachlaufzeit oder nach einem ext. „AUS“ Schaltbefehl, ist bei erneuter Bewegungsdetektion die Konstantlicht-Regelung des Präsenzmelders wieder aktiv und startet mit dem im Parameter hinterlegten Regler- Ausgangs-Wert.

5.3. Parameter

5.3.1. Betriebsart des Melders / Einschaltverhalten

Nach Einschalten oder Busspannungswiederkehr ist der Melder für die ersten 60sec. inaktiv. Während dieser Stabilisierungszeit der Sensorik sendet der Melder keine Telegramme. Der Lichtausgang kann für die Dauer der Aufstartphase in der Betriebsart „Vollautomat“, mit „75sec. Licht EIN“ geschaltet oder „Keine Reaktion“ parametrisiert werden.

1.1.1 25240 SG 300-3PIR > Licht		
Allgemein	Betriebsart des Melders	Vollautomat (Keine Reaktion nach Aufstarten) ▼
Licht	LED grün	Vollautomat (Keine Reaktion nach Aufstarten) ✓ Halbautomat Vollautomat (75s Licht EIN nach Aufstarten)
Standbywerte	Nachlaufzeit	Immer ▼
HLK	Helligkeit unterhalb welcher Sensor aktiv ist	AUS ▼
Helligkeit	Helligkeit überhalb welcher ausgeschaltet wird	Immer ▼
Abgleichung Helligkeitswert	Zwangsführungsobjekt oder Sperrojekt	<input type="radio"/> Zwangsführungsobjekt <input checked="" type="radio"/> Sperrojekt
Auswertung PIR	Bei Sperrojekt = 0	AUTO ▼
Konstant Licht	Bei Sperrojekt = 1	Zwangsführung AUS ▼
	Objekttyp für Ausgang - Licht	Dimmen absolut ▼
	Objektwert für EIN	100% ▼
	Objektwert für AUS	0% ▼
	Sendebedingung für Schaltobjekt	EIN und AUS ▼
	Sendebedingung bei externem Taster	EIN und AUS ▼
	Totzeit nach Ausschalten	1 s ▼

5.3.2. Automatische Adaption der „Licht- AUS“ Schwelle

Durch die Einstellung „Automatisch“ im Parameter „Helligkeit überhalb ausgeschaltet wird“, berechnet der Melder automatisch mit folgender Regel den Grenzwert der Licht-AUS-Schwelle: Ist die effektive Helligkeit bei geschaltetem Lichtkanal (nach 1min.) grösser als der des parametrisierten Werts „Helligkeit unterhalb welcher Sensor aktiv ist“, erhöht sich die Licht- AUS- Schwelle um 10% plus 200 LUX des parametrisierten Werts. Liegt die effektive Helligkeit bei geschaltetem Lichtkanal unterhalb des parametrisierten Werts, so ist die Licht- AUS- Schwelle die des nach 1min. anstehenden Helligkeitswerts, erhöht um 10% plus 200 LUX.

1.1.1 25240 SG 300-3PIR > Licht

Allgemein	Betriebsart des Melders	Vollautomat (Keine Reaktion nach Aufstarten)
Licht	LED grün	<input type="radio"/> AUS <input checked="" type="radio"/> Bei Bewegung
Standbywerte	Nachlaufzeit	1 min
HLK	Helligkeit unterhalb welcher Sensor aktiv ist	Immer
Helligkeit	Helligkeit überhalb welcher ausgeschaltet wird	Automatisch
Abgleichung Helligkeitswert	Zwangsführungsobjekt oder Sperrobjekt	550 Lux 600 Lux 650 Lux 700 Lux 750 Lux 800 Lux 850 Lux 900 Lux 1000 Lux 1100 Lux 1200 Lux 1300 Lux 1400 Lux 1600 Lux 1800 Lux 2000 Lux Automatisch
Auswertung PIR	Bei Sperrobjekt = 0	
Konstant Licht	Bei Sperrobjekt = 1	
	Objekttyp für Ausgang - Licht	
	Objektwert für EIN	
	Objektwert für AUS	
	Sendebedingung für Schaltobjekt	
	Sendebedingung bei externem Taster	
	Totzeit nach Ausschalten	

Die Licht- Aus- Schwelle wird jeweils nach abgelaufener Nachlaufzeit (Licht- AUS) und einer darauf erneuten Bewegungs- Detektion oder eines EIN - Schaltbefehls wieder neu berechnet. Bei Auswahl eines festen LUX- Werts des Parameters „Helligkeit überhalb ausgeschaltet wird“, muss dieser immer grösser (oder gleich) sein des Wertes „Helligkeit unterhalb welcher Sensor aktiv ist“.

5.3.3. Nachlaufzeit im Halbautomatik-Mode

Erhöht sich die Umgebungshelligkeit während der Nachlaufzeit über die Licht- AUS- Schwelle, wird der Lichtausgang (Obj.0 / Obj.22) ausgeschaltet aber die Nachlaufzeit nicht gestoppt. Nach Unterschreiten der „Helligkeitsschwelle unterhalb Sensor aktiv ist“ schaltet der Lichtkanal wieder ein, bis die restliche Nachlaufzeit abgelaufen ist.

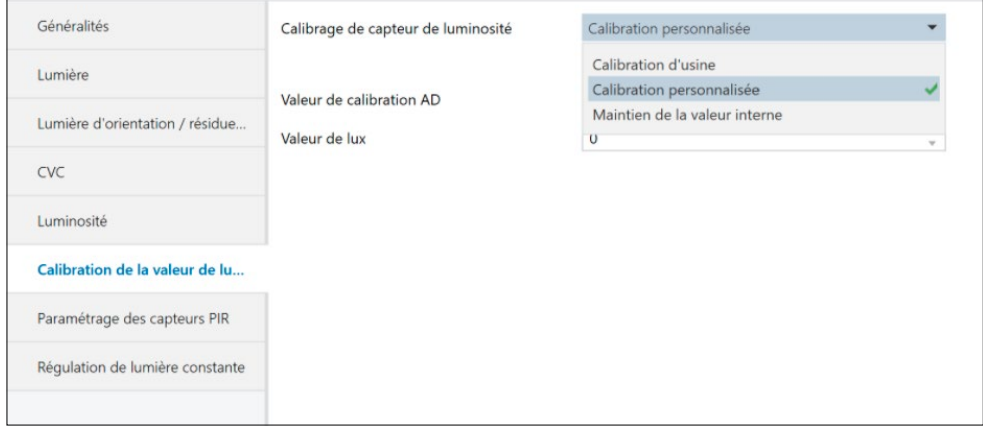
5.3.4. Standby-Funktion

Im Mode Licht- Ausgang „Dimmen absolut“ kann der Lichtkanal für ein „Standby-Licht“ mit zwei Wertepaaren aktiviert werden. Die Wertepaare werden via Obj24 gewählt. Die Verzögerungszeit kann auch „unendlich“ betragen. → Anwendung z.B. für eine dauernde minimale Beleuchtung (Notlicht)
 Erhöht sich die Umgebungshelligkeit während der Standbyzeit über die Licht- AUS- Schwelle, wird der Lichtausgang (Obj.0) ganz ausgeschaltet. Nach Unterschreiten der „Helligkeitsschwelle unterhalb Sensor aktiv ist“ schaltet der Lichtkanal mit dem parametrisierten Dimmwert wieder ein, bis die Nachlaufzeit vollständig abgelaufen ist.

1.1.1 25240 SG 300-3PIR > Standbywerte

Allgemein	Standbywerte	<input checked="" type="radio"/> aktiv <input type="radio"/> nicht aktiv
Licht	Stand By Dauer 1	1 h
Standbywerte	Stand By Wert 1	80%
HLK	Stand By Dauer 2	50 min
Helligkeit	Stand By Wert 2	Aus 1 min 2 min 5 min 10 min 20 min 30 min 40 min 50 min 1 h 2 h 4 h 8 h Unendlich
Abgleichung Helligkeitswert		
Auswertung PIR		
Konstant Licht		

5.3.5. Adaption Helligkeitssensor

Adaption Helligkeitwert	<p>1.1.1 25240 SG 300-3PIR > Calibration de la valeur de luminosité</p> 
Werkskalibrierung	Diese ist jederzeit möglich mit dieser Einstellung und anschließender Neuprogrammierung des Melders.
Kalibrieren	Bei dieser Option öffnen sich zwei weitere Fenster: AD Kalibrierwert und Luxwert.
AD Kalibrierwert	AD Kalibrierwert (Kommunikationsobjekt 10) in der ETS auslesen und im Fenster eintragen. Achtung: Im Menu Wert lesen/senden Typ 7.001 2 byte Zähler ohne Vorzeichen verwenden! Der gelesene AD Wert erscheint dann im Menu empfangener Wert als z.B. 739 Impulse
Luxwert	Mit Luxmeter Referenz-Helligkeit messen und im Fenster Luxwert eintragen
Interner Wert beibehalten	Diese Einstellung wird gewählt, nachdem eine „Neu- Kalibrierung“ gemacht wurde