

STO/GM



ABB i-Bus®

Switch-/Dim Actuator SD/S x.16.1



- Complete range of Switch-/Dim Actuators SD/S
- Structured ABB i-Bus® product line in techniques
- One application program, clear structure
- Design consistent with Switch Actuators SA/S (e.g. manual use and terminals)
- Attractive and smart alternative to the DALI technology





- SD/S 2.16.1
- Modular DIN-Rail Device (MDRC), *proM* Design
- 4 MW, ABB i-bus® EIB / KNX
- 2 independent channels for switching and dimming
- 16A - AC1, 10AX
- 1-10V control output max. 100mA
- 1-10V control wire maximally 100m with 1,5mm² cross section
- Supply only over EIB / KNX
- Manual switching and contact position indication without any supply





- SD/S 4.16.1
- Modular DIN-Rail Device (MDRC), *proM* Design
- 6 MW, ABB i-bus[®] EIB / KNX
- 4 independent channels for switching and dimming
- 16A - AC1, 10AX
- 1-10V control output max. 100mA
- 1-10V control wire maximally 100m with 1,5mm² cross section
- Supply only over EIB / KNX
- Manual switching and contact position indication without any supply





- SD/S 8.16.1
- Modular DIN-Rail Device (MDRC), *proM* Design
- 8 MW, ABB i-bus[®] EIB / KNX
- 8 independent channels for switching and dimming
- 16A - AC1, 10AX
- 1-10V control output max. 100mA
- 1-10V control wire maximally 100m with 1,5mm² cross section
- Supply only over EIB / KNX
- Manual switching and contact position indication without any supply



Design- and Range Overview

SD/S x.16.1



SD/S 2.16.1
16A – AC1
4 MW



SD/S 4.16.1
16A – AC1
6 MW



SD/S 8.16.1
16A – AC1
8 MW

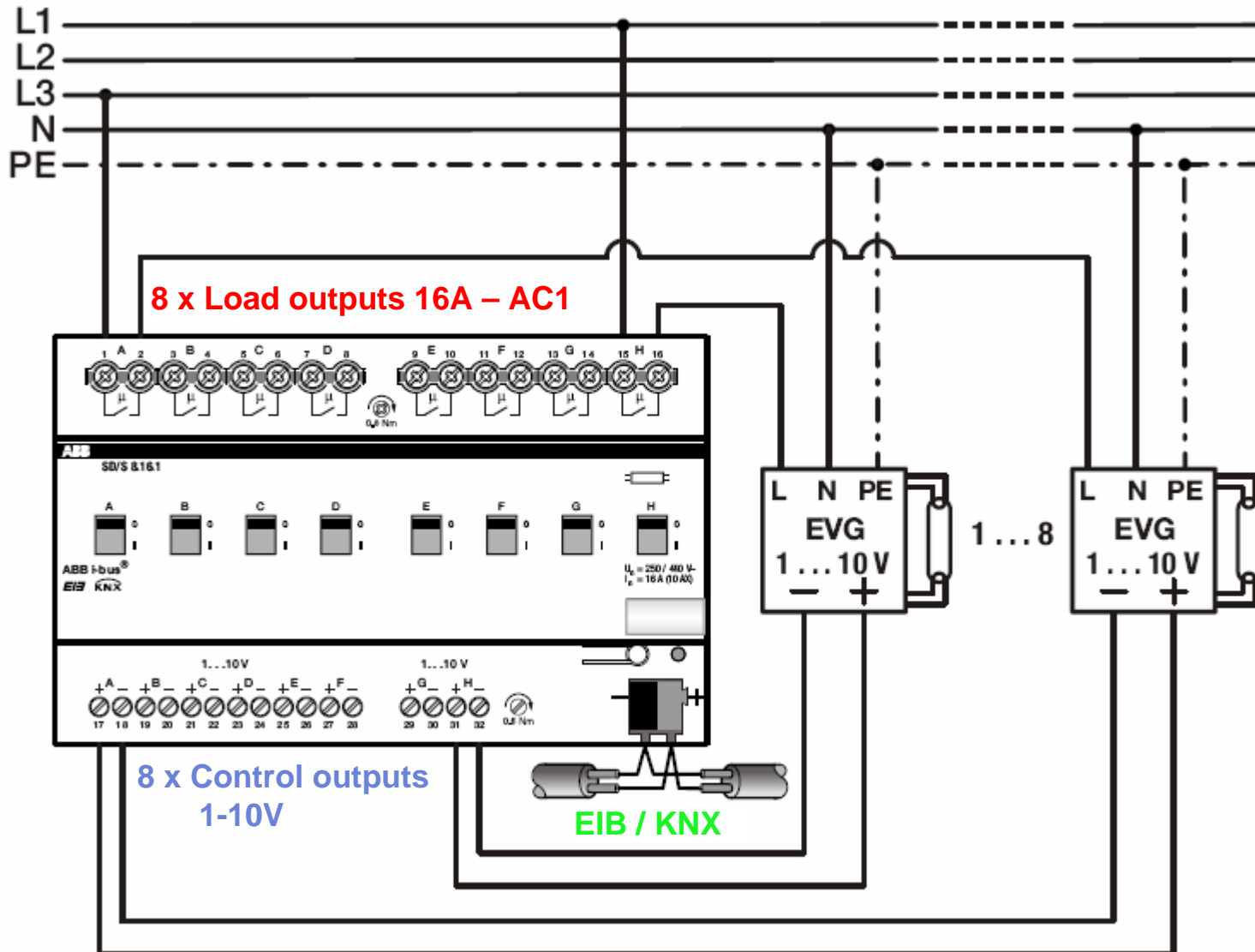
- 1-10V control outputs each used for maximal 100mA control load
- independent, potential free relays outputs
- 6 mm² terminal with universal head screws for load outputs
- Rated current 16A – AX1, 10 AX (acc. IEC 60947 and IEC 60669)

| | |
|----------------------------------------------|------|
| Max. Peak inrush-current I_p (150 μ s) | 400A |
| Max. Peak inrush-current I_p (250 μ s) | 320A |
| Max. Peak inrush-current I_p (600 μ s) | 200A |

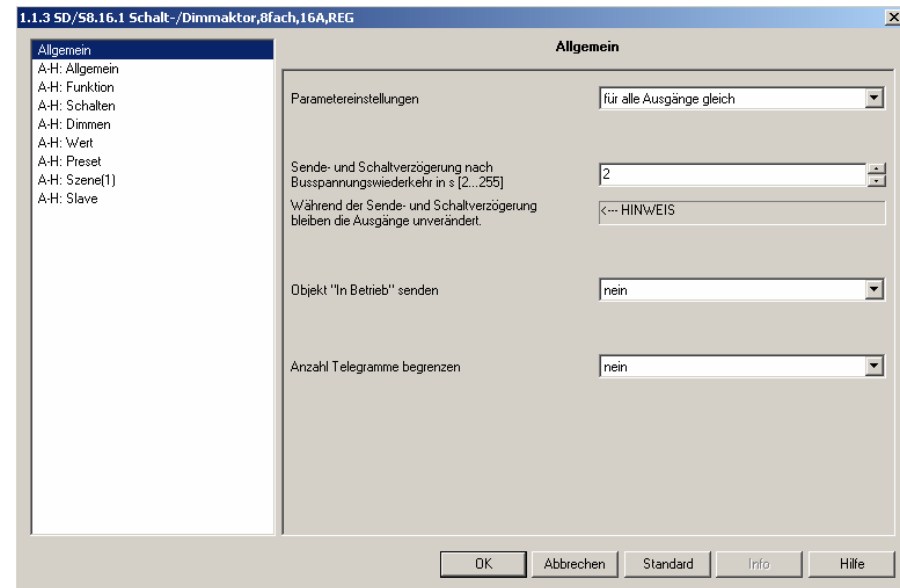


Wiring Diagram

SD/S x.16.1



Application program and Functions



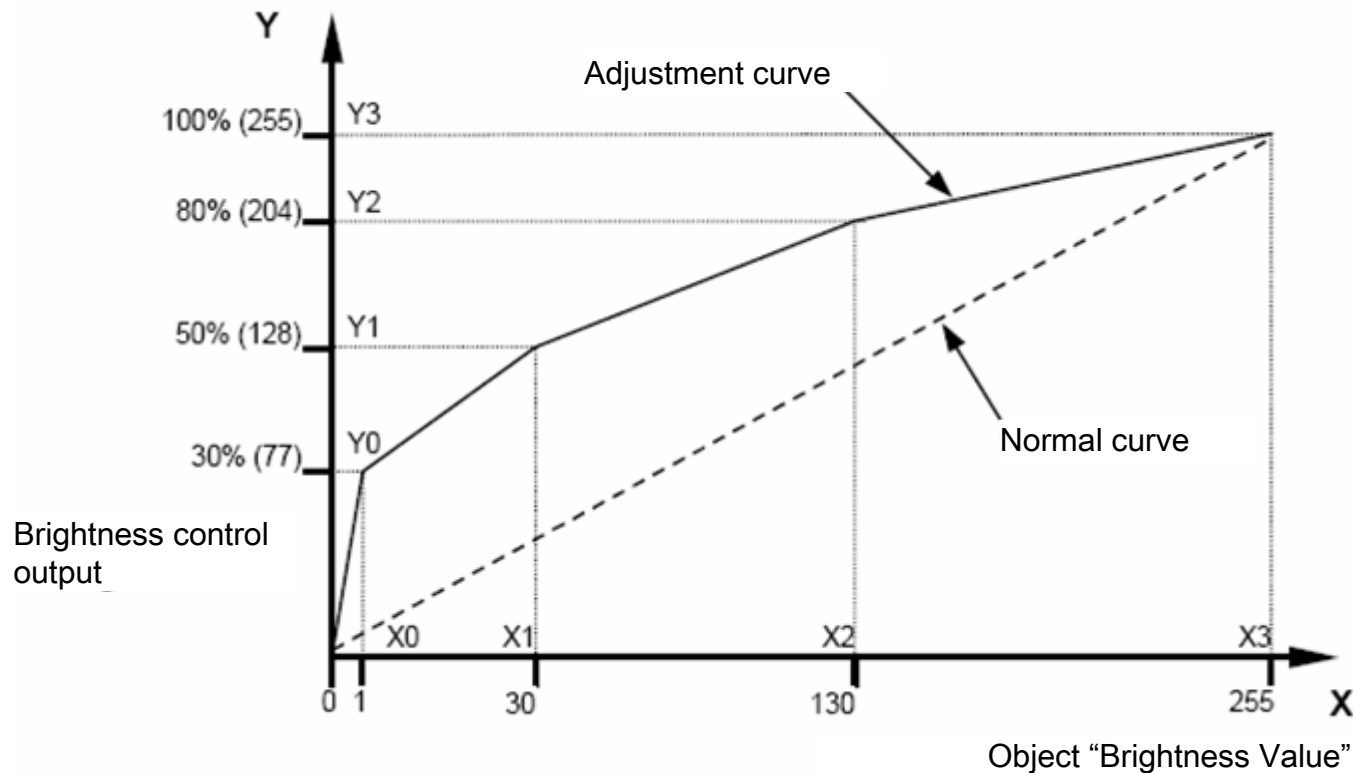
- Basis is the SD/M Module for Room-Controller
- Parametration of channels individual or together
- Basic functions
 - Switching
 - Dimming
 - Setting brightness value
- 4 Presets and 18 Scenes
- Forced operation (2Bit)
- Blocking of channels
- Staircase function, with integrated warning
- Setting staircase lighting time via bus
- Slave mode in combination with light controller



- Individual dimming speed for
 - Dimming (setting over bus is possible)
 - Switching
 - Setting brightness
- Individual dimming / brightness limit values for
 - Switch, dim and staircase lighting
 - Set of brightness, preset, scenes and slave mode
- Switching status and brightness feedback
- Characteristic curve adjustment to adapt the control output to the lamp characteristic

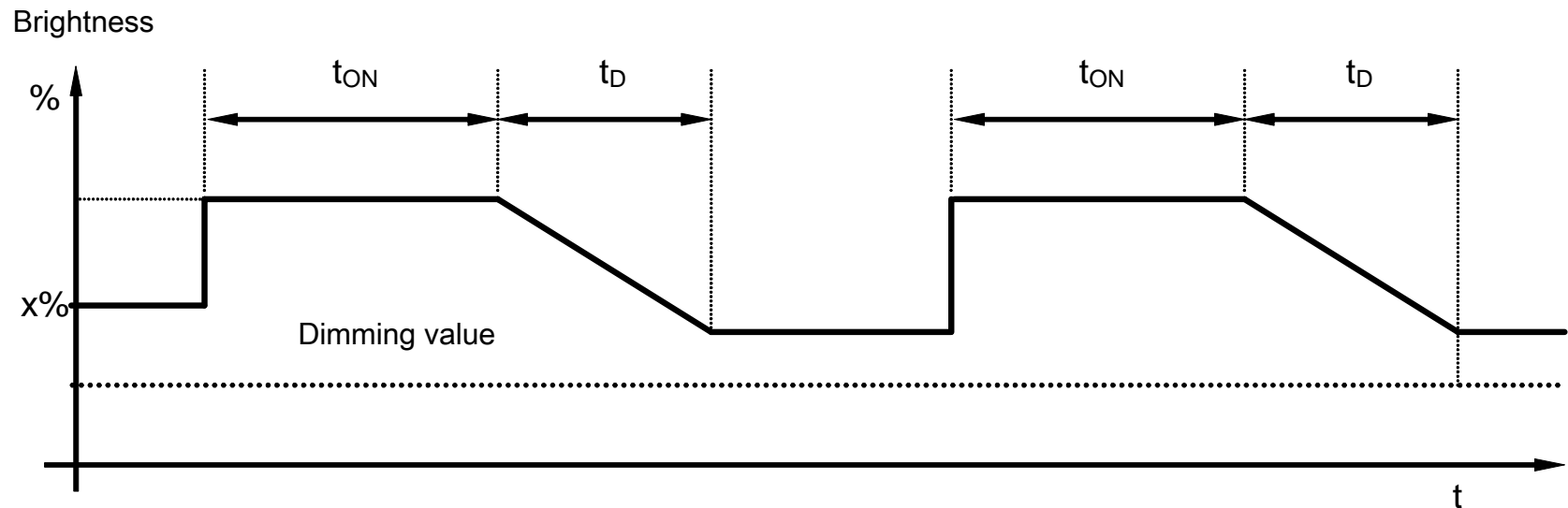
Characteristic adjustment

- To adapt SD/S control output to lamp characteristic
- Curve with up to 4 value points
- Calculation of a linear curve between value points



Staircase function

- Staircase lighting time t_{ON}
- Dimming down time t_D (Warning time)
- Base brightness $x\%$



Marketing data



- New product, no existing device is lost
- Chapter 8 „Illumination and Light Sensors”
- Order Code

| Type | Order code | EAN-No |
|-------------|--------------------|------------------|
| SD/S 2.16.1 | 2CDG 110 079 R0011 | 40 16779 65996 3 |
| SD/S 4.16.1 | 2CDG 110 080 R0011 | 40 16779 65937 6 |
| SD/S 8.16.1 | 2CDG 110 081 R0011 | 40 16779 65918 5 |

Type Code

SD/S 2.16.1 SD/S 4.16.1 SD/S 8.16.5S

- SD/S - **S**witch-/**D**im Actuator, MDRC
- SD/S **x**. - **x** = number of outputs
- SD/S **x.16**. - **16** = rate current in A
- SD/S **x.16.1** - **1** = Version



ABB