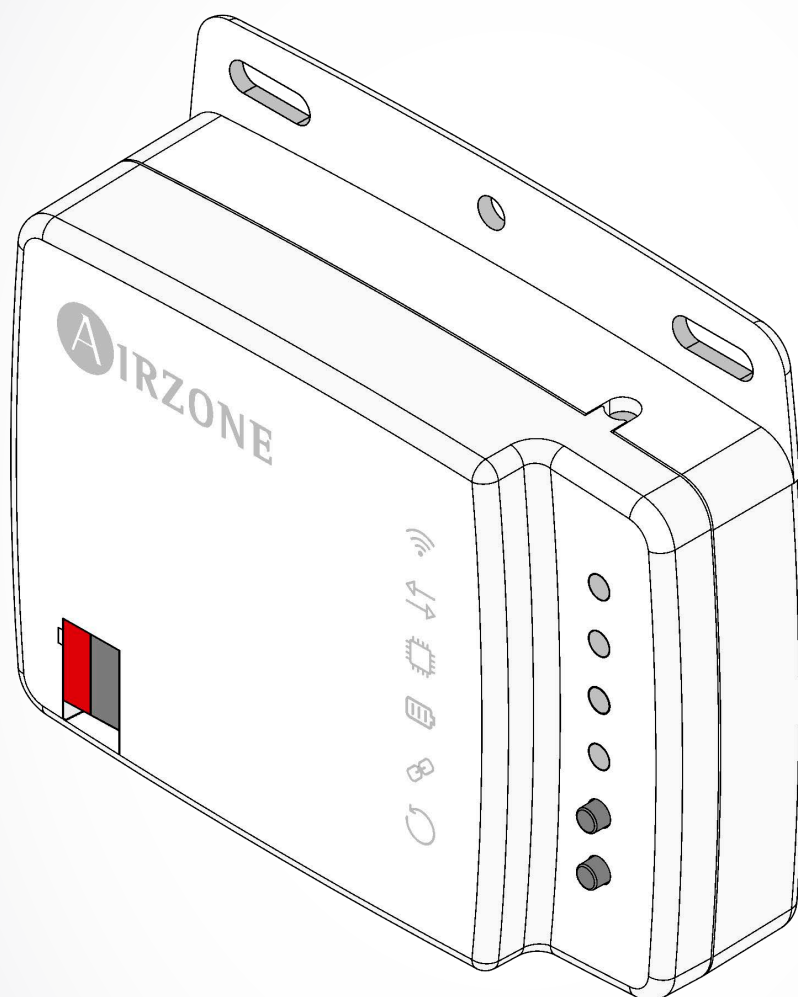


# Integration manual

## Aidoo KNX controller



# CONTENTS

Warnings and environmental policy.....	3
Precautions.....	3
Environmental policy .....	3
General Requirements .....	3
Introduction .....	4
Assembly.....	4
Connection.....	4
Configuration .....	5
Communication Objects.....	5
Default Communication Objects .....	5
Configuration Parameters .....	9
Annexes .....	28
index – communication objects .....	28

## WARNINGS AND ENVIRONMENTAL POLICY

### PRECAUTIONS

For your security, and to protect the devices, follow these instructions:

- Do not handle the system with wet or damp hands.
- Disconnect the power supply before making any connections.
- Take care not to cause a short circuit in any of the system connections.

### ENVIRONMENTAL POLICY



Do not dispose of this equipment in the household waste. Electrical and electronic equipment contain substances that may damage the environment if they are not handled appropriately. The symbol of a crossed-out waste bin indicates that electrical equipment should be collected separately from other urban waste. For correct environmental management, it must be taken to the collection centers provided for this purpose, at the end of its useful life.

The equipment's components may be recycled. Act in accordance with current regulations on environmental protection.

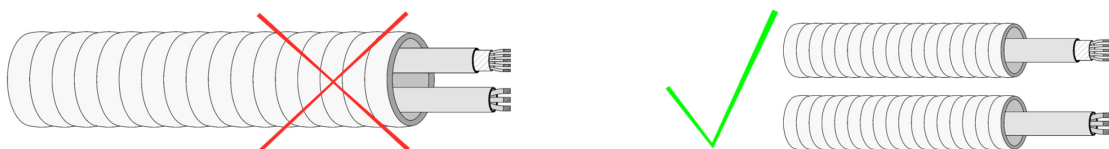
If you replace it with other equipment, you must return it to the distributor or take it to a specialized collection center.

Those breaking the law or by-laws will be subject to such fines and measures as are laid down in environmental protection legislation.

## GENERAL REQUIREMENTS

Strictly follow the directions outlined in this manual:

- This system must be installed by a qualified technician.
- Verify that the units to be controlled have been installed according to the manufacturer's requirements and operate correctly before installing the Airzone System.
- Locate and connect all the devices of the installation in accordance with the electronic regulations in force.
- Verify that the air conditioning installation to be controlled is in accordance with the regulations in force.
- Perform all the connections with total absence of power supply.
- Do not place the system bus close to lines of force, fluorescent lights, LED lamps, motors, etc. It might cause interference on the communications.



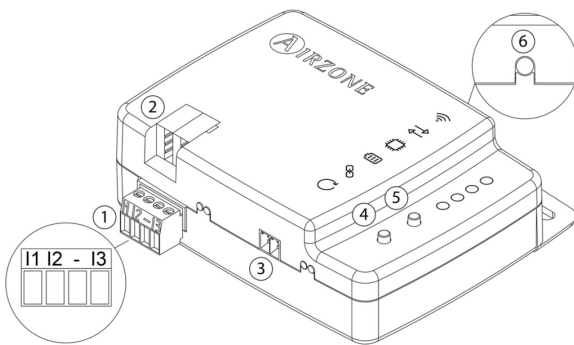
- Respect the connection polarity of each device. A wrong connection may seriously damage the product.

## INTRODUCTION

Device to manage and integrate HVAC units in KNX TP-1 control systems. Externally powered by the indoor unit.

Features:

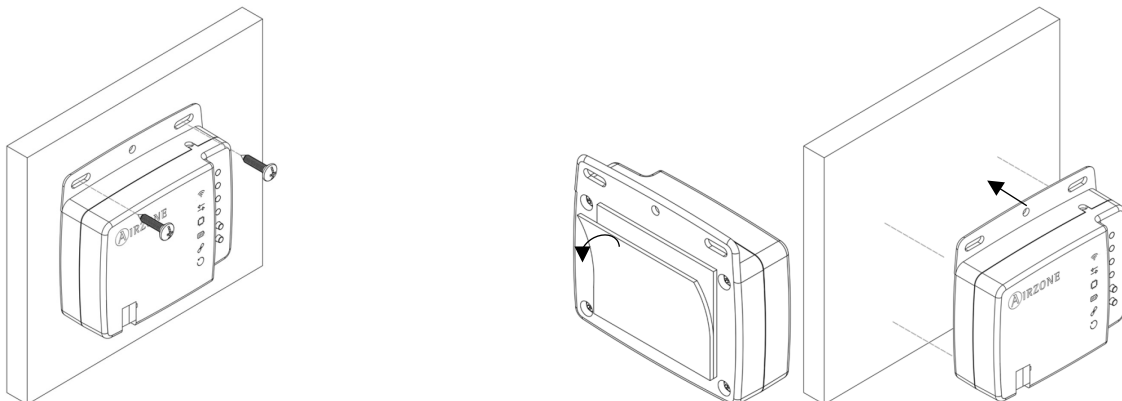
- Control of the parameters of the unit.
- KNX Control.
- KNX standard data.
- 3 digital inputs.
- Easily configurable from ETS.
- Communication errors detection.



Meaning	
①	I1 Digital input 1
	I2 Digital input 2
	- Common input
	I3 Digital input 3
②	KNX Connection
③	Indoor unit port
④	Device reset
⑤	Enable KNX programming

## ASSEMBLY

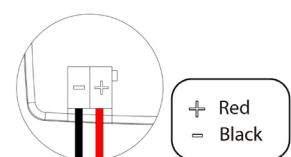
The device can be mounted using screws or double-sided adhesive tape (included with the product).



## CONNECTION

To connect the device to the AC unit, **follow the instructions on the technical data sheet that comes with the Aidoo.**

It has a standard KNX connector for connecting to the KNX bus. Connect the Aidoo to the KNX TP-1 bus, following the color code.





## CONFIGURATION

This device is totally compatible with KNX, so you can configure it and set it up through ETS tool.

To do this, download the product database at:

[http://doc.airzone.es/producto/actuales/Airzone/Comunes/Softwares/BBDD\\_AZX6KNXGTWAY.zip](http://doc.airzone.es/producto/actuales/Airzone/Comunes/Softwares/BBDD_AZX6KNXGTWAY.zip)

The installation of the database in the ETS tool is carried out following the usual procedure for importing new products.



## COMMUNICATION OBJECTS

The Aidoo KNX device has a series of communication objects available for configuration by default (see the [Default communication objects](#) section). If you wish to use all the communication objects contained in this device, go to the Parameters tab in order to enable them (see the [Configuration Parameters](#) section for more information).

**IMPORTANT:** The number of functionalities that can be controlled by the different communication objects offered by the Aidoo KNX device will depend on the particular AC unit being controlled.

To view all the communication objects available on the Aidoo KNX device, please go to [Annexes – Index - Communication Objects](#) for more information.

### DEFAULT COMMUNICATION OBJECTS

The default communication objects available in ETS for the Aidoo KNX device are:

<b>Object number</b>	<b>1: Control On/Off</b>	
<b>Description</b>	This allows you to switch the AC unit on or off.	
<b>Values</b>	0 à Off	1 à On
<b>Type of access to the Bus</b>	Write	
<b>Data point identification</b>	1.001 (DPT_Switch)	

<b>Object number</b>	<b>2: Control Mode</b>	
<b>Description</b>	This allows you to change the AC unit's operating mode. Changing the value of the object will change the mode.	
<b>Values</b>	0 à Auto 1 à Heat 3 à Cool	9 à Fan 14 à Dry
<b>Type of access to the Bus</b>	Write	
<b>Data point identification</b>	20.105 (DPT_HVACContrMode)	

<b>Object number</b>	<b>12: Control fan speed / 3 speed</b>	
<b>Description</b>	This allows you to change the AC unit's ventilation speed. Changing the value of the object will change the ventilation speed.	
<b>Values</b>	0...49% à Speed 1 50...82% à Speed 2 83...100% à Speed 3	1 à Speed 1 2 à Speed 2 3 à Speed 3
<b>Type of access to the Bus</b>	Write	
<b>Data point identification</b>	5.001 (DPT_Scalling)	5.010 (DPT_Enumerated)

**Note:** You can configure the object type in the Fan Configuration section, under the Parameters tab in ETS. By default it is configured as Datapoint 5.001 (percentage control). See the [Configuration Parameters – Fan Configuration](#) section for more information.

<b>Object number</b>	<b>18: Control Vanes U-D/5 pos</b>	
<b>Description</b>	This allows you to change the position of the slats in the AC unit. Changing the value of the object will change the position of the slats.	
<b>Values</b>	0%...29% à Position 1	1 à Position 1
	30%...49% à Position 2	2 à Position 2
	50%...69% à Position 3	3 à Position 3
	70%...89% à Position 4	4 à Position 4
	90%...100% à Position 5	5 à Position 5
<b>Type of access to the Bus</b>	Write	
<b>Data point identification</b>	5.001 (DPT_Scalling)	5.010 (DPT_Enumerated)

**Note:** Configure the object type in the Vanes Up-Down configuration section, under the Parameters tab in ETS. By default it is configured as Datapoint 5.001 (percentage control). See the [Configuration Parameters – Vanes Up-Down configuration](#) section for more information.

<b>Object number</b>	<b>27: Control Setpoint Temperature</b>	
<b>Description</b>	This allows you to select the AC unit's set-point temperature in increments of 1°C.	
<b>Values</b>	<i>Varies depending on manufacturer and type of AC unit.</i>	
<b>Type of access to the Bus</b>	Write	
<b>Data point identification</b>	9.001 (DPT_Value_Temp)	

<b>Object number</b>	<b>51: Status On/Off</b>	
<b>Description</b>	This displays the status of the AC unit (on or off).	
<b>Valores disponibles</b>	0 à Off	1 à On
<b>Tipo de acceso al bus</b>	Reading	
<b>Identificación Datapoint</b>	1.001 (DPT_Switch)	

<b>Object number</b>	<b>52: Status mode</b>	
<b>Description</b>	Position.	
<b>Values</b>	0 à Auto	9 à Fan
	1 à Heat	14 à Dry
	3 à Cool	
<b>Type of access to the Bus</b>	Reading	
<b>Data point identification</b>	20.105 (DPT_Hvaccontrmode)	

<b>Object number</b>	<b>60: Status Fan speed / 3 speed</b>	
<b>Description</b>	This displays the AC unit's ventilation speed.	
<b>Values</b>	33% à Speed 1 67% à Speed 2 100% à Speed 3	1 à Speed 1 2 à Speed 2 3 à Speed 3
<b>Type of access to the Bus</b>	Reading	
<b>Data point identification</b>	5.001 (DPT_Scalling)	5.010 (DPT_Enumerated)

**Note:** Configure the object type in the Vanes Up-Down configuration section, under the Parameters tab in ETS. By default it is configured as Datapoint 5.001 (percentage control). See the [Configuration Parameters – Vanes Up-Down configuration](#) section for more information.

<b>Object number</b>	<b>66: Status Vanes U-D/5Pos</b>	
<b>Description</b>	This displays the position of the AC unit's slats.	
<b>Values</b>	20% à Position 1 40% à Position 2 60 % à Position 3 80% à Position 4 100% à Position 5	1 à Position 1 2 à Position 2 3 à Position 3 4 à Position 4 5 à Position 5
<b>Type of access to the Bus</b>	Reading	
<b>Data point identification</b>	5.001 (DPT_Scalling)	5.010 (DPT_Enumerated)

**Note:** Configure the object type in the Vanes Up-Down configuration section, under the Parameters tab in ETS. By default it is configured as Datapoint 5.001 (percentage control). See the [Configuration Parameters – Vanes Up-Down configuration](#) section for more information.

<b>Object number</b>	<b>75: Status AC Setpoint Temperature</b>	
<b>Description</b>	This displays the set-point temperature selected for the AC unit (°C).	
<b>Values</b>	<i>Varies depending on manufacturer and type of AC unit.</i>	
<b>Type of access to the Bus</b>	Reading	
<b>Data point identification</b>	9.001 (DPT_Value_Temp)	

<b>Object number</b>	<b>76: Status AC Return Temperature</b>	
<b>Description</b>	This displays the AC unit's return temperature (°C).	
<b>Values</b>	<i>Varies depending on manufacturer and type of AC unit.</i>	
<b>Type of access to the Bus</b>	Reading	
<b>Data point identification</b>	9.001 (DPT_Value_Temp)	

<b>Object number</b>	<b>77: Internal probe temperature</b>
<b>Description</b>	This displays the temperature measured by the AC unit's internal probe (°C).
<b>Values</b>	<i>Varies depending on manufacturer and type of AC unit.</i>
<b>Type of access to the Bus</b>	Reading
<b>Data point identification</b>	9.001 (DPT_Value_Temp)

<b>Object number</b>	<b>78: External probe temperature</b>
<b>Description</b>	This displays the temperature measured by the AC unit's external probe (°C).
<b>Values</b>	<i>Varies depending on manufacturer and type of AC unit.</i>
<b>Type of access to the Bus</b>	Reading
<b>Data point identification</b>	9.001 (DPT_Value_Temp)

<b>Object number</b>	<b>81: Status Error/Alarm</b>
<b>Description</b>	This shows whether or not an error has occurred in the AC unit.
<b>Values</b>	0 à No error/alarm    1 à An error/alarm has occurred
<b>Type of access to the Bus</b>	Reading
<b>Data point identification</b>	1.005 (DPT_Alarm)

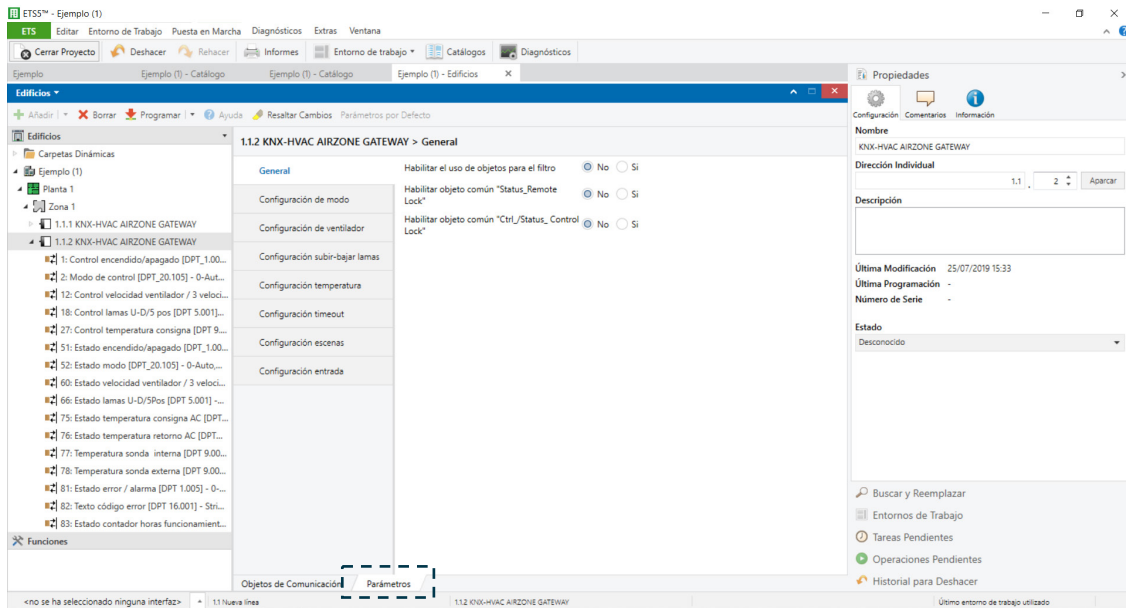
<b>Object number</b>	<b>82: Error text code</b>
<b>Description</b>	This displays the text of the error that has occurred in the AC unit.
<b>Values</b>	<i>Según fabricante y tipo de unidad</i>
<b>Type of access to the Bus</b>	Reading
<b>Data point identification</b>	16.001 (DTP_String_8859_1)

<b>Object number</b>	<b>83: Status Operation Hour Counter</b>
<b>Description</b>	This displays the AC unit's number of operating hours.
<b>Values</b>	<i>Number of operating hours</i>
<b>Type of access to the Bus</b>	Reading
<b>Data point identification</b>	13.100 (DPT_Value_2_Ucount)



## CONFIGURATION PARAMETERS

The Aidoo KNX device has a series of communication objects that can be enabled for use via the Parameters tab in ETS.



### General

- **Enable use of objects for filter**

<b>Object number</b>	<b>31: Control Reset Filter</b>
<b>Description</b>	This resets the filter cleaning warning counter on the AC unit.
<b>Values</b>	1 à Reset
<b>Type of access to the Bus</b>	Write
<b>Data point identification</b>	1.015 (DPT_Reset)

<b>Object number</b>	<b>79: Status Reset Filter</b>
<b>Description</b>	This shows whether or not there has been a warning from the AC unit regarding filter cleaning.
<b>Values</b>	0 à No alarm                                  0 à Alarm
<b>Type of access to the Bus</b>	Reading
<b>Data point identification</b>	1.002 (DPT_Bool)

- **Enable comm obj "Status\_Remote Lock"**

<b>Object number</b>	<b>84: Status Lock Remote Control</b>
<b>Description</b>	This allows you to lock control from the AC unit's controller.
<b>Values</b>	0 à Unlocked                                  1 à Locked
<b>Type of access to the Bus</b>	Write
<b>Data point identification</b>	1.002 (DPT_Bool)

- **Enable comm obj “Ctrl\_/Status\_Control Lock”**

<b>Object number</b>	<b>36: Control Lock Control Objects</b>	
<b>Description</b>	This allows you to lock control from KNX communication objects.	
<b>Values</b>	0 à Unlocked	1 à Locked
<b>Type of access to the Bus</b>	Write	
<b>Data point identification</b>	1.002 (DPT_Bool)	

<b>Object number</b>	<b>85: Status Lock Control Objects</b>	
<b>Description</b>	This shows whether control has been locked from KNX communication objects.	
<b>Values</b>	0 à Unlocked	1 à Locked
<b>Type of access to the Bus</b>	Write	
<b>Data point identification</b>	1.002 (DPT_Bool)	

### Mode configuration

- **Enable “Mode Cool/Heat” objects**

<b>Object number</b>	<b>3: Control Mode Cool/Heat</b>	
<b>Description</b>	This allows you to select the AC unit’s operating mode (Cooling or Heating) by changing the value of the object.	
<b>Values</b>	0 à Cool	1 à Heat
<b>Type of access to the Bus</b>	Write	
<b>Data point identification</b>	1.100 (DPT_Heat/Cool)	

<b>Object number</b>	<b>53: Status Mode Cool/Heat</b>	
<b>Description</b>	This displays the operating mode (Cooling or Heating) currently selected for the AC unit.	
<b>Values</b>	0 à Cool	1 à Heat
<b>Type of access to the Bus</b>	Reading	
<b>Data point identification</b>	1.100 (DPT_Heat/Cool)	

- **Enable PID-Compat Scaling Mode Objects**

<b>Object number</b>	<b>4: Control Mode Cool &amp; On</b>	
<b>Description</b>	This allows you to switch the AC unit on or off, with the selected operating mode being Cooling.	
<b>Values</b>	0 à Off	1... 100% à On + Cool
<b>Type of access to the Bus</b>	Write	
<b>Data point identification</b>	5.001 (DPT_Scaling)	

<b>Object number</b>	<b>5: Control Mode Heat &amp; On</b>
<b>Description</b>	This allows you to switch the AC unit on or off, with the selected operating mode being Heating.
<b>Values</b>	0 à Off <span style="float: right;">1... 100% à On + Heat</span>
<b>Type of access to the Bus</b>	Write
<b>Data point identification</b>	5.001 (DPT_Scaling)

**Enable use of bit-type Mode objects**

<b>Object number</b>	<b>6: Control Mode Auto</b>
<b>Description</b>	This allows you to select the Auto mode as the AC unit's operating mode.
<b>Values</b>	1 à Mode Auto
<b>Type of access to the Bus</b>	Write
<b>Data point identification</b>	1.002 (DPT_Bool)

<b>Object number</b>	<b>7: Control Mode heat</b>
<b>Description</b>	This allows you to select the Heating mode as the AC unit's operating mode.
<b>Values</b>	1 à Mode Heat
<b>Type of access to the Bus</b>	Write
<b>Data point identification</b>	1.002 (DPT_Bool)

<b>Object number</b>	<b>8: Control Mode Cool</b>
<b>Description</b>	This allows you to select the Cooling mode as the AC unit's operating mode.
<b>Values</b>	1 à Mode Cool
<b>Type of access to the Bus</b>	Write
<b>Data point identification</b>	1.002 (DPT_Bool)

<b>Object number</b>	<b>9: Control Mode Fan</b>
<b>Description</b>	This allows you to select the Ventilation mode as the AC unit's operating mode.
<b>Values</b>	1 à Mode Fan
<b>Type of access to the Bus</b>	Write
<b>Data point identification</b>	1.002 (DPT_Bool)

<b>Object number</b>	<b>10: Control Mode Dry</b>
<b>Description</b>	This allows you to select the Dry mode as the AC unit's operating mode.
<b>Values</b>	1 à Mode Dry
<b>Type of access to the Bus</b>	Write
<b>Data point identification</b>	1.002 (DPT_Bool)

<b>Object number</b>	<b>54: Status Mode Auto</b>
<b>Description</b>	This shows that the operating mode currently selected for the AC unit is Auto mode.
<b>Values</b>	1 à Mode Auto
<b>Type of access to the Bus</b>	Reading
<b>Data point identification</b>	1.002 (DPT_Bool)

<b>Object number</b>	<b>55: Status Mode Heat</b>
<b>Description</b>	This shows that the operating mode currently selected for the AC unit is Heating mode.
<b>Values</b>	1 à Mode Heat
<b>Type of access to the Bus</b>	Reading
<b>Data point identification</b>	1.002 (DPT_Bool)

<b>Object number</b>	<b>56: Status Mode Cool</b>
<b>Description</b>	This shows that the operating mode currently selected for the AC unit is Cooling mode.
<b>Values</b>	1 à Mode Cool
<b>Type of access to the Bus</b>	Reading
<b>Data point identification</b>	1.002 (DPT_Bool)

<b>Object number</b>	<b>57: Status Mode Fan</b>
<b>Description</b>	This shows that the operating mode currently selected for the AC unit is Ventilation mode.
<b>Values</b>	1 à Mode Fan
<b>Type of access to the Bus</b>	Reading
<b>Data point identification</b>	1.002 (DPT_Bool)

<b>Object number</b>	<b>58: Status Mode Dry</b>
<b>Description</b>	This shows that the operating mode currently selected for the AC unit is Dry mode.
<b>Values</b>	1 à Mode Dry
<b>Type of access to the Bus</b>	Reading
<b>Data point identification</b>	1.002 (DPT_Bool)

- **Enable use of +/- object for mode**

Select whether you want to use Datapoint DPT 1.007 (0 = Decrease) or DTP 1.008 (0 = Increase).

<b>Object number</b>	<b>11: Control Mode +/-</b>	
<b>Description</b>	This allows you to modify the system's operating mode.	
<b>Values</b>	0 à Decrease	1 à Increase
	1 à Increase	0 à Decrease
<b>Type of access to the Bus</b>	Write	
<b>Data point identification</b>	1.007 (DPT_Step)	1.008 (DPT_UpDown)

- **Enable use of text object for Mode**

<b>Object number</b>	<b>59: Status Mode Text</b>
<b>Description</b>	This displays the AC unit's operating mode.
<b>Values</b>	ASCII String
<b>Type of access to the Bus</b>	Reading
<b>Data point identification</b>	16.001 (DPT_String_8859_1)

## Fan Configuration

- **DPT object type for fan speed**

Select whether you want to use Datapoint DPT 5.001 (percentage control) or DTP 5.010 (number control) for controlling and reading the AC unit's ventilation speed status:

<b>5.001 (DPT_Scaling)</b>	<b>5.010 (DPT_Enumerated)</b>
0...49% à Speed 1	1 à Speed 1
50...82% à Speed 2	2 à Speed 2
83...100% à Speed 3	3 à Speed 3

- **Enable use of bit-type Fan Speed objects**

<b>Object number</b>	<b>13: Control Fan Speed Man/Auto</b>
<b>Description</b>	This allows you to switch the AC unit's ventilation mode between Manual and Auto by changing the value of the object.
<b>Values</b>	1 à Auto
<b>Type of access to the Bus</b>	Write
<b>Data point identification</b>	1.002 (DPT_Bool)

<b>Object number</b>	<b>14: Control Fan Speed 1</b>
<b>Description</b>	This allows you to activate the ventilation speed 1 in the AC unit.
<b>Values</b>	1 à On
<b>Type of access to the Bus</b>	Write
<b>Data point identification</b>	1.002 (DPT_Bool)

<b>Object number</b>	<b>15: Control Fan Speed 2</b>
<b>Description</b>	This allows you to activate the ventilation speed 2 in the AC unit.
<b>Values</b>	1 à On
<b>Type of access to the Bus</b>	Write
<b>Data point identification</b>	1.002 (DPT_Bool)

<b>Object number</b>	<b>16: Control Fan Speed 3</b>
<b>Description</b>	This allows you to activate the ventilation speed 3 in the AC unit.
<b>Values</b>	1 à On
<b>Type of access to the Bus</b>	Write
<b>Data point identification</b>	1.002 (DPT_Bool)

<b>Object number</b>	<b>61: Status Fan Speed Manual/Auto</b>
<b>Description</b>	This shows whether the AC unit's ventilation speed is set to Manual or Auto.
<b>Values</b>	0 à Manual                                      1 à Auto
<b>Type of access to the Bus</b>	Reading
<b>Data point identification</b>	1.002 (DPT_Bool)

<b>Object number</b>	<b>62: Status Fan Speed 1</b>
<b>Description</b>	This shows whether the AC unit's ventilation speed is set to Speed 1.
<b>Values</b>	1 à Speed 1
<b>Type of access to the Bus</b>	Reading
<b>Data point identification</b>	1.002 (DPT_Bool)

<b>Object number</b>	<b>63: Status Fan Speed 2</b>
<b>Description</b>	This shows whether the AC unit's ventilation speed is set to Speed 2.
<b>Values</b>	1 à Speed 2
<b>Type of access to the Bus</b>	Reading
<b>Data point identification</b>	1.002 (DPT_Bool)

<b>Object number</b>	<b>64: Status Fan Speed 3</b>
<b>Description</b>	This shows whether the AC unit's ventilation speed is set to Speed 3.
<b>Values</b>	1 à Speed 3
<b>Type of access to the Bus</b>	Reading
<b>Data point identification</b>	1.002 (DPT_Bool)

- **Enable use of +/- object for fan speed**

Select whether you want to use Datapoint DPT 1.007 (0 = Decrease) or DTP 1.008 (0 = Increase).

<b>Object number</b>	<b>17: Control Fan Speed +/-</b>	
<b>Description</b>	This allows you to control the AC unit's ventilation speed.	
<b>Values</b>	0 à Decrease	1 à Increase
	1 à Increase	0 à Decrease
<b>Type of access to the Bus</b>	Write	
<b>Data point identification</b>	1.007 (DPT_Step)	1.008 (DPT_UpDown)

- **Enable use of Text object for fan speed**

<b>Object number</b>	<b>65: Status Fan Speed Text</b>
<b>Description</b>	This displays the AC unit's ventilation speed.
<b>Values</b>	ASCII String
<b>Type of access to the Bus</b>	Reading
<b>Data point identification</b>	16.001 (DPT_String_8859_1)

### Vanes Up-Down configuration

- **DPT object types for Vanes Up-Down**

Select whether you want to use Datapoint DPT 5.001 (percentage control) or DTP 5.010 (number control) for controlling and reading the status of the AC unit's slats:

<b>5.001 (DPT_Scaling)</b>	<b>5.010 (DPT_Enumerated)</b>
0%...29% à Position 1	1 à Position 1
30%...49% à Position 2	2 à Position 2
50%...69% à Position 3	3 à Position 3
70%...89% à Position 4	4 à Position 4
90%...100% à Position 5	5 à Position 5

- **Enable use of bit-type Vanes Up-Down objects**

<b>Object number</b>	<b>19: Control Vanes U-D Standby</b>	
<b>Description</b>	This allows you to activate the Standby function for the AC unit's slats.	
<b>Values</b>	0 à Off	1 à On
<b>Type of access to the Bus</b>	Write	
<b>Data point identification</b>	1.002 (DPT_Bool)	

<b>Object number</b>	<b>20: Control Vanes U-D Pos1</b>
<b>Description</b>	This allows you activate Position 1 for the AC unit's slats.
<b>Values</b>	1 à Position 1
<b>Type of access to the Bus</b>	Write
<b>Data point identification</b>	1.002 (DPT_Bool)







- **Enable use of +/- Object for Vanes Up-Down**

Select whether you want to use Datapoint DPT 1.007 (0 = Decrease) or DTP 1.008 (0 = Increase).

<b>Object number</b>	<b>26: Control Vanes U-D +/-</b>	
<b>Description</b>	This allows you to control the AC unit's slats.	
<b>Values</b>	0 à Decrease	1 à Increase
	1 à Increase	0 à Decrease
<b>Type of access to the Bus</b>	Write	
<b>Data point identification</b>	1.007 (DPT_Step)	1.008 (DPT_UpDown)

- **Enable use of text object for Vanes Up-Down**

<b>Object number</b>	<b>74: Status Vanes U-D texto</b>
<b>Description</b>	This displays the position of the AC unit's slats.
<b>Values</b>	ASCII String
<b>Type of access to the Bus</b>	Reading
<b>Data point identification</b>	16.001 (DPT_String_8859_1)

### Temperature configuration

- **Periodic sending of "Status\_AC Setpoint" (in seconds, 0=No periodic sending)**

Indicate how often you want the set-point temperature status to be sent to the AC unit (in seconds).

- **Enable use of +/-object for setpoint**

Select whether you want to use Datapoint DPT 1.007 (0 = Decrease) or DTP 1.008 (0 = Increase).

<b>Object number</b>	<b>28: Control Setpoint Temperature +/-</b>	
<b>Description</b>	This allows you to raise or lower the set-point temperature of the AC unit in increments of 1°C.	
<b>Values</b>	0 à Decrease	1 à Increase
	1 à Increase	0 à Decrease
<b>Type of access to the Bus</b>	Write	
<b>Data point identification</b>	1.007 (DPT_Step)	1.008 (DPT_UpDown)

- **Enable limits on Control\_Setpoint obj**

Select the minimum and maximum set-point temperature that can be set for the AC unit (in increments of 1°C).

<b>Object number</b>	<b>30: Control Setpoint limitation</b>	
<b>Description</b>	This allows you to enable the function to limit the AC unit's set-point temperature.	
<b>Values</b>	0 à Disable	1 à Enable
<b>Type of access to the Bus</b>	Write	
<b>Data point identification</b>	DTP_Switch	

- **Ambient temperature is provided from KNK.** This enables/disables ambient temperature reading from a KNX device.

<b>Object number</b>	<b>29: Control Ambient Temperature</b>
<b>Description</b>	This sends the ambient temperature measured from a KNX device to the indoor unit.
<b>Values</b>	(°C)
<b>Type of access to the Bus</b>	Write
<b>Data point identification</b>	9.001 (DTP_Value_Temp)

#### Timeouts configuration

- **Enable use of Open window.** If you select Yes, object 32 will be enabled.
  - **AC window Timeout (min).** Select the time after which the AC unit will turn off, following the receipt of an open window warning (0) (from 0 to 255 minutes). If the window closes (1) during this time, the timer will be canceled.
  - **Disallow On/Off operation when timeout is elapsed.** Select whether you want to allow the AC unit to be switched on/off when the selected timeout has elapsed.

<b>Object number</b>	<b>32: Control Window Contact Status</b>
<b>Description</b>	This displays the window contact status.
<b>Values</b>	0 à Open    1 à Closed
<b>Type of access to the Bus</b>	Write
<b>Data point identification</b>	1.009 (DPT_OpenClose)

- **Enable use of Switch off timeout function.** If you select Yes, object 33 will be enabled.
  - **AC switch-off timeout (min).** Select the time after which the AC unit will turn off, following the receipt of a warning that the switch has been activated (1) (from 0 to 255 minutes). If the switch is deactivated (0) during this time, the timer will be canceled.
  - **Disallow On/Off operation when timeout is elapsed.** Select whether you want to allow the AC unit to be switched on/off when the selected timeout has elapsed.

<b>Object number</b>	<b>33: Control Switch Off timeout</b>
<b>Description</b>	This allows you to activate a timer for switching off the AC unit.
<b>Values</b>	0 à Stop    1 à Start
<b>Type of access to the Bus</b>	Write
<b>Data point identification</b>	1.010 (DPT_Start)

- **Enable use of Occupancy Window.** If you select Yes, object 34 will be enabled.
  - **Timeout to applied actions (min).** Select the time after which the AC unit will carry out the selected action, following the receipt of a warning that the contact has been activated (1) (from 0 to 255 minutes). If the contact is deactivated (0) during this time, the timer will be canceled.
  - **Action after timeout elapsed.** Select the action to be carried out after the timeout has elapsed: Switch off the AC unit or put it into unoccupied mode (the set-point temperature will change by 1°C for each time interval set, up to a total of 3°C, after which the unit will be switched off).

- **Disallow On/Off operation when not occupied.** Select whether you want to allow the AC unit to be switched on/off when the selected timeout has elapsed.

<b>Object number</b>	<b>34: Control Occupancy</b>
<b>Description</b>	This allows you to activate the Unoccupied function in order to switch the AC unit off or put it into unoccupied mode.
<b>Values</b>	0 à Not occupied                      1 à Occupied
<b>Type of access to the Bus</b>	Write
<b>Data point identification</b>	1.018 (DPT_Occupancy)

- **Enable use of Sleep function.** If you select Yes, object 35 will be enabled.

- **Slepp function switch-off timeout (min).** Select the time after which the AC unit will turn off, following the receipt of a warning that the switch has been activated (0) (from 0 to 255 minutes). If the switch is deactivated (1) during this time, the timer will be canceled.

<b>Object number</b>	<b>35: Control timeout Sleep</b>
<b>Description</b>	This allows you to activate a timer for switching off the AC unit.
<b>Values</b>	0 à Stop                                      1 à Start
<b>Type of access to the Bus</b>	Write
<b>Data point identification</b>	1.010 (DPT_Start)

### Scenes configuration

- **Enable use of scenes**

<b>Object number</b>	<b>37: Control save / scene</b>
<b>Description</b>	This allows you to save or execute scenes. Changing the value of the object will change the function and scene number.
<b>Values</b>	0...4 à Exe Scene 1 to 5                      128...132 à Save Scene 1 a 5
<b>Type of access to the Bus</b>	Write
<b>Data point identification</b>	18.001 (DPT_SceneControl)

<b>Object number</b>	<b>86: Status Current Scene</b>
<b>Description</b>	This displays the current scene being executed.
<b>Values</b>	0...4 à 1 to 5                                      63 à No scene
<b>Type of access to the Bus</b>	Reading
<b>Data point identification</b>	17.001 (DPT_SceneNumber)

• **Enable use of bit object for storing scenes** (you must have the *Enable use of scenes* parameter enabled)

<b>Object number</b>	<b>38: Control Save Scene 1</b>
<b>Description</b>	This saves the AC unit's settings as Scene 1.
<b>Values</b>	1 à Store Scene 1
<b>Type of access to the Bus</b>	Write
<b>Data point identification</b>	1.002 (DPT_Bool)

<b>Object number</b>	<b>39: Control Save Scene 2</b>
<b>Description</b>	This saves the AC unit's settings as Scene 2.
<b>Values</b>	1 à Store Scene 2
<b>Type of access to the Bus</b>	Write
<b>Data point identification</b>	1.002 (DPT_Bool)

<b>Object number</b>	<b>40: Control Save Scene 3</b>
<b>Description</b>	This saves the AC unit's settings as Scene 3.
<b>Values</b>	1 à Store Scene 3
<b>Type of access to the Bus</b>	Write
<b>Data point identification</b>	1.002 (DPT_Bool)

<b>Object number</b>	<b>41: Control Save Scene 4</b>
<b>Description</b>	This saves the AC unit's settings as Scene 4.
<b>Values</b>	1 à Store Scene 4
<b>Type of access to the Bus</b>	Write
<b>Data point identification</b>	1.002 (DPT_Bool)

<b>Object number</b>	<b>42: Control Save Scene 5</b>
<b>Description</b>	This saves the AC unit's settings as Scene 5.
<b>Values</b>	1 à Store Scene 5
<b>Type of access to the Bus</b>	Write
<b>Data point identification</b>	1.002 (DPT_Bool)

• **Enable use of bit object for scene execution** (you must have the *Enable use of scenes* parameter enabled)

<b>Object number</b>	<b>43: Execute Scene 1</b>
<b>Description</b>	This executes Scene 1.
<b>Values</b>	1 à Execute Scene 1
<b>Type of access to the Bus</b>	Write
<b>Data point identification</b>	1.002 (DPT_Bool)                      1.002 (DPT_Bool)

<b>Object number</b>	<b>44: Execute Scene 2</b>	
<b>Description</b>	This executes Scene 2.	
<b>Values</b>	1 à Execute Scene 2	
<b>Type of access to the Bus</b>	Write	
<b>Data point identification</b>	1.002 (DPT_Bool)	1.002 (DPT_Bool)

<b>Object number</b>	<b>45: Execute Scene 3</b>	
<b>Description</b>	This executes Scene 3.	
<b>Values</b>	1 à Execute Scene 3	
<b>Type of access to the Bus</b>	Write	
<b>Data point identification</b>	1.002 (DPT_Bool)	1.002 (DPT_Bool)

<b>Object number</b>	<b>46: Execute Scene 4</b>	
<b>Description</b>	This executes Scene 4.	
<b>Values</b>	1 à Execute Scene 4	
<b>Type of access to the Bus</b>	Write	
<b>Data point identification</b>	1.002 (DPT_Bool)	1.002 (DPT_Bool)

<b>Object number</b>	<b>47: Execute Scene 5</b>	
<b>Description</b>	This executes Scene 5.	
<b>Values</b>	1 à Execute Scene 5	
<b>Type of access to the Bus</b>	Write	
<b>Data point identification</b>	1.002 (DPT_Bool)	

**Scene 1 / 2 / 3 / 4** (you must have the *Enable use of scenes* parameter enabled)

Select the scene ID (values available from 0 to 63). If you wish to configure each scene from ETS, activate the System Preset parameter and configure the values of each parameter for the desired AC unit:

- **Value for On-Off:** Select if you want to turn the AC unit on/off, or if you do not want to carry out any action.
- **Value for mode:** Select if you want to change the AC unit's operating mode, or if you do not want to carry out any action.
- **Value for fan speed:** Select if you want to change the AC unit's ventilation speed, or if you do not want to carry out any action.
- **Value vanes U-D:** Select if you want to modify the position of the AC unit's slats, or if you do not want to carry out any action.
- **Value for Setpoint:** Select if you want to change the AC unit's set-point temperature (16 - 30°C), or if you do not want to carry out any action.

## Inputs configuration

Enable the use of the Aidoo KNX digital inputs:

- Input 1: Communication objects 87 and 88.
- Input 2: Communication objects 89 and 90.
- Input 3: Communication objects 91 and 92.

The objects will behave differently depending on the configuration of each input.

### Parameters available for configuring each digital input:

- **Contact type.** Defines the contact logic as Normally Open or Normally Closed.
- **Debounce time.** Select the debounce time (in milliseconds) required for the system to recognize there has been a change in the contact.
- **Disabling input object.** Select whether or not you want to enable the object that allows the input to be disabled if necessary ([communication objects 48, 49 and 50](#)). If yes, select whether you want to use Datapoint DPT 1.002 (0 = False) or DTP 1.003 (0 = Disable).
- **Function.** Select the digital input function of the Aidoo KNX:
  - o **Switching.**
    - § **Send telegram after bus recovery.** Select the action to be performed on this digital input after bus recovery (after a power failure): no action, off (0), on (1) or current status.
      - ü **Sending delay after bus recovery.** If an action is selected, indicate the time delay for sending the telegram (in seconds).
    - § **Value on raising Edge (contact activated).** Select the action to be sent to the associated communication object, if it produces a rising edge (activated input): no action, off (0), on (1) or toggle.
    - § **Value on falling Edge (Contact deactivated).** Select the action to be sent to the associated communication object, if it produces a falling edge (deactivated input): no action, off (0), on (1) or toggle.
    - § **Cyclical sending.** Select if you want cyclical sending to occur depending on the status of the digital input: never, always, when the output value is Off, or when the output value is On.
      - ü **Period for cyclical sending (s).** If cyclical sending is selected, indicate the time period (in seconds) for this cycle.
  - o **Dimming.**
    - § **Send telegram after bus recovery.** Select the action to be performed on this digital input after bus recovery (after a power failure): no action, off (0) or on (1).
      - ü **Sending delay after bus recovery.** If an action is selected, indicate the time delay for sending the telegram (in seconds).
    - § **Mode for short (long) operation.** Select the action for a short operation to be sent on a rising edge (activated input): toggle, off/decrease (0) or on/increase (1). A press and hold will result in either an increasing step or a decreasing step.
    - § **Increasing step.** Select the percentage of the increasing step that will be sent for a long operation.
    - § **Decreasing step.** Select the percentage of the decreasing step that will be sent for a long operation.
    - § **Short/long operation limit (ms).** Defines the time that must elapse for the object to interpret that a long operation has occurred (in milliseconds).

- § **Cyclical sending period in long operation (0-No cyclical sending) (ms).** Defines the time (in seconds) during which the long operation must be executed.
  
- **Shutter/blind**
  - § **Send telegram after bus recovery.** Select the action to be performed on this digital input after bus recovery (after a power failure): no action, increase (0) or decrease (1).
    - ü **Sending delay after bus recovery.** If an action is selected, indicate the time delay for sending the telegram (in seconds).
  - § **Operation.** Select the action to be sent on a rising edge (activated input): increase (0), decrease (1) or toggle.
  - § **Method.** Select the operating method for the shutter/blind: step-move-step or move-step.
    - ü **Step-Move-Step.** On a rising edge (activated input) a step telegram will be sent and the counter defined in "Short/long operation limit (ms)" (counter 1) will start.

*Note: No action will be taken if a falling edge (deactivated input) occurs during this time.*

If the rising edge is maintained for longer than the time defined in counter 1, a move telegram will be sent and a second counter, defined in "Vanes adjustment time (ms)" (counter 2), will start. If a falling edge (deactivated input) occurs during the time specified in this second counter, a step telegram will be sent.

*Note: No action will be taken if a falling edge (deactivated input) occurs after this time.*
    - ü **Move-Step.** On a rising edge (activated input), a move telegram will be sent and counter 2 will start ("Vanes adjustment time" (ms)). If a falling edge (deactivated input) occurs during this time, a stop telegram will be sent.

*Note: No action will be taken if a falling edge (deactivated input) occurs after this time.*
  - § **Shot/long operation limit (ms).** Defines the time that must elapse (counter 1) between a short operation and a long operation (in milliseconds).
  - § **Vanes adjustment time (ms).** Defines the time that must elapse (counter 2) before adjusting the slats or moving the shutter/blind (in milliseconds).
  
- **Value.**
  - § **Send telegram after bus recovery.** Select if you want to send an action (fixed value) on this digital input after bus recovery (after a power failure) or if you do not want to send any action.
    - ü **Sending delay after bus recovery.** If an action is selected, indicate the time delay for sending this telegram (in seconds).
  - § **DTP to be sent.** Select the type of DTP to be sent:
    - ü DTP 5.010 (1 byte unsigned). Values: 0 ... 255.
    - ü DTP 7.001 (2 bytes unsigned). Values: 0 ... 655335.
    - ü DTP 8.001 (2 bytes signed). Values: -32767 ... 32767.
    - ü DTP 9.001 (temperature). Values: 0 ... 255.
    - ü DTP 12.001 (4 bytes unsigned). Values: 0 ... 4294967295.
  - § **Value on raising edge (when contact activated).** Defines the value to be sent when the contact is activated.



- **Scene (internal).** Activates a scene by activating the configured digital input.
  - § **Scene when contact is activated.** Select the scene that will be activated when the digital input is activated.
- **Occupancy (interneel).** Switches to Occupied mode when the configured digital input is activated.
- **Window (internal).** Activates the Window Contact timer when this digital input is activated.

#### Communication objects:

- **Digital input status**

##### Digital input I1

Object number	87: Status In1		
	Switching	Dimming On/Off	Blind step
Description	Displays the status of digital input I1 of the Aidoo KNX.		
Values	0 à Off	0 à Off	0 à Up
	1 à On	1 à On	1 à Down
Type of access to the Bus	Reading		
Data point identification	1.001 (DTP_Switch)	1.001 (DTP_Switch)	1.007 (DTP_UpDown)

Object number	88: Status In1		
	Value	Dimming step	Blind move
Description	Shows the value generated according to the behavior of the defined input.		
Values	0 ... 255	Regulation step	0 à Up
	0 ... 655335		1 à Down
	-32767 ... 32767		
	0 ... 255		
	0 ... 4294967295		
Type of access to the Bus	Reading		
Data point identification	5.010 (DTP_Value_1_Ucount)	3.007 (DTP_Control_Dimm.)	1.008 (DTP_UpDown)
	7.001 (DTP_Value_2_Ucount)		
	8.001 (DTP_Value_2_Ucount)		
	9.001 (DTP_Value_Temp)		
	12.001 (DTP_Value_4_Ucount)		

### Digital input I2

Object number	89: Status In2		
	Switching	Dimmind On/Off	Blind step
Description	Displays the status of digital input I2 of the Aidoo KNX.		
Values	0 à Off	0 à Off	0 à Up
	1 à On	1 à On	1 à Down
Type of access to the Bus	Reading		
Data point identification	1.001 (DTP_Switch)	1.001 (DTP_Switch)	1.007 (DTP_UpDown)

Object number	90: Status In2		
	Value	Dimming step	Blind move
Description	Shows the value generated according to the behavior of the defined input.		
Values	0 ... 255	Regulation step	0 à Up
	0 ... 655335		1 à Down
	-32767 ... 32767		
	0 ... 255		
	0 ... 4294967295		
Type of access to the Bus	Reading		
Data point identification	5.010 (DTP_Value_1_Ucount)	3.007 (DTP_Control_Dimm.)	1.008 (DTP_UpDown)
	7.001 (DTP_Value_2_Ucount)		
	8.001 (DTP_Value_2_Ucount)		
	9.001 (DTP_Value_Temp)		
	12.001 (DTP_Value_4_Ucount)		

### Digital input I3

Object number	91: Status In3		
	Switching	Dimmind On/Off	Blind step
Description	Displays the status of digital input I3 of the Aidoo KNX.		
Values	0 à Off	0 à Off	0 à Up
	1 à On	1 à On	1 à Down
Type of access to the Bus	Reading		
Data point identification	1.001 (DTP_Switch)	1.001 (DTP_Switch)	1.007 (DTP_UpDown)

<b>Object number</b>	<b>92: Status In3</b>		
	<b>Value</b>	<b>Dimming step</b>	<b>Blind move</b>
<b>Description</b>	Shows the value generated according to the behavior of the defined input.		
<b>Values</b>	0 ... 255 0 ... 655335 -32767 ... 32767 0 ... 255 0 ... 4294967295	Regulation step	0 à Up 1 à Down
<b>Type of access to the Bus</b>	Reading		
<b>Data point identification</b>	5.010 (DTP_Value_1_Ucount) 7.001 (DTP_Value_2_Ucount) 8.001 (DTP_Value_2_Ucount) 9.001 (DTP_Value_Temp) 12.001 (DTP_Value_4_Ucount)	3.007 (DTP_Control_Dimm.)	1.008 (DTP_UpDown)

#### Disable digital inputs

<b>Object number</b>	<b>48: Control Disable Input 1</b>		
<b>Description</b>	This allows the use of input I1 of the Aidoo KNX to be disabled.		
<b>Values</b>	0 à False 1 à True	0 à Disable 1 à Enable	
<b>Type of access to the Bus</b>	Reading		
<b>Data point identification</b>	1.002 (DPT_Bool)	1.003 (DTP_Enable)	

<b>Object number</b>	<b>49: Control Disable Input 2</b>		
<b>Description</b>	This allows the use of input I2 of the Aidoo KNX to be disabled.		
<b>Values</b>	0 à False 1 à True	0 à Disable 1 à Enable	
<b>Type of access to the Bus</b>	Reading		
<b>Data point identification</b>	1.002 (DPT_Bool)	1.003 (DTP_Enable)	

<b>Object number</b>	<b>50: Control Disable Input 3</b>		
<b>Description</b>	This allows the use of input I3 of the Aidoo KNX to be disabled.		
<b>Values</b>	0 à False 1 à True	0 à Disable 1 à Enable	
<b>Type of access to the Bus</b>	Reading		
<b>Data point identification</b>	1.002 (DPT_Bool)	1.003 (DTP_Enable)	

## ANNEXES

### INDEX – COMMUNICATION OBJECTS

Object number	Name	Values	Flags	Datapoint	
1	Control On/Off	0 – Off 1 – On	W	DPT_Switch	1.001
2	Control Mode	0 – Auto 1 – Heat 3 – Cool 9 – Fan 14 – Dry	W	DPT_HVACContrMode	20.105
3	Control Mode Cool/Heat	0 – Cool 1 – Heat	W	DPT_Heat/Cool	1.100
4	Control Mode Cool & On	0% – Off 0.1%–100% – On + Cool	W	DPT_Scaling	5.001
5	Control Mode Heat & On	0% – Off 0.1%–100% – On + Heat	W	DPT_Scaling	5.001
6	Control Mode Auto	1 – Auto	W	DPT_Bool	1.002
7	Control Mode Heat	1 – Heat	W	DPT_Bool	1.002
8	Control Mode Cool	1 – Cool	W	DPT_Bool	1.002
9	Control Mode Fan	1 – Fan	W	DPT_Bool	1.002
10	Control Mode Dry	1 – Dry	W	DPT_Bool	1.002
11	Control Mode +/-	0 – Decrease 1 – Increase	W	DPT_Step	1.007
		0 – Up 1 – Down	W	DPT_UpDown	1.008
12	Control Fan Speed / 3 Speeds	0%–49% – Speed 1 50%–82% – Speed 2 83%–100% – Speed 3	W	DPT_Scaling	5.001
		1 – Speed 1 2 – Speed 2 3 – Speed 3	W	DPT_Enumerated	5.010
13	Control Fan Speed Man/Auto	1 – Auto	W	DPT_Bool	1.002
14	Control Fan Speed 1	1 – Set Fan Speed 1	W	DPT_Bool	1.002
15	Control Fan Speed 2	1 – Set Fan Speed 2	W	DPT_Bool	1.002
16	Control Fan Speed 3	1 – Set Fan Speed 3	W	DPT_Bool	1.002
17	Control Fan Speed +/-	0 – Decrease 1 – Increase	W	DPT_Step	1.007
		0 – Up 1 – Down	W	DPT_UpDown	1.008
18	Control Vanes U-D / 5 pos	0...29% – Position 1 30...49% – Position 2 50...69% – Position 3 70...89% – Position 4 90...100% – Position 5	W	DPT_Scaling	5.001
		1 – Position 1 2 – Position 2 3 – Position 3 4 – Position 4 5 – Position 5	W	DPT_Enumerated	5.010
19	Control Vanes U-D Standby	0 – Off 1 – Standby	W	DPT_Bool	1.002
20	Control Vanes U-D Pos1	1 – Set Position 1	W	DPT_Bool	1.002
21	Control Vanes U-D Pos2	1 – Set Position 2	W	DPT_Bool	1.002
22	Control Vanes U-D Pos3	1 – Set Position 3	W	DPT_Bool	1.002

23	Control Vanes U-D Pos4	1 – Set Position 4	W	DPT_Bool	1.002
24	Control Vanes U-D Pos5	1 – Set Position 5	W	DPT_Bool	1.002
25	Control Vanes U-D Swing	0 – Off; 1 – Swing	W	DPT_Bool	1.002
26	Control Vanes U-D +/-	0 – Decrease 1 – Increase	W	DPT_Step	1.007
		0 – Up 1 – Down	W	DPT_UpDown	1.008
27	Control Setpoint Temperature	(°C)	W	DPT_Value_Temp	9.001
28	Control Setpoint Temp +/-	0 – Decrease 1 – Increase	W	DPT_Step	1.007
		0 – Up 1 – Down	W	DPT_UpDown	1.008
29	Control Ambient Temperature	(°C)	W	DPT_Value_Temp	9.001
30	Control Setpoint Limitation	0 – Disable 1 – Enable	W	DPT_Switch	
31	Control Reset Filter	1 – Reset filter	W	DPT_Reset	1.015
32	Control Window Contact Status	0 – Open 1 – Closed	W	DPT_OpenClose	1.009
33	Control Switch Off Timeout	0 – Stop 1 – Start	W	DPT_Start	1.010
34	Control Occupancy	0 – Not Occupied 1 – Occupied	W	DPT_Occupancy	1.018
35	Control Sleep Timeout	0 – Stop 1 – Start	W	DPT_Start	1.010
36	Control Lock Control Objects	0 – Unlocked 1 – Locked	W	DPT_Bool	1.002
37	Control Save/Exec Scene	0...4 – Exec. Scene 1 to 5 128...132 – Save Scene 1 to 5	W	DPT_SceneControl	18.001
38	Control Store Scene1	1 – Store Scene	W	DPT_Bool	1.002
39	Control Store Scene2	1 – Store Scene	W	DPT_Bool	1.002
40	Control Store Scene3	1 – Store Scene	W	DPT_Bool	1.002
41	Control Store Scene4	1 – Store Scene	W	DPT_Bool	1.002
42	Control Store Scene5	1 – Store Scene	W	DPT_Bool	1.002
43	Control Execute Scene1	1 – Execute Scene	W	DPT_Bool	1.002
44	Control Execute Scene2	1 – Execute Scene	W	DPT_Bool	1.002
45	Control Execute Scene3	1 – Execute Scene	W	DPT_Bool	1.002
46	Control Execute Scene4	1 – Execute Scene	W	DPT_Bool	1.002
47	Control Execute Scene5	1 – Execute Scene	W	DPT_Bool	1.002
48	Control Disable Input 1	0 – False 1 – True	W	DPT_Bool	1.002
		0 – Disable 1 – Enable	W	DPT_Enable	1.003
49	Control Disable Input 2	0 – False 1 – True	W	DPT_Bool	1.002
		0 – Disable 1 – Enable	W	DPT_Enable	1.003
50	Control Disable Input 3	0 – False 1 – True	W	DPT_Bool	1.002
		0 – Disable 1 – Enable	W	DPT_Enable	1.003
51	Status On/Off	0 – Off 1 – On	R	DPT_Switch	1.001

52	Status Mode	0 – Auto 1 – Heat 3 – Cool 9 – Fan 14 – Dry	R	DPT_HVACContrMode	20.105
53	Status Mode Cool/Heat	0 – Cool 1 – Heat	R	DPT_Heat/Cool	1.100
54	Status Mode Auto	1 – Auto	R	DPT_Bool	1.002
55	Status Mode Heat	1 – Heat	R	DPT_Bool	1.002
56	Status Mode Cool	1 – Cool	R	DPT_Bool	1.002
57	Status Mode Fan	1 – Fan	R	DPT_Bool	1.002
58	Status Mode Dry	1 – Dry	R	DPT_Bool	1.002
59	Status Mode Text	ASCII String	R	DPT_String_8859_1	16.001
60	Status Fan Speed / 3 Speeds	33% – Speed 1 67% – Speed 2 100% – Speed 3	R	DPT_Scaling	5.001
		1 – Speed 1 2 – Speed 2 3 – Speed 3	R	DPT_Enumerated	5.010
61	Status Fan Speed Manual/Auto	1 – Auto	R	DPT_Bool	1.002
62	Status Fan Speed 1	1 – Fan is in speed 1	R	DPT_Bool	1.002
63	Status Fan Speed 2	1 – Fan is in speed 2	R	DPT_Bool	1.002
64	Status Fan Speed 3	1 – Fan is in Speed 3	R	DPT_Bool	1.002
65	Status Fan Speed Text	ASCII String	R	DPT_String_8859_1	16.001
66	Status Vanes U-D / 5 pos	20% – Position 1 40% – Position 2 60% – Position 3 80% – Position 4 100% – Position 5	R	DPT_Scaling	5.001
		1 – Position 1 2 – Position 2 3 – Position 3 4 – Position 4 5 – Position 5	R	DPT_Enumerated	5.010
67	Status Vanes U-D Standby	0 – Off 1 – Standby	R	DPT_Bool	1.002
68	Status Vanes U-D Pos1	1 – Position 1	R	DPT_Bool	1.002
69	Status Vanes U-D Pos2	1 – Position 2	R	DPT_Bool	1.002
70	Status Vanes U-D Pos3	1 – Position 3	R	DPT_Bool	1.002
71	Status Vanes U-D Pos4	1 – Position 4	R	DPT_Bool	1.002
72	Status Vanes U-D Pos5	1 – Position 5	R	DPT_Bool	1.002
73	Status Vanes U-D Swing	0 – Off 1 – Swing	R	DPT_Bool	1.002
74	Status Vanes U-D Text	ASCII String	R	DPT_String_8859_1	16.001
75	Status AC Setpoint Temp	(°C)	R	DPT_Value_Temp	9.001
76	Status AC Return Temp	(°C)	R	DPT_Value_Temp	9.001
77	Internal probe temperature	0..99 °C	R	DPT_Value_Temp	9.001
78	External probe temperature	0..99 °C	R	DPT_Value_Temp	9.001
79	Status Filter Status	0 – No Alarm 1 – Alarm	R	DPT_Bool	1.002
80	Status setpoint Limitation	0 – Disable 1 – Enable	R	DPT_Switch	1.001
81	Status Error /Alarm	0 – No alarm 1 – Alarm	R	DPT_Alarm	1.005

<b>82</b>	Status Error text code	ASCII String	R	DPT_String_8859_1	16.001
<b>83</b>	Status Operation Hour Counter	<i>Number of operating hours</i>	R	DPT_Value_2_Ucount	13.100
<b>84</b>	Status Lock Remote Control	0 – Unlocked 1 – Locked	W	DPT_Bool	1.002
<b>85</b>	Status Lock Control Objects	0 – Unlocked 1 – Locked	W	DPT_Bool	1.002
<b>86</b>	Status Current Scene	0...4 – Scene 1 to 5 63 – No Scene	R	DPT_SceneNumber	17.001
<b>87</b>	Status In1 - Switching	0 – Off 1 – On	R	DPT_Switch	1.001
	Status In1 – Dimming On/Off	0 – Off 1 – On	R	DPT_Switch	1.001
	Status In1 –Blind Step	0 – Up 1 – Down	R	DPT_UpDown	1.008
<b>88</b>	Status In1 – Value	1 byte unsigned value	R	DPT_Value_1_Ucount	5.010
	Status In1 – Value	2 byte unsigned value	R	DPT_Value_2_Ucount	7.001
	Status In1 – Value	2 byte signed value	R	DPT_Value_2_Count	8.001
	Status In1 – Value	Temperature (°C)	R	DPT_Value_Temp	9.001
	Status In1 – Value	4 byte unsigned value	R	DPT_Value_4_Ucount	12.001
	Status In1 – Dimming Step	Dimming step	R	DPT_Control_Dimm.	3.007
	Status In1 - Blind Move	0 –Up 1 – Down	R	DPT_UpDown	1.008
<b>89</b>	Status In2 - Switching	0 – Off 1 –On	R	DPT_Switch	1.001
	Status In2 – Dimming On/Off	0 – Off 1 – On	R	DPT_Switch	1.001
	Status In2 –Blind Step	0 – Up 1 – Down	R	DPT_UpDown	1.008
<b>90</b>	Status In2 – Value	1 byte unsigned value	R	DPT_Value_1_Ucount	5.010
	Status In2 – Value	2 byte unsigned value	R	DPT_Value_2_Ucount	7.001
	Status In2 – Value	2 byte signed value	R	DPT_Value_2_Count	8.001
	Status In2 – Value	Temperature (°C)	R	DPT_Value_Temp	9.001
	Status In2 – Value	4 byte unsigned value	R	DPT_Value_4_Ucount	12.001
	Status In2 – Dimming Step	Dimming step	R	DPT_Control_Dimm.	3.007
	Status In2 - Blind Move	0 – Up 1 – Down	R	DPT_UpDown	1.008
<b>91</b>	Status In3 - Switching	0 – Off 1 – On	R	DPT_Switch	1.001
	Status In3 – Dimming On/Off	0 – Off 1 – On	R	DPT_Switch	1.001
	Status In3 –Blind Step	0 – Up 1 – Down	R	DPT_UpDown	1.008
<b>92</b>	Status In3 – Value	1 byte unsigned value	R	DPT_Value_1_Ucount	5.010
	Status In3 – Value	2 byte unsigned value	R	DPT_Value_2_Ucount	7.001
	Status In3 – Value	2 byte signed value	R	DPT_Value_2_Count	8.001
	Status In3 – Value	Temperature (°C)	R	DPT_Value_Temp	9.001
	Status In3 – Value	4 byte unsigned value	R	DPT_Value_4_Ucount	12.001
	Status In3 – Dimming Step	Dimming step	R	DPT_Control_Dimm.	3.007
	Status In3 - Blind Move	0 – Up 1 – Down	R	DPT_UpDown	1.008

**A**IRZONE



CE

