

Touch sensor module, single

Order No.: 7504 10 04

Touch sensor module, double

Order No.: 7504 20 04

Operation and installation instructions**1 Safety instructions**

Electrical equipment must only be installed and assembled by qualified electricians.

Failure to comply with these instructions may result in damage to the device, fire or other hazards.

These instructions are an integral component of the product, and must be retained by the end user.

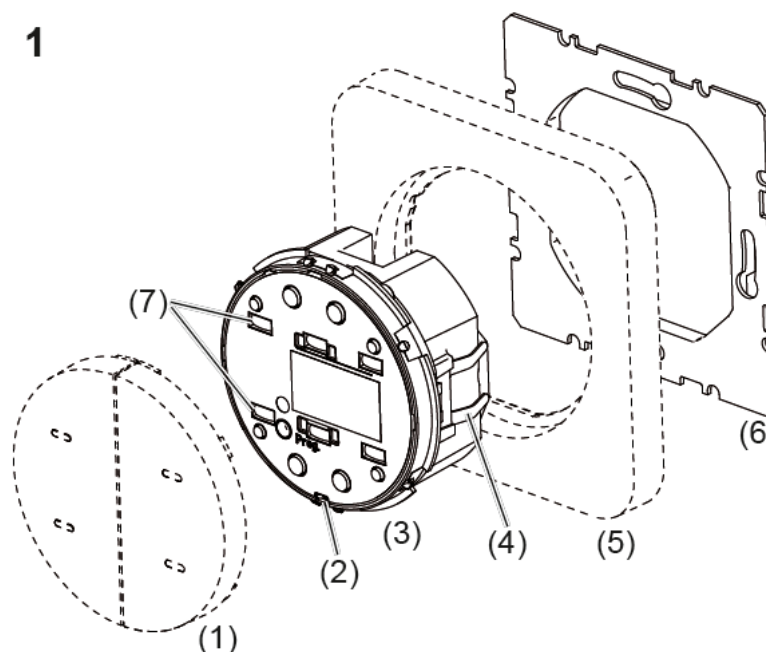
2 Structure of the device (Figure 1/2)

Figure 1

- (1) Touch cover (not in scope of delivery)
- (2) Operation LED
- (3) Touch sensor module
- (4) Fastening clamps
- (5) Frame (not in scope of delivery)
- (6) Supporting ring
- (7) Status LED

2

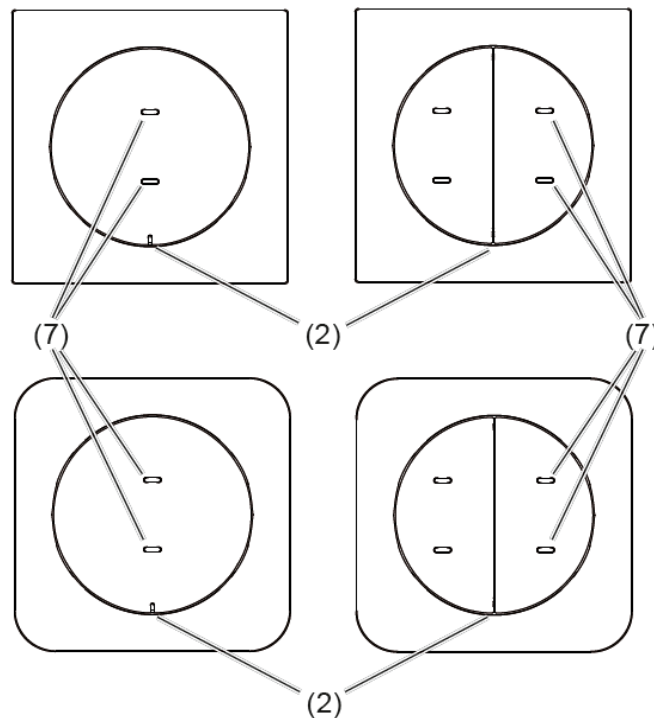


Figure 2

3 Function

System information

This device is a product of KNX system and corresponds to the KNX guidelines. Detailed specialised knowledge obtained from KNX training courses is required for comprehension.

The function of this device depends upon the software. Detailed information on loadable software and attainable functionality as well as the software itself can be obtained from the manufacturer's product database.

The planning, installation and commissioning of the device is carried out with the help of KNX-certified software.

You can find the latest version of the product database, technical descriptions as well as conversion and additional support programs on our website.

Correct use

- Operation of consumers, e.g. light on/off, dimming, blinds up/down, brightness values, temperatures, saving and opening light scenes, etc.
- Installation into wall box according to DIN 49073

Product characteristics

- Push-button functions: switching/dimming, blind control, value transmitter, scene call-up, forced control
- Two-channel mode for up to two functions per button
- One touch area per status LED
- Function, colour, brightness and illumination length of the status LEDs configurable for the module
- White operating LEDs configurable as orientation light and controllable via own object
- Integrated bus coupling unit

4 Operation

The operation of functions or electrical consumers can be set individually for each device.

Two operating modes are typical:

- **Single-surface operation:**
Switching lighting on/off and dimming brighter/darker is carried out alternately by repeated touching of the touch surface.
- **Two-surface operation:**
Two superimposed touch surfaces form a function pair. For example, touching the top surface switches/dims lighting on/makes it brighter, touching the bottom surface switches it off/makes it darker.

Operating a function or consumer

Consumers, such as lighting, blinds, etc., are operated using the touch surfaces, which are dependent on the device programming.

- Actuate a touch area.
The stored function is executed.
- i** The actuation pulse lasts for the duration of the actuation. Depending on the function, short and long touches can trigger different actions, e.g. switching/dimming.

5 Information for electricians

5.1 Installation and electrical connection



DANGER!

Touching live parts in the installation environment can result in an electric shock.

An electric shock can be lethal.

Disconnect before working on the device and cover all live parts in the area!

Connecting and mounting the device

- Mount the supporting ring (6) to a wall box in the correct position.
- Run the bus cable with the connecting terminal through the frame and connect it to the touch sensor module (3).
- Attach the touch sensor module (3) with the frame (5) to the supporting ring until the fastening brackets (4) engage.
- Snap the touch cover (1) onto the touch sensor module (3).

5.2 Start up

Loading the physical address and application software

Project planning and start-up with ETS3.0d with Path A or newer.

The device is connected and ready for operation.

- If available, release the touch cover using the programming button.

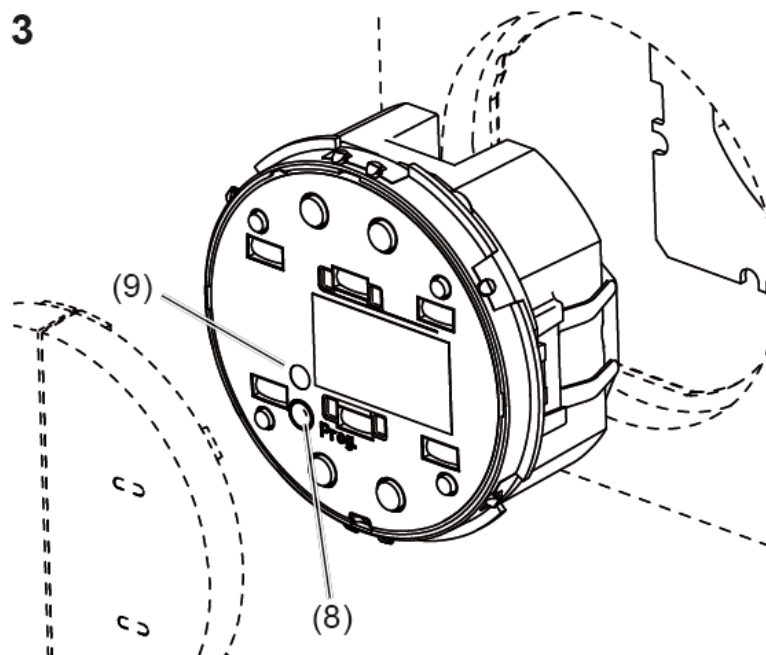


Figure 3

- Press the programming button (Fig. 3, 8) to activate programming mode. The programming LED (Fig. 3, 9) lights up.
- Load the physical address into the device.
- Label the device with the physical address.
- Load the application software into the device.
- Reattach the touch cover.

6 Appendix

6.1 Technical data

KNX Medium	TP 1
Start-up mode	S-Mode
Rated voltage KNX	DC 21 ... 32 V SELV
Current consumption KNX	typ. 10 mA
Connection mode KNX	Connecting terminal
Protection type	IP30
Protection class	III
Ambient temperature	+5 ... +45 °C
Storage/transport temperature	-20 ... +70 °C

6.2 Warranty

We reserve the right to make technical and formal changes to the product in the interest of technical progress.

Our products are under guarantee within the scope of the statutory provisions.

If you have a warranty claim, please contact the point of sale or ship the device postage free with a description of the fault to the appropriate regional representative.

Berker GmbH & Co. KG

Klagebach 38

58579 Schalksmühle/Germany

Phone: + 49 (0) 23 55/90 5-0

Fax: + 49 (0) 23 55/90 5-111

www.berker.com