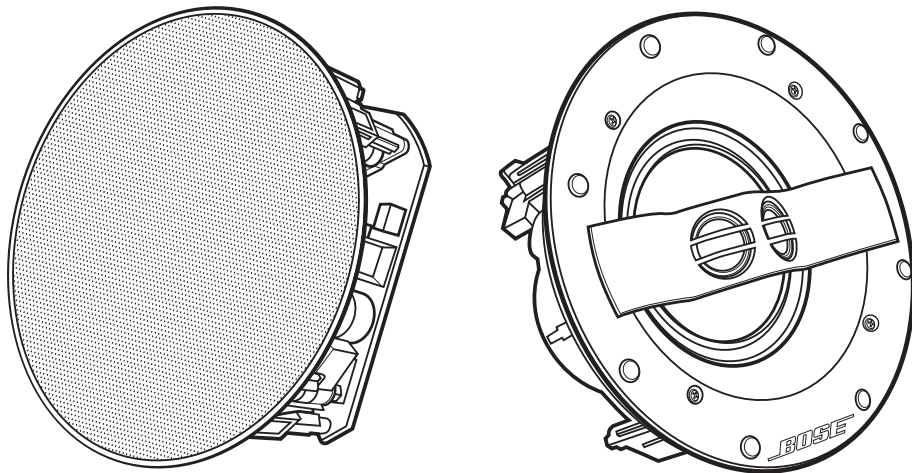




Bose® *Virtually Invisible*® 791 series II and 591 in-ceiling speakers



Owner's Guide • Brugervejledning • Bedienungsanleitung • Gebruikershandleiding
Guía del usuario • Käyttöohje • Notice d'utilisation • Manuale di istruzioni • Kezelési útmutató
Brukerveiledning • Podręcznik użytkownika • Manual do proprietário • Bruksanvisning
ຄູ່ມືຜູ້ໃຊ້ • 사용자 안내서 • 用户指南 • 使用者指南 • オーナーズガイド • دليل المالك

Important Safety Instructions

Please read this owner's guide carefully and save it for future reference.



WARNINGS:

- Do not place naked flame sources, such as lighted candles, on or near the product.
- All Bose® products must be used in accordance with local, state, federal and industry regulations. It is the installer's responsibility to ensure installation of the loudspeakers and mounting system is performed in accordance with applicable building codes, including local building codes and regulations.
- Unsafe mounting or overhead suspension of any heavy load can result in serious injury and equipment damage. It is the responsibility of the installer to evaluate the reliability of any mounting method used for application.



CAUTIONS:

- These speakers are not designed or recommended for installation in walls, in ceilings of masonry, or in drop ceilings.
- This product is not intended for use in Air-Handling Plenum Spaces.
- See product enclosures for safety-related markings.
- Make no modifications to the speakers or accessories. Unauthorized alterations may compromise safety, regulatory compliance, and system performance.
- Be sure to keep all insulation away from speakers in accordance with the installation instructions in this guide.



WARNING: Contains small parts which may be a choking hazard. Not suitable for children under age 3.



WARNING: This product contains magnetic material. Contact your physician if you have questions on whether this might affect the operation of your implantable medical device.

NOTE: This product must be used indoors. It is neither designed nor tested for use outdoors, in recreational vehicles, or on boats.

Important safety instructions

1. Read these instructions.
2. Keep these instructions.
3. Heed all warnings.
4. Follow all instructions.
5. Do not use this apparatus near water.
6. Install in accordance with the manufacturer's instructions.
7. Do not install near any heat sources, such as radiators, heat registers, stoves, or other apparatus (including amplifiers) that produce heat.
8. Only use attachments/accessories specified by the manufacturer.

Names and Contents of Toxic or Hazardous Substances or Elements						
Part Name	Toxic or Hazardous Substances and Elements					
	Lead (Pb)	Mercury (Hg)	Cadmium (Cd)	Hexavalent (CR(VI))	Polybrominated Biphenyl (PBB)	Polybrominated diphenylether (PBDE)
PCBs	X	O	O	O	O	O
Metal parts	X	O	O	O	O	O
Plastic parts	O	O	O	O	O	O
Speakers	X	O	O	O	O	O
Cables	X	O	O	O	O	O

This table is prepared in accordance with the provisions of SJ/T 11364.
 O: Indicates that this toxic or hazardous substance contained in all of the homogeneous materials for this part is below the limit requirement of GB/T 26572.

X: Indicates that this toxic or hazardous substance contained in at least one of the homogeneous materials used for this part is above the limit requirement of GB/T 26572



This symbol means the product must not be discarded as household waste, and should be delivered to an appropriate collection facility for recycling. Proper disposal and recycling helps protect natural resources, human health and the environment. For more information on disposal and recycling of this product, contact your local municipality, disposal service, or the shop where you bought this product.



Bose Corporation hereby declares that this product is in compliance with the essential requirements and other relevant provisions of Directive 1999/5/EC and all other applicable EU directive requirements. The complete declaration of conformity can be found at: www.Bose.com/compliance

China Importer: Bose Electronics (Shanghai) Company Limited, Part C, Plan 9, No. 353 North Riyang Road, China (Shanghai) Pilot Free Trade Zone

EU Importer: Bose Products B.V., Gorslaan 60, 1441 RG Purmerend, The Netherlands

Taiwan Importer: Bose Taiwan Branch, Room 905, 9F, Worldwide House, 131 Min Sheng East Rd, Section 3, Taipei, Taiwan, 105

Please complete and retain for your records:

Model number: _____

Serial number: _____

Purchase date: _____

We suggest you keep your receipt with this owner's guide.

Date of manufacture:

The first bolded digit in the serial number indicates the year of manufacture; "5" is 2005 or 2015.

Introduction

About your <i>Virtually Invisible</i> ® 791 series II or 591 in-ceiling speakers	4
Unpacking	4
Recommended tools	4
Speaker wire requirements.....	4
Placement guidelines.....	4
Placement in unfinished construction.....	4

Installing the Speakers

Cutting the speaker hole.....	5
Connecting the speaker wire.....	5
Installing the speaker	6
Attaching the grille	6

Care and Maintenance

Troubleshooting	7
Accessories	7
Customer service.....	7
Limited warranty	7
Technical information.....	7

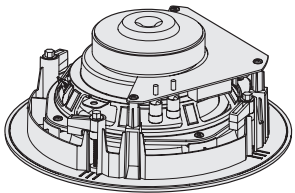
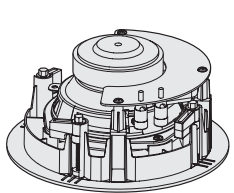
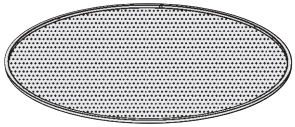
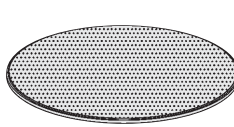

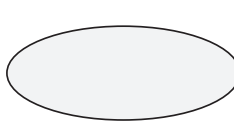
Introduction

About your *Virtually Invisible*® 791 series II or 591 in-ceiling speakers

The Bose® *Virtually Invisible*® 791 series II or 591 in-ceiling speakers provide superior performance for built-in stereo music listening and home theater enjoyment.

Unpacking

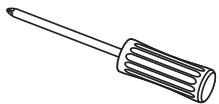
Carefully unpack the carton and confirm that the following parts are included:

<i>Virtually Invisible</i> ® 791 series II speakers	<i>Virtually Invisible</i> ® 591 speakers
	
Two speakers	Two speakers
	
Two speaker grilles	Two speaker grilles
	
Template	Template

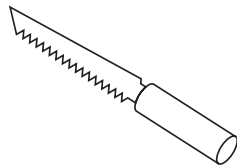
Note: If part of the system is damaged, do not use it. Contact your authorized Bose® dealer or Bose customer service. Refer to the contact sheet in the carton.

Recommended tools

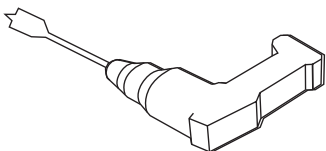
You may need the following tools to complete installation:



Phillips-head screwdriver



Cutting tool



Power drill



Safety goggles

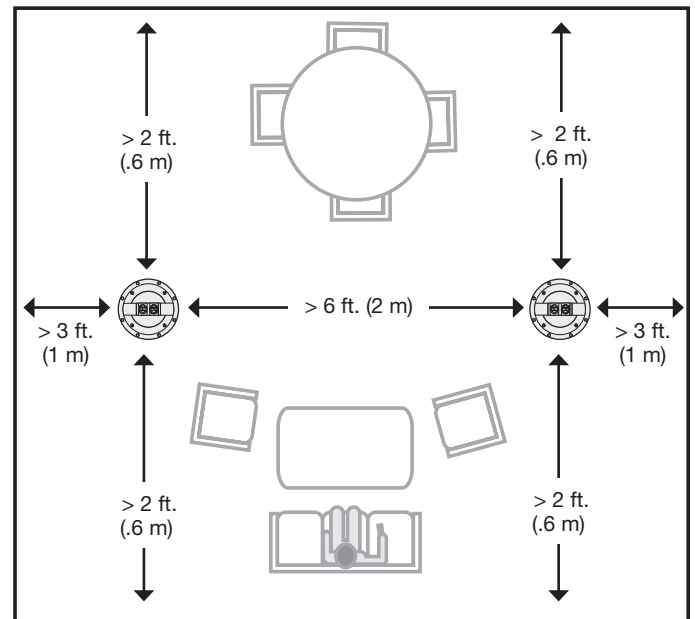
Speaker wire requirements

Gauge	Maximum Length
18 AWG (0.82 mm ²)	20 ft. (6 m)
16 AWG (1.3 mm ²)	30 ft. (9 m)
14 AWG (2.1 mm ²)	50 ft. (15 m)
12 AWG (3.3 mm ²)	90 ft. (27 m)

- Allow enough wire from the ceiling to wire the speakers before installing.
- Strip ½ in. (13 mm) of insulation at each end of both wires.
- Please check your local building codes and use only the correct type of wire required for in-ceiling installation.
- For information on installing speaker wire, consult a professional electrician or audio/video installer.

Placement guidelines

For optimal stereo performance, install the speakers in positions similar to the diagram below at a minimum of the suggested distances:



Notes:

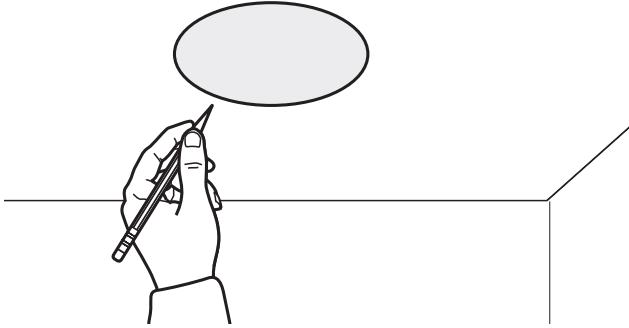
- Use a stud finder to ensure the speaker hole is at least 4¾ in. (12 cm) away from a joist.
- Mount these speakers in wood frame or similar construction only. Bose recommends installing these speakers only in wood frame or similar construction with adequately spaced studs, as found in 2 x 6 construction.

Placement in unfinished construction

If you are planning installation in unfinished construction, purchase the Bose rough in kit. See “Accessories” on page 7.

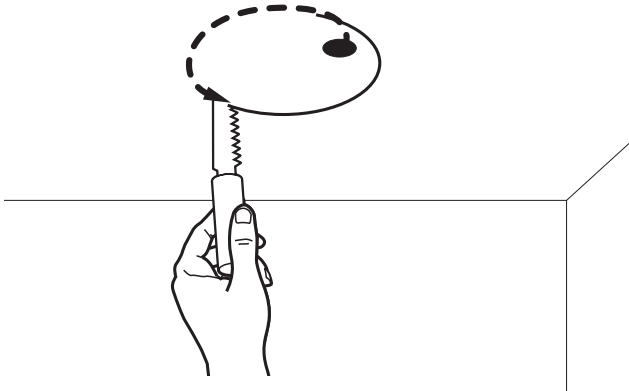
Cutting the speaker hole

1. Trace the template in the speaker location.



WARNING: Do not cut into surfaces that have hazards concealed behind them such as electrical wiring or plumbing. If you are unsure of your ability to mount this speaker, contact a professional installer.

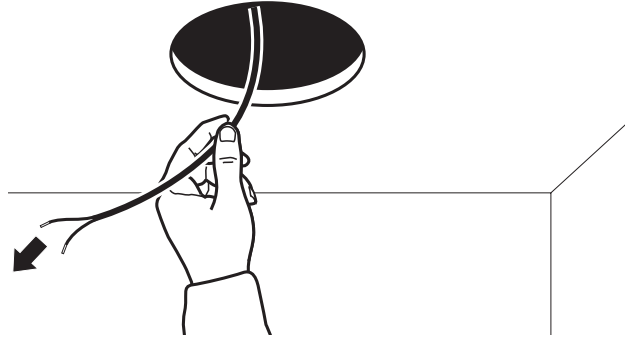
2. Drill a hole inside the template area large enough for your cutting tool.
3. Cut along the line you traced.



4. Remove the cutout section.
5. Clear away any torn or rough material from around the hole.

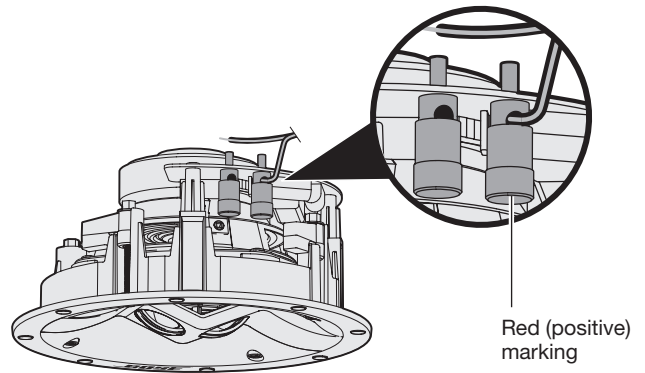
Connecting the speaker wire

1. Pull out at least 14 in. (36 cm) of the speaker wire.
Allow enough wire to connect the speaker from where you are standing.



2. Connect the positive wire to the red marked terminal on the speaker.

Note: The terminal marking is located on the top of the terminal.



Virtually Invisible® 591 speaker

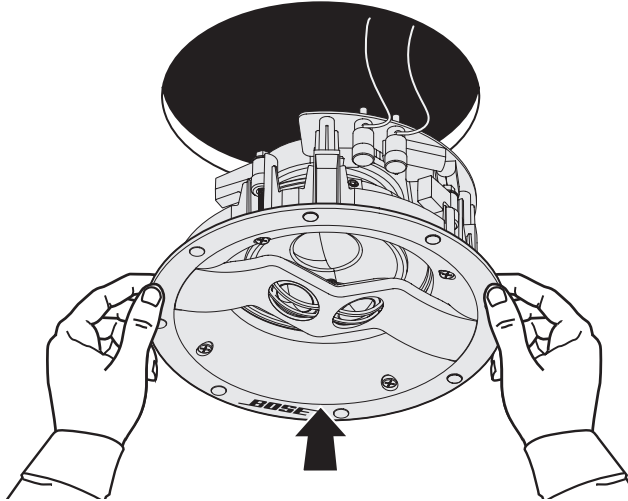
3. Connect the negative wire to the black marked terminal on the speaker.

Installing the Speakers

Installing the speaker

1. Holding the outside edges, insert the speaker into the hole.

Note: Do not press on the two small drivers on the face of the speaker. This may damage the speaker.

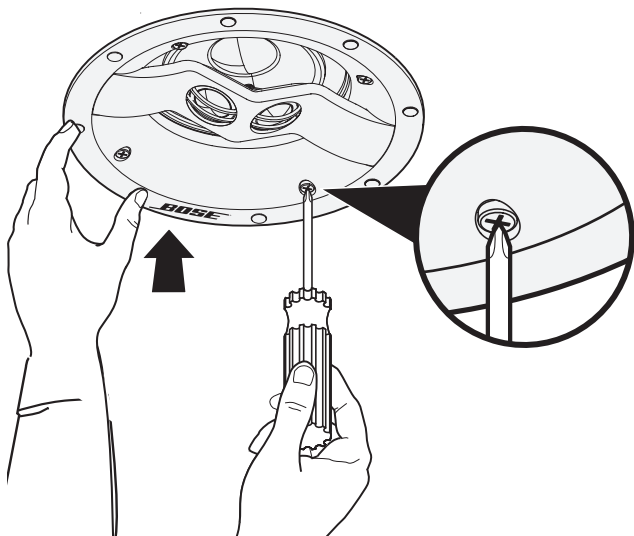


Virtually Invisible® 591 speaker

CAUTION: Certain forms of insulation (such as horse hair plaster, newspaper, cellulose, or blown-in materials) may pose a risk of ignition. Be sure to keep all insulation away from the speakers.

2. Tighten all the clamp screws with a Phillips head screwdriver.

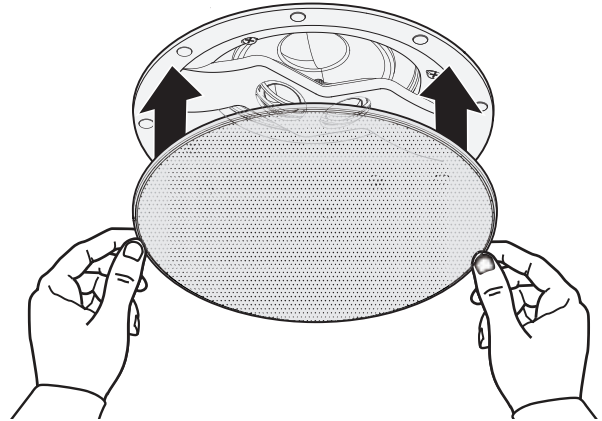
Note: If using a power drill, choose the lowest torque setting.



Virtually Invisible® 591 speaker

Attaching the grille

The grille magnetically attaches to the rim of the speaker. Place the grille on speaker.



Virtually Invisible® 591 speaker

Painting the grille

You can paint the speaker grilles before you attach them to the speaker. Bose® is not responsible for the quality of adhesion or finish of non-factory-applied paints.

- Latex or oil-based architectural paint requires thinning for use with a siphon-feed spray gun. Refer to the owner's guide provided with your spray gun for guidelines.
- Be careful when using a sharp implement in the grille perforations to remove a paint clog, which can damage the grille.

Troubleshooting

Problem	What to do
No sound from speakers	<ul style="list-style-type: none"> • Ensure the speaker wires did not disconnect from the speakers or the receiver/amplifier. • Check the settings on your receiver/amplifier. Refer to the receiver/amplifier owner's guide for instructions on settings. • If other stereo speakers are connected to a second set of audio outputs on your receiver/amplifier, select the proper A or B speaker setting to match the A or B outputs connected to your speakers.
Sound from one speaker only	<ul style="list-style-type: none"> • Center the balance control on your receiver/amplifier. • Ensure no wires from the positive and negative terminals on the receiver/amplifier are touching. • Disconnect the speaker wire from the receiver/amplifier channel and reconnect it to a different channel. • Check that no wires from the positive and negative terminals are touching where the speaker wire connects to the speaker. • Disconnect the speaker wire from the speaker and reconnect it to another speaker. If this speaker works, your speaker needs to be serviced. Refer to the contact sheet in the carton. • Replace and re-install the speaker wire if these troubleshooting steps do not solve the problem.
Bass/treble is weak	<ul style="list-style-type: none"> • Adjust the tonal balance setting on your receiver/amplifier. • Ensure there are no gaps between the speaker frame and the wall surface. • Switch the wires connected to the positive and negative terminals on the receiver/amplifier. • Disconnect the speaker wire from the receiver/amplifier channel and reconnect it to a different channel.
Static/noise from speaker	<ul style="list-style-type: none"> • Ensure the wires are in good condition, are firmly connected to the speaker and receiver/amplifier and are not touching across terminals. • Connect the music source to the receiver/amplifier properly. • See "Sound from one speaker only".

Accessories

For unfinished construction, use the Bose® rough-in kit.

The kit contains parts for two speakers and is designed for installation after the joists are in place and before wallboard is added. When installed, the kit reserves a place for each speaker and indicates where to make the speaker hole in the wallboard.

For more information or to order accessories, contact Bose customer service. Refer to the contact sheet in the carton.

Customer service

For additional help using the system:

- Visit owners.Bose.com
- Contact Bose Customer Service. Refer to the contact sheet in the carton.

Limited warranty

Your system is covered by a limited warranty. Details of the limited warranty are provided on the product registration card that is in the carton. Please refer to the card for instructions on how to register. Failure to register will not affect your limited warranty rights.

The warranty information provided with this product does not apply in Australia and New Zealand. See our website at www.Bose.com.au/warranty or www.Bose.co.nz/warranty for details of the Australia and New Zealand warranty.

Technical information

Compatibility

Compatible with amplifiers or receivers rated

10-100W per channel/rated 4 to 8 ohms

Virtually Invisible® 791 series II: 50W IEC continuous power handling; rated 6 ohms

Virtually Invisible® 591: 50W IEC continuous power handling; rated 8 ohms

***Virtually Invisible*® 791 series II driver complement:**

Two 1" (25.4 mm) dome tweeters configured in an array

One 7" (178 mm) high-excursion woofer

***Virtually Invisible*® 591 driver complement:**

Two ¾" (19 mm) dome tweeters configured in an array

One 5" (127 mm) high-excursion woofer

***Virtually Invisible*® 791 series II dimensions:**

Diameter: 8.4" (214 mm)

Depth into ceiling: 4.14" (105.2 mm)

Grille diameter: 10" (254 mm)

Ceiling hole diameter : 8⅝" (219 mm)

***Virtually Invisible*® 591 dimensions:**

Diameter: 6.5" (166 mm)

Depth into ceiling: 3.8" (96.7 mm)

Grille diameter: 8.11" (206 mm)

Ceiling hole diameter required: 6.7" (170 mm) diameter

Weight

Virtually Invisible® 791 series II: 4.8 lb. (2.18 kg) each

Virtually Invisible® 591: 3.19 lb. (1.45 kg) each

Vigtige sikkerhedsinstruktioner

Læs venligst denne brugervejledning omhyggeligt, og gem den, så du har adgang til den senere.



ADVARSLER:

- Placer ikke nogen form for åben ild (f.eks. stearinlys) på eller tæt ved apparatet.
- Alle Bose-produkter skal anvendes i overensstemmelse med lokale regler, statslige regler og brancheregler. Det er installatørens ansvar at sikre, at installationen af højttaleren og monteringsystemet foretages i overensstemmelse med alle relevante regler, herunder regler og forskrifter for den lokale bygning.
- Usikker montering af tunge genstande kan medføre alvorlige personskader og tingsskader. Det er installatørens ansvar at evaluere pålideligheden af enhver monteringsmetode, som bruges til en applikation.



FORSIGTIG:

- Disse højttalere er ikke designet til og anbefales ikke til installation i vægge, i lofter af sten eller i forsænkede lofter.
- Dette produkt er ikke beregnet til at anvende i fordelingsrum, der håndterer luft.
- Du kan finde sikkerhedsrelevante mærkater på produktets kabinetter.
- Undgå at foretage ændringer af højttalerne eller tilbehøret. Uautoriserede ændringer kan sætte sikkerheden, overholdelse af lovbestemmelser samt systemets ydeevne over styr.
- Sørg for at holde alt isoleringsmateriale væk fra højttalerne i overensstemmelse med installationsinstruktionerne i denne vejledning.



ADVARSEL: Indeholder små dele, som kan udgøre en kvælningssfare. Egner sig ikke til børn under 3 år.



ADVARSEL: Dette produkt indeholder magnetisk materiale. Kontakt din læge, hvis du er i tvivl om, hvorvidt dette kan påvirke din implanterbare medicinske enheds funktion.

BEMÆRK: Dette produkt skal anvendes inden døre. Det er hverken designet eller testet til udendørs brug i fritidskøretøjer eller i lystbåde.

Vigtige sikkerhedsinstruktioner

1. Læs disse instruktioner.
2. Gem disse instruktioner.
3. Ret dig efter alle advarsler.
4. Følg alle instruktioner.
5. Anvend ikke dette apparat i nærheden af vand.
6. Installer i overensstemmelse med producentens instruktioner.
7. Installer ikke produktet i nærheden af varmekilder som f.eks. radiatorer, varmeovne, komfurer eller andre apparater (herunder forstærkere), der producerer varme.
8. Brug kun tilslutningsudstyr/tilbehør, der er angivet af producenten.

Navne på og indhold af giftige eller farlige stoffer eller elementer						
Giftige eller farlige stoffer og elementer						
Delens navn	Bly (Pb)	Kviksølv (Hg)	Cadmium (Cd)	Hexavalent (CR(VI))	Polybromeret biphenyl (PBB)	Polybromeret diphenylether (PBDE)
PCB'er	X	O	O	O	O	O
Metaldele	X	O	O	O	O	O
Plastikdele	O	O	O	O	O	O
Højttalere	X	O	O	O	O	O
Kabler	X	O	O	O	O	O

Denne tabel er oprettet i henhold til bestemmelserne i SJ/T 11364.
O: Angiver, at dette giftige eller skadelige stof, som findes i alle de homogene materialer for denne del, er under grænsekrauet i GB/T 26572.
X: Angiver, at dette giftige eller skadelige stof, som findes i mindst ét af de homogene materialer, der anvendes til denne del, er over grænsekrauet i GB/T 26572



Dette symbol betyder, at produktet ikke må smides ud som husholdningsaffald og bør indleveres til en passende indsamlingsordning med henblik på genanvendelse. Korrekt bortskaffelse og genanvendelse bidrager til at beskyttelse naturressourcer, menneskets sundhed og miljøet. Hvis du ønsker flere oplysninger om bortskaffelse og genanvendelse af dette produkt, kan du kontakte din kommune, dit renovationselskab eller den butik, hvor du har købt dette produkt.



Bose Corporation erklærer hermed, at dette produkt stemmer overens med de væsentlige krav og andre relevante bestemmelser i direktiv 1999/5/EF og alle andre relevante krav i EU-direktiver. Den fulde overensstemmelseserklæring kan findes på www.Bose.com/compliance

Importør i Kina: Bose Electronics (Shanghai) Company Limited, Part C, Plan 9, No. 353 North Riyang Road, China (Shanghai) Pilot Free Trade Zone

Importør i EU: Bose Products B.V., Gorslaan 60, 1441 RG Purmerend, Holland

Importør i Taiwan: Bose Taiwan Branch, Room 905, 9F, Worldwide House, 131 Min Sheng East Rd, Section 3, Taipei, Taiwan, 105

Bedes udfyldt og opbevaret, så du har det til rådighed:

Modelnummer: _____

Serienummer: _____

Købsdato: _____

Vi anbefaler, at du opbevarer kvitteringen sammen med denne brugervejledning.

Fremstillingsdato:

Det første understregede ciffer i serienummeret er fremstillingsåret: "5" er 2005 eller 2015.

VIRTUALLY INVISIBLE er et registreret varemærke, der tilhører Bose Corporation i USA og andre lande.

© 2017 Bose Corporation. Gengivelse, ændring, distribution eller anden brug af dette dokument eller dele heraf er forbudt uden forudgående skriftlig tilladelse.

Indledning

Om dine <i>Virtually Invisible</i> ® 791 series II eller 591 loftsindbyggede højttalere	4
Udpakning.....	4
Anbefalede værktøjer	4
Krav til højttalerkabel	4
Retningslinjer for placering	4
Placering i en ufærdig konstruktion	4

Installation af højttalerne

Skæring af højttalerhullet	5
Tilslutning af højttalerkablet	5
Installation af højttaleren.....	6
Montering af fronten	6

Pleje og vedligeholdelse

Fejlfinding	7
Tilbehør	7
Kundeservice.....	7
Begrænset garanti	7
Tekniske oplysninger.....	7

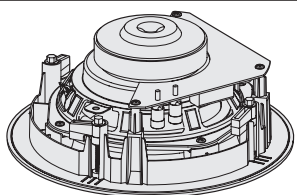
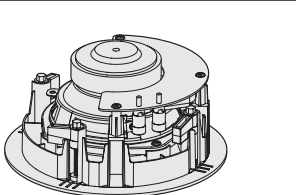
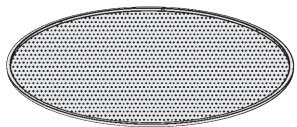
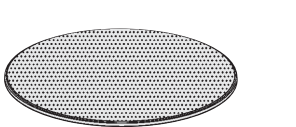

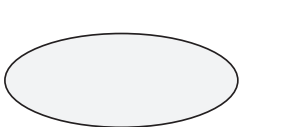
Indledning

Om dine *Virtually Invisible*® 791 series II eller 591 loftsindbyggede højttalere

Bose® *Virtually Invisible*® 791 series II eller 591 loftsindbyggede højttalere leverer en suveræn præstation til et indbygget hjemmebiografmiljø, hvor der også kan lyttes til musik i stereo.

Udpakning

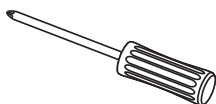
Pak omhyggeligt kassen ud, og kontrollér, at følgende dele er med:

<i>Virtually Invisible</i> ® 791 series II højttalere	<i>Virtually Invisible</i> ® 591 højttalere
	
To højttalere	To højttalere
	
To højttalerfronter	To højttalerfronter
	
Skabelon	Skabelon

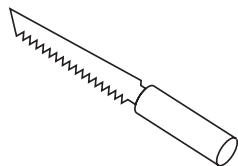
Bemærk: Hvis en del af systemet er beskadiget, må du ikke anvende det. Kontakt din autoriserede Bose®-forhandler eller Boses kundeservice. Se adresselisten i kassen.

Anbefalede værktøjer

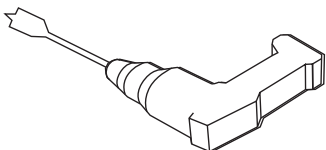
Du får muligvis brug for følgende værktøjer til at afslutte installationen:



Stjerneskruetrækker



Værktøj til skæring



Elektrisk boremaskine



Sikkerhedsbriller

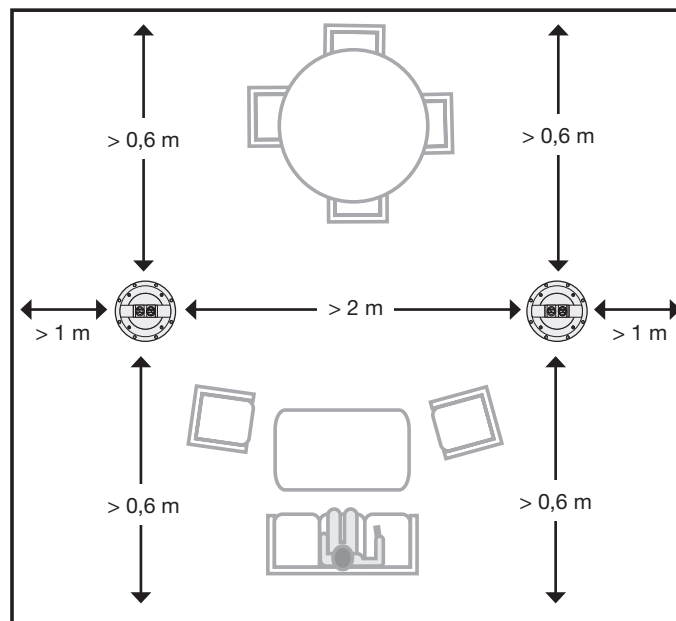
Krav til højttalerkabel

Tykkelse	Maksimumlængde
0,82 mm ²	6 m
1,3 mm ²	9 m
2,1 mm ²	15 m
3,3 mm ²	27 m

- Sørg for, at der er nok ledning fra loftet til at forbinde højttalerne, før du starter installationen.
- Skær 13 mm isolering af i enden på begge ledninger.
- Kontroller de lokale bygningsregler for at få oplysninger om den korrekte type kabel, der kræves ved installation i loftet.
- Kontakt en professionel elektriker eller lyd-/videoinstallatør for at få oplysninger om installation af højttalerkabler.

Retningslinjer for placering

For at få en optimal ydelse i stereo skal højttalerne placeres på steder, der svarer til nedenstående diagram, og med de foreslåede afstande som minimum:



Bemærkninger:

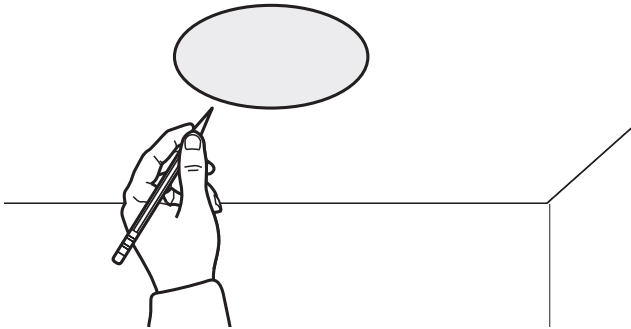
- Brug en stolpefinder for at sikre, at højttalerhullet er mindst 12 cm væk fra en bjælke.
- Monter kun disse højttalere i trælofter eller lignende konstruktioner. Bose anbefaler, at disse højttalere kun installeres i trælofter eller en lignende konstruktion med tilstrækkelig afstand mellem bjælkerne, sådan som de findes i en 2 x 6-konstruktion.

Placering i en ufærdig konstruktion

Hvis du planlægger en installation i en ufærdig konstruktion, skal du købe Boses Rough in kit. Se "Tilbehør" på side 7.

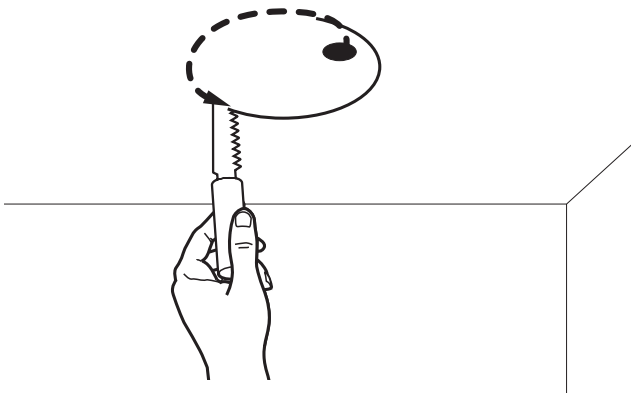
Skæring af højttalerhullet

1. Tegn efter skabelonen ved højttalerens placering.



ADVARSEL: Du må ikke skære i overflader, som har farer skjult bag dem, såsom elektriske ledninger eller VVS-installationer. Hvis du tvivler på, at du er i stand til at udføre denne installation, kan du kontakte en professionel montør.

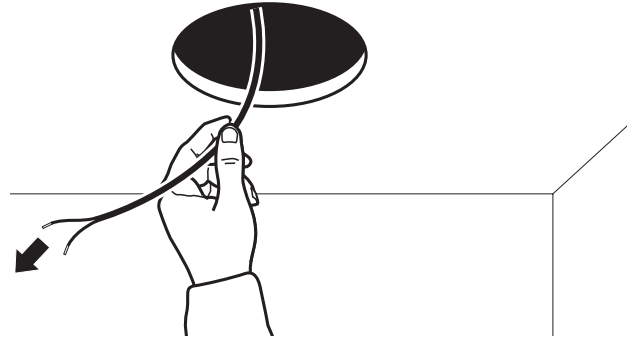
2. Bor et hul inde i skabelonområde, der er stort nok til din skæreværktøj.
3. Skær langs den linje, du har tegnet.



4. Fjern den udskårrede del.
5. Fjern alt flosset eller groft materiale omkring hullet.

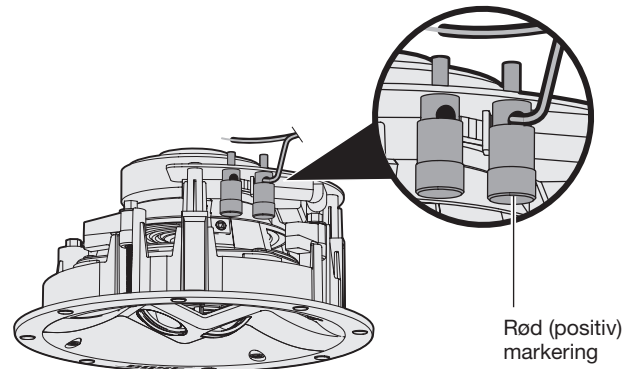
Tilslutning af højttalerkablet

1. Træk mindst 36 cm af højttalerkablet ud.
Sørg for, at der er nok ledning til at forbinde højttaleren derfra, hvor du står.



2. Forbind den positive ledning til den røde markerede terminal på højttaleren.

Bemærk: Terminalens markering findes øverst på terminalen.



Virtually Invisible® 591 højttaler

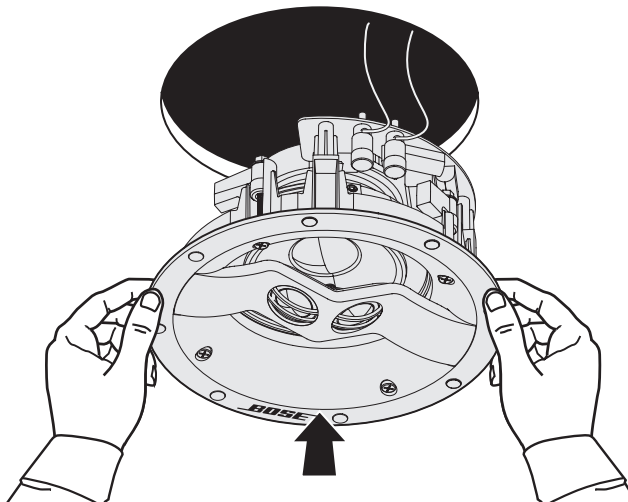
3. Forbind den negative ledning til den sort markerede terminal på højttaleren.

Installation af højttalerne

Installation af højttaleren

1. Hold på de udvendige kanter, og sæt højttaleren ind i hullet.

Bemærk: Sørg for ikke at trykke på de små drivere, der sidder på højttalerens forside. Dette kan beskadige højttaleren.

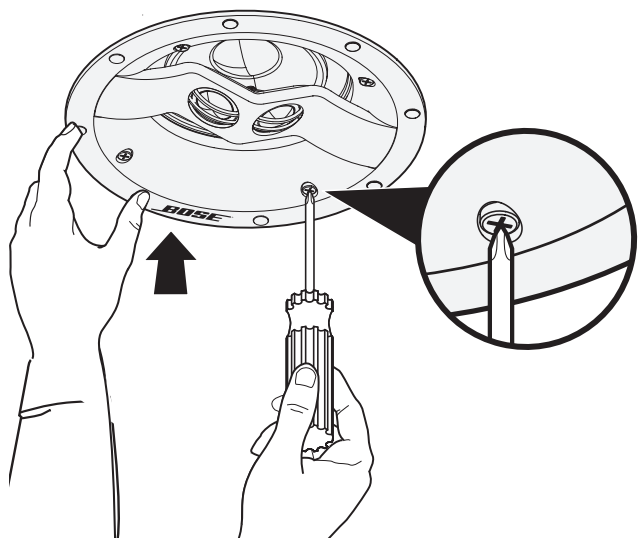


Virtually Invisible® 591 højttaler

FORSIGTIG: Visse typer isoleringsmateriale (f.eks. visse typer gips, aviser, cellulose eller indblæste materialer) kan udgøre en risiko for antændelse. Sørg for at holde al isolering væk fra højttalerne.

2. Spænd alle klemmeskruer med en stjerneskruetrækker.

Bemærk: Hvis du bruger en boremaskine, skal du vælge indstillingen med det laveste moment.

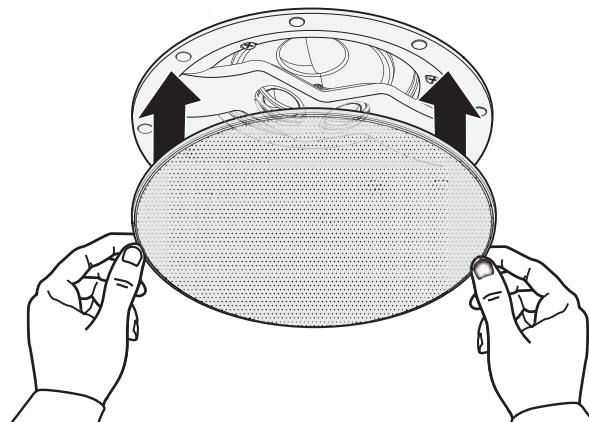


Virtually Invisible® 591 højttaler

Montering af fronten

Fronten fastsættes magnetisk til kanten på højttaleren.

Placer fronten på højttaleren.



Virtually Invisible® 591 højttaler

Maling af fronten

Du kan male højttalerfronten, før du fastgør dem til højttaleren. Bose® er ikke ansvarlig for kvaliteten af vedhæftning eller finish ved brug af maling, der ikke er påført af fabrikken.

- Plast- eller oliebaseeret vægmaling skal fortyndes for at kunne bruges med en sprøjtepistol. Se den brugervejledning, der følger med din sprøjtepistol.
- Vær forsigtig, hvis du bruger et skarpt redskab i frontens perforeringer til at fjerne en klump maling, da dette kan beskadige fronten.

Fejlfinding

Problem	Gør følgende
Ingen lyd fra højttalerne	<ul style="list-style-type: none"> Kontroller, at højttalerledningerne ikke er blevet koblet fra højttalerne eller modtageren/forstærkeren. Kontroller modtagerens eller forstærkerens indstillinger. Se brugervejledningen til modtager/forstærker for at få instruktioner til indstillinger. Hvis der er tilsluttet andre stereohøjttalere til et andet sæt lydudgange på forstærkeren/modtageren, skal du sørge for at vælge den korrekte A- eller B-højttalerindstilling svarende til de A- eller B-udgange, der er tilsluttet dine højttalere.
Kun lyd fra den ene højttaler	<ul style="list-style-type: none"> Placer modtagerens eller forstærkerens balanceknop i midterste position. Sørg for, at ingen ledninger fra de positive og negative terminaler på modtageren/forstærkeren rører ved noget. Kobl højttalerkablet fra modtageren eller forstærkeren, og slut det til en anden kanal. Sørg for, at ingen ledninger fra de positive og negative terminaler på modtageren/forstærkeren rører ved noget, når højttalerkablet tilsluttes højttaleren. Frakobl højttalerkablet fra højttaleren, og slut det til en anden højttaler. Hvis denne højttaler fungerer, har din højttaler brug for service. Se adresselisten i kassen. Udskift og installer højttalerkablet igen, hvis disse trin til fejlfinding ikke løste problemet.
Bas/diskant er svag	<ul style="list-style-type: none"> Tilpas modtagerens/forstærkerens tonebalanceindstilling. Sørg for, at der ikke er mellemrum mellem højttalerens ramme og væggen. Skift kablerne, der er forbundet til de positive og negative terminaler på modtageren/forstærkeren. Kobl højttalerkablet fra modtageren eller forstærkeren, og slut det til en anden kanal.
Statisk/støj fra højttaleren	<ul style="list-style-type: none"> Sørg for, at kablerne er i god stand, er fast forbundet til højttaleren og modtageren/forstærkeren og ikke rører hinanden mellem terminalerne. Tilslut musikilden til modtageren/forstærkeren korrekt. Se "Kun lyd fra den ene højttaler".

Tilbehør

Til ufærdige konstruktioner skal du bruge Bose® Rough-in Kit.

Dette kit indeholder dele til to højttalere og er designet til at installeres, efter at loftsbjælkerne på plads, og inden loftspladerne monteres. Når kittet er installeret, sørger det for plads til hver af højttalerne og angiver, hvor i loftspladerne højttalerhullet skal laves.

Kontakt Boses kundeservice for at få oplysninger om bestilling af tilbehør. Se adresselisten i kassen.

Kundeservice

Yderligere hjælp til at bruge systemet:

- Besøg owners.Bose.com
- Kontakt Bose Kundeservice. Se adresselisten i kassen.

Begrænset garanti

Dit system er omfattet af en begrænset garanti. Detaljerede oplysninger om den begrænsede garanti findes på produktregistreringskortet, som ligger i kassen. Oplysninger om, hvordan du registrerer, finder du på kortet. Hvis du undlader at registrere produktet, har det ingen betydning for den begrænsede garanti.

Garantioplysningerne til dette produkt gælder ikke for Australien og New Zealand. Se vores websted på www.Bose.com.au/warranty eller www.Bose.co.nz/warranty for at få flere oplysninger om garantien i Australien og New Zealand.

Tekniske oplysninger

Kompatibilitet

Kompatible med forstærkere eller modtagere klassificeret til 10-100W pr. kanal/klassificeret til 4 til 8 ohms

Virtually Invisible® 791 series II: 50W IEC kontinuerlig strømkapacitet; klassificeret til 6 ohm

Virtually Invisible® 591: 50W IEC kontinuerlig strømkapacitet; klassificeret til 8 ohm

***Virtually Invisible*® 791 series II driver supplement:**

To 25,4 mm dome-diskanthøjttalere konfigureret i et array
En 178 mm bashøjttaler med stor vandring

***Virtually Invisible*® 591 driver supplement:**

To 19 mm dome-diskanthøjttalere konfigureret i et array
En 127 mm bashøjttaler med stor vandring

***Virtually Invisible*® 791 series II dimensioner:**

Diameter: 214 mm

Loftsdybde: 105,2 mm

Frontdiameter: 254 mm

Loftshuldiameter : 219 mm

***Virtually Invisible*® 591 dimensioner:**

Diameter: 166 mm

Loftsdybde: 96,7 mm

Frontdiameter: 206 mm

Diameter i loftshul, der kræves: 170 mm diameter

Vægt

Virtually Invisible® 791 series II: 2,18 kg for hver

Virtually Invisible® 591: 1,45 kg for hver

Wichtige Sicherheitshinweise

Bitte lesen Sie diese Bedienungsanleitung sorgfältig durch und bewahren Sie sie zum späteren Nachschlagen auf.



WARNUNG:

- Stellen Sie keine brennenden Kerzen oder ähnliches auf das Gerät oder in die Nähe des Geräts.
- Alle Bose-Produkte müssen gemäß den örtlichen und staatlichen Vorschriften sowie gemäß allen Branchenbestimmungen verwendet werden. Der Monteur ist dafür verantwortlich, sicherzustellen, dass die Installation der Lautsprecher und der Halterung gemäß allen geltenden Vorschriften durchgeführt wird, einschließlich örtlicher Bauvorschriften und Bestimmungen.
- Unsichere Befestigung oder ein Aufhängen über Kopf schwerer Lasten kann zu schweren Verletzungen und Sachschäden führen. Der Monteur ist dafür verantwortlich, die Zuverlässigkeit der für die Anwendung verwendeten Befestigungsmethoden zu prüfen.



ACHTUNG:

- Diese Lautsprecher sind nicht für die Installation in Mauerwerk, in gemauerten Decken oder in abgehängten Decken gedacht oder empfohlen.
- Dieses Produkt ist nicht für die Verwendung in Luftkammern gedacht.
- Beachten Sie die Sicherheitshinweise auf dem Gehäuse.
- Nehmen Sie keine Veränderungen an den Lautsprechern oder am Zubehör vor. Nicht autorisierte Veränderungen können die Sicherheit, die Erfüllung von Richtlinien und die Systemleistung beeinträchtigen.
- Halten Sie Dämmstoffe gemäß der vorliegenden Installationsanleitung von den Lautsprechern fern.



WARNUNG: Enthält kleine Teile, die verschluckt werden können und eine Erstickungsgefahr darstellen. Nicht geeignet für Kinder unter drei Jahren.



WARNUNG: Dieses Produkt enthält magnetische Materialien. Wenden Sie sich an Ihren Arzt, wenn Sie wissen möchten, ob dies den Betrieb Ihres implantierten medizinischen Geräts beeinflussen kann.

HINWEIS: Dieses Produkt ist nicht zum Einsatz im Freien geeignet. Verwenden Sie den Verstärker nur innerhalb von Gebäuden und nicht in Campingfahrzeugen, auf Booten o. ä.

Wichtige Sicherheitshinweise

1. Lesen Sie die folgenden Anweisungen.
2. Bewahren Sie die Anweisungen auf.
3. Beachten Sie alle Warn- und Sicherheitshinweise.
4. Befolgen Sie alle Anweisungen.
5. Verwenden Sie dieses Gerät nicht in der Nähe von Wasser.
6. Stellen Sie das Gerät nur in Übereinstimmung mit den Herstelleranweisungen auf.
7. Stellen Sie das Gerät nicht in der Nähe von Wärmequellen auf, wie Heizkörpern, Wärmespeichern, Öfen oder anderen Geräten(auch Verstärkern), die Wärme erzeugen.
8. Verwenden Sie nur Zubehör-/Anbauteile, die vom Hersteller zugelassen sind.

Namen und Inhalt der giftigen oder gefährlichen Stoffe oder Elemente						
Name des Teils	Gefährliche Stoffe oder Elemente					
	Blei (Pb)	Quecksilber (Hg)	Kadmium (Cd)	Sechswertiges Chrom (CR(VI))	Polybromiertes Biphenyl (PBB)	Polybromiertes Diphenylether (PBDE)
PCBs	X	O	O	O	O	O
Metallteile	X	O	O	O	O	O
Kunststoffteile	O	O	O	O	O	O
Lautsprecher	X	O	O	O	O	O
Kabel	X	O	O	O	O	O

Diese Tabelle wurde in Übereinstimmung mit den Bestimmungen von SJ/T 11364 erstellt.
 O: Gibt an, dass dieser giftige oder gefährliche Stoff, der in allen homogenen Materialien für dieses Teil enthalten ist, unter den Grenzwerten gemäß GB/T 26572 liegt.
 X: Gibt an, dass dieser giftige oder gefährliche Stoff, der in mindestens einem der homogenen Materialien enthalten ist, die für dieses Teil verwendet wurden, über den Grenzwerten gemäß GB/T 26572 liegt.



Dieses Symbol bedeutet, dass das Produkt nicht mit dem Hausmüll entsorgt werden darf, sondern bei einer geeigneten Sammelstelle für das Recycling abgegeben werden muss. Die ordnungsgemäße Entsorgung und das Recycling tragen dazu bei, die natürlichen Ressourcen, die Gesundheit und die Umwelt zu schützen. Weitere Informationen zur Entsorgung und zum Recycling dieses Produkts erhalten Sie von Ihrer zuständigen Kommune, Ihrem Entsorgungsdienst oder dem Geschäft, in dem Sie dieses Produkt gekauft haben.



Die Bose Corporation erklärt hiermit, dass dieses Produkt die wesentlichen Anforderungen und andere relevante Bestimmungen der Richtlinie 1999/5/CE und weitere geltende EU-Richtlinien erfüllt. Die vollständige Konformitätserklärung ist einsehbar unter www.Bose.com/compliance

China-Import: Bose Electronics (Shanghai) Company Limited, Part C, Plan 9, No. 353 North Riyang Road, China (Shanghai) Pilot Free Trade Zone

EU-Import: Bose Products B.V., Gorslaan 60, 1441 RG Purmerend, Niederlande

Taiwan-Import: Bose Taiwan Branch, Room 905, 9F, Worldwide House, 131 Min Sheng East Rd, Section 3, Taipei, Taiwan, 105

Bitte füllen Sie Folgendes aus und bewahren Sie es für Ihre Unterlagen auf:

Modellnummer: _____

Seriennummer: _____

Kaufdatum: _____

Bewahren Sie die Quittung zusammen mit dieser Bedienungsanleitung auf.

Herstellungsdatum:

Die erste fett geschriebene Ziffer in der Seriennummer gibt das Herstellungsjahr an: „5“ ist 2005 oder 2015.

Einführung

Über die <i>Virtually Invisible</i> ® 791 Serie II oder 591 Lautsprecher für den Deckeneinbau	4
Auspacken.....	4
Empfohlene Werkzeuge	4
Anforderungen der Lautsprecherkabel	4
Aufstellungshinweise.....	4
Aufstellung in einer nicht fertiggestellten Konstruktion.....	4

Installieren der Lautsprecher

Aussägen der Lautsprecheröffnung	5
Anschließen der Lautsprecherkabel	5
Installieren der Lautsprecher.....	6
Anbringen des Gitters	6

Pflege und Wartung

Fehlerbehebung.....	7
Zubehör	7
Kundendienst.....	7
Eingeschränkte Garantie.....	7
Technische Daten.....	7

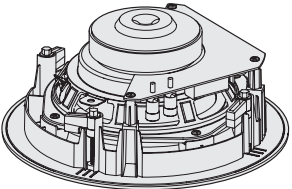
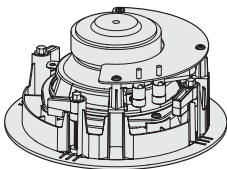
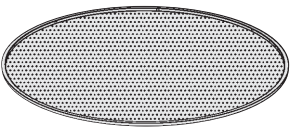
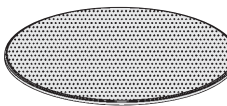
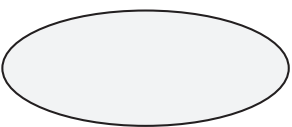

Einführung

Über die *Virtually Invisible*® 791 Serie II oder 591 Lautsprecher für den Deckeneinbau

Die Bose® *Virtually Invisible*® 791 Serie II oder 591 Lautsprecher für den Deckeneinbau liefern hervorragende Leistung für das Anhören von Stereo-Musik und den Heimkinogenuss.

Auspacken

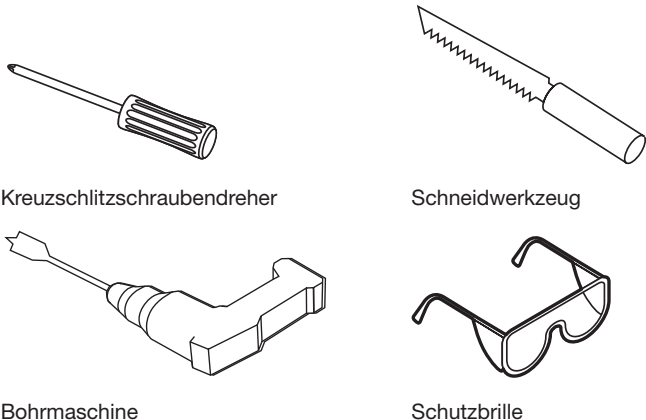
Packen Sie den Karton vorsichtig aus und überprüfen Sie, ob die folgenden Teile enthalten sind:

<i>Virtually Invisible</i> ® 791 Serie II Lautsprecher	<i>Virtually Invisible</i> ® 591 Lautsprecher
	
Zwei Lautsprecher	Zwei Lautsprecher
	
Zwei Lautsprechergitter	Zwei Lautsprechergitter
	
Schablone	Schablone

Hinweis: Sollten Teile des Systems beschädigt sein, verwenden Sie sie nicht. Wenden Sie sich an den Bose®-Fachhandel oder den Bose-Kundendienst. Ein Blatt mit Kontaktinformationen finden Sie im Karton.

Empfohlene Werkzeuge

Sie benötigen zum Installieren evtl. folgende Werkzeuge:



Kreuzschlitzschraubendreher

Schneidwerkzeug

Bohrmaschine

Schutzbrille

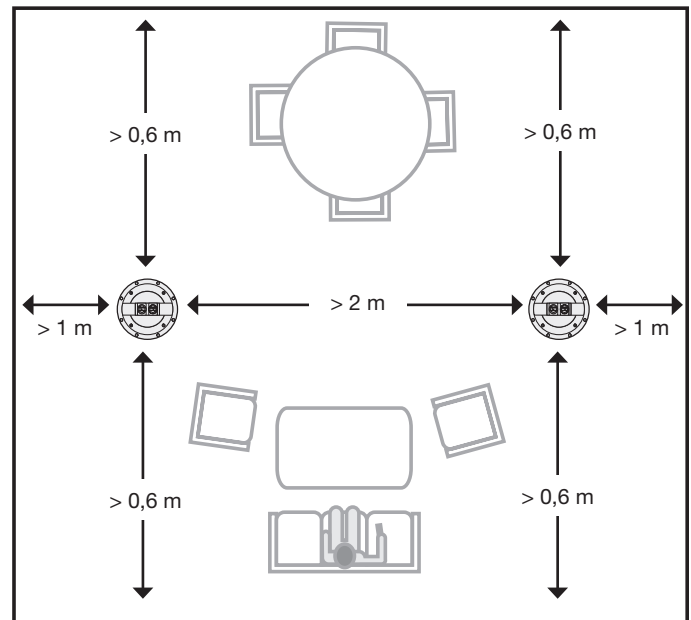
Anforderungen der Lautsprecherkabel

Querschnitt	Maximale Länge
18 AWG (0,82 mm ²)	6 m
16 AWG (1,3 mm ²)	9 m
14 AWG (2,1 mm ²)	15 m
12 AWG (3,3 mm ²)	27 m

- Lassen Sie genug Kabel von der Decke herausstehen, um die Lautsprecher vor der Installation zu verkabeln.
- Entfernen Sie 13 mm der Isolierung an jedem Ende beider Kabel.
- Bitte sehen Sie in Ihren örtlichen Bauvorschriften und verwenden Sie die richtigen Kabeltypen für den Deckeneinbau.
- Wenden Sie sich für Informationen zur Installation der Lautsprecherkabel an einen fachkundigen Elektriker oder einen A/V-Monteur.

Aufstellungshinweise

Stellen Sie für optimale Stereoleistung die Lautsprecher in einer ähnlichen Position wie in der folgenden Abbildung mit mindestens den vorgeschlagenen Abständen auf:



Hinweise:

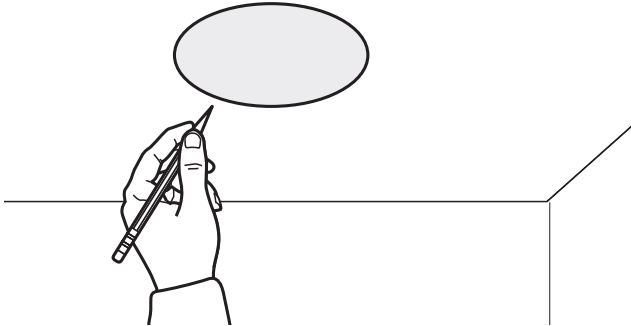
- Mit einem Balkenfinder können Sie sicherstellen, dass die Lautsprecheröffnung sich mindestens 12 cm von einem Träger entfernt befindet.
- Montieren Sie diese Lautsprecher nur in einem Holzrahmen oder in einer ähnlichen Konstruktion. Bose empfiehlt die Installation dieser Lautsprecher in einem Holzrahmen oder einer ähnlichen Konstruktion mit Trägern in angemessenen Abständen, wie bei einer 2 x 6-Konstruktion.

Aufstellung in einer nicht fertiggestellten Konstruktion

Wenn Sie eine Installation in einer nicht fertiggestellten Konstruktion planen, sollten Sie den Bose-Einbausatz verwenden. Siehe „Zubehör“ auf Seite 7.

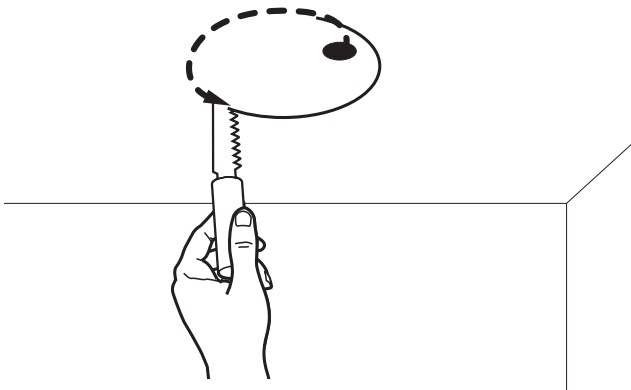
Aussägen der Lautsprecheröffnung

1. Zeichnen Sie am vorgesehenen Ort der Lautsprecher eine Linie um die Schablone.



WARNUNG: Schneiden Sie nicht in Flächen, hinter denen sich elektrische Leitungen, Rohre oder ähnliches befinden. Wenn Sie Bedenken bei der Befestigung der Lautsprecher haben, ziehen Sie einen qualifizierten Fachbetrieb zu Rate.

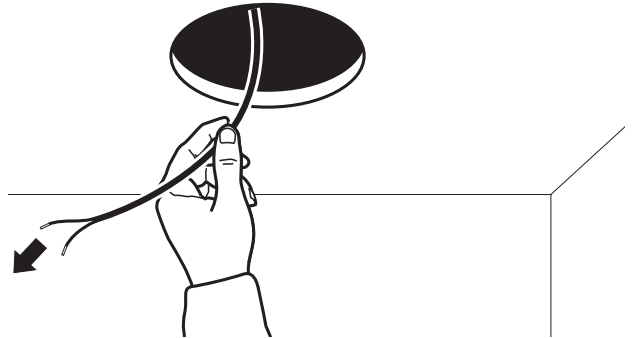
2. Bohren Sie in den Schablonenbereich ein Loch, das für Ihr Schneidwerkzeug groß genug ist.
3. Schneiden Sie entlang der gezeichneten Linie.



4. Entfernen Sie das ausgeschnittene Teil.
5. Beseitigen Sie gerissene oder raue Materialien rund um die Öffnung.

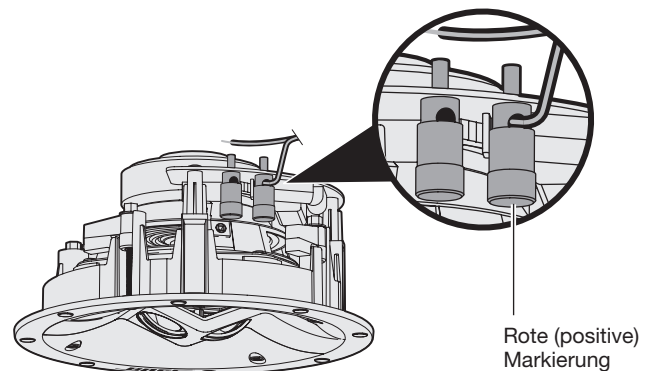
Anschließen der Lautsprecherkabel

1. Ziehen Sie mind. 36 cm Lautsprecherkabel heraus. Lassen Sie genug Kabel übrig, um den Lautsprecher an Ihrem Standort anzuschließen.



2. Schließen Sie die positive Ader an die rot markierte Klemme am Lautsprecher an.

Hinweis: Die Klemmenmarkierung befindet sich oben an der Klemme.



Virtually Invisible® 591 Lautsprecher

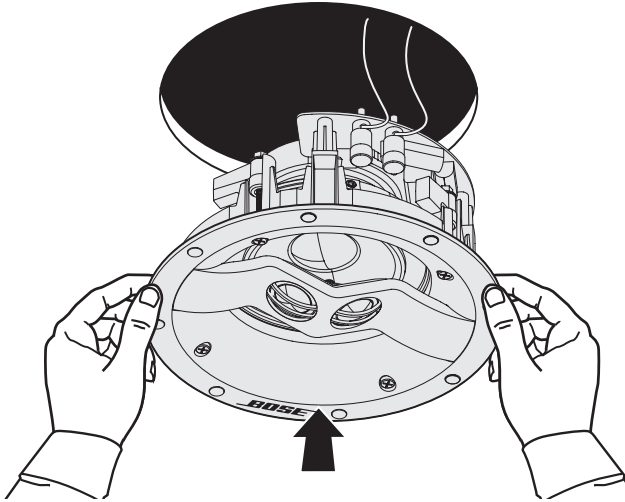
3. Schließen Sie die negative Ader an die schwarz markierte Klemme am Lautsprecher an.

Installieren der Lautsprecher

Installieren der Lautsprecher

1. Halten Sie den Lautsprecher an den Außenkanten, während Sie ihn in die Öffnung einführen.

Hinweis: Drücken Sie nicht auf die zwei kleinen Treiber an der Vorderseite des Lautsprechers. Dies könnte den Lautsprecher beschädigen.

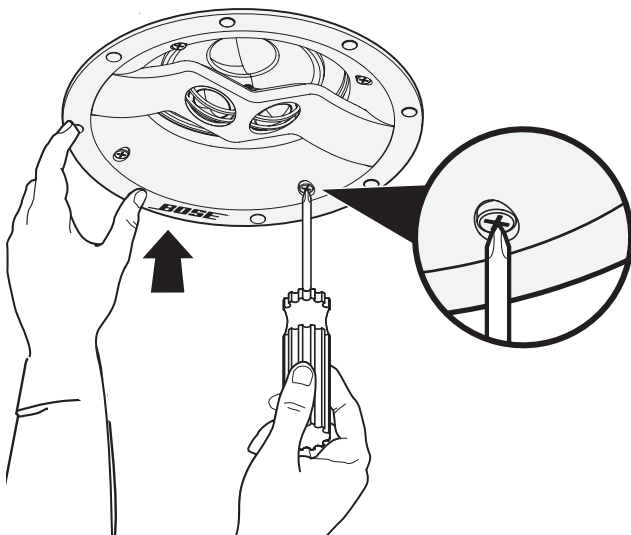


Virtually Invisible® 591 Lautsprecher

ACHTUNG: Bestimmte Formen der Dämmung (wie Zeitungen, Zellulose oder andere eingeblasene Materialien) können eine Brandgefahr darstellen. Halten Sie Dämmstoffe von den Lautsprechern fern.

2. Ziehen Sie alle Klemmschrauben mit einem Kreuzschlitzschraubendreher fest.

Hinweis: Wenn Sie einen Akkuschauber verwenden, stellen Sie die niedrigste Geschwindigkeit ein.

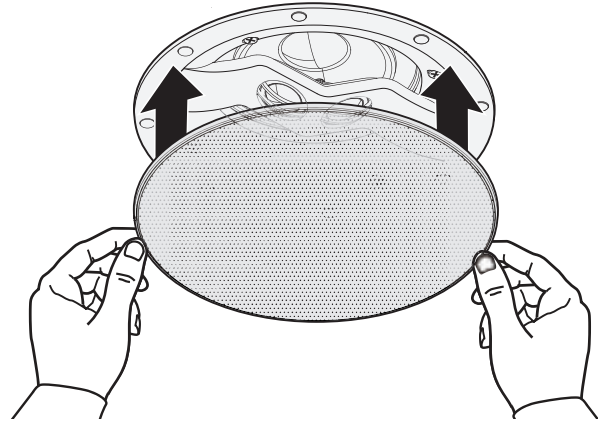


Virtually Invisible® 591 Lautsprecher

Anbringen des Gitters

Das Gitter wird mit Magneten am Rand des Lautsprechers angebracht.

Bringen Sie das Gitter am Lautsprecher an.



Virtually Invisible® 591 Lautsprecher

Lackieren des Gitters

Sie können die Lautsprechergitter lackieren, bevor Sie sie am Lautsprecher anbringen. Bose® übernimmt keine Verantwortung für die Haftfähigkeit und Qualität der nachträglich aufgetragenen Farbe.

- Latexfarbe oder Wandfarbe auf Ölbasis muss zum Sprühen mit einer Spritzpistole verdünnt werden. Nähere Informationen finden Sie in der mit Ihrer Spritzpistole mitgelieferten Bedienungsanleitung.
- Gehen Sie bei der Verwendung von scharfen oder spitzen Gegenständen vorsichtig vor, um Lackansammlungen in den Gitterlochungen zu entfernen. Dies kann das Gitter beschädigen.

Fehlerbehebung

Problem	Lösung
Kein Ton an den Lautsprechern	<ul style="list-style-type: none"> • Stellen Sie sicher, dass die Lautsprecherkabel nicht von den Lautsprechern oder dem Empfänger/Verstärker getrennt werden. • Prüfen Sie die Einstellungen an Ihrem Receiver/Verstärker. Weitere Informationen zu den Einstellungen finden Sie in der Bedienungsanleitung des Receivers/Verstärkers. • Wenn weitere Stereolautsprecher an einen zweiten Satz Audioausgänge an Ihrem Receiver/Verstärker angeschlossen sind, wählen die richtigen A- oder B-Lautsprechereinstellungen für die A- oder B-Ausgänge der Lautsprecher.
Kein Ton von einem Lautsprecher	<ul style="list-style-type: none"> • Bringen Sie den Balance-Regler am Receiver bzw. Verstärker in die mittlere Stellung. • Vergewissern Sie sich, dass sich die Adern an den positiven und negativen Klemmen am Receiver/Verstärker nicht berühren. • Entfernen Sie das Lautsprecherkabel vom Ausgang des Receivers/Verstärkers und verbinden Sie es mit einem anderen Kanal. • Prüfen Sie, ob sich die Adern an den positiven und negativen Klemmen an der Stelle berühren, an der die Lautsprecherkabel an den Lautsprecher angeschlossen sind. • Entfernen Sie das Lautsprecherkabel vom Lautsprecher und schließen Sie es an einen anderen Lautsprecher an. Wenn dieser Lautsprecher funktioniert, muss der andere Lautsprecher repariert werden. Ein Blatt mit Kontaktinformationen finden Sie im Karton. • Tauschen Sie das Lautsprecherkabel aus und installieren Sie es wieder, wenn diese Fehlerbehebungsschritte das Problem nicht lösen.
Schwache Bässe oder Höhen	<ul style="list-style-type: none"> • Passen Sie die Tonbalance-Einstellung am Receiver/Verstärker an. • Vergewissern Sie sich, dass keine Lücken zwischen dem Lautsprecherrahmen und der Wandfläche vorhanden sind. • Vertauschen Sie die Adern, die an den positiven und negativen Klemmen am Receiver/Verstärker angeschlossen sind. • Entfernen Sie das Lautsprecherkabel vom Ausgang des Receivers/Verstärkers und verbinden Sie es mit einem anderen Kanal.
Rauschen vom Lautsprecher	<ul style="list-style-type: none"> • Vergewissern Sie sich, dass die Kabel in gutem Zustand sind, dass sie fest an den Lautsprecher und den Receiver/Verstärker angeschlossen sind und dass sie sich zwischen Klemmen nicht berühren. • Schließen Sie die Musikquelle richtig an den Receiver/Lautsprecher an. • Siehe „Kein Ton von einem Lautsprecher“.

Zubehör

Verwenden Sie für nicht fertiggestellte Konstruktionen den Bose®-Einbausatz.

Der Bausatz enthält die Teile für zwei Lautsprecher und ist für die Montage nach Anbringen der Träger und vor Hinzufügen der Gipskartonplatten gedacht. Der Bausatz reserviert einen Platz für jeden Lautsprecher und gibt an, wo die Lautsprecheröffnung in der Gipskartonplatte erfolgen soll.

Wenden Sie sich an Ihren Bose-Kundendienst, wenn Sie weitere Informationen wünschen oder Zubehörteile bestellen möchten. Ein Blatt mit Kontaktinformationen finden Sie im Karton.

Kundendienst

Wenn Sie zusätzliche Hilfe bei der Verwendung des Systems benötigen:

- Besuchen Sie owners.Bose.com
- Wenden Sie sich an den Bose-Kundendienst. Ein Blatt mit Kontaktinformationen finden Sie im Karton.

Eingeschränkte Garantie

Für das System gilt eine eingeschränkte Garantie. Einzelheiten zu den Garantiebedingungen finden Sie auf der Produktregistrierungskarte im Karton. Wie Sie sich registrieren, ist auf der Karte beschrieben. Ihre eingeschränkte Garantie ist jedoch unabhängig von der Registrierung gültig.

Die mit diesem Produkt angegebenen Garantieinformationen gelten nicht in Australien und Neuseeland. Nähere Informationen zu unserer Garantie in Australien und Neuseeland finden Sie auf unserer Website unter www.Bose.com.au/warranty oder www.Bose.co.nz/warranty.

Technische Daten

Kompatibilität

Kompatibel mit Verstärkern oder Receivern mit 10-100 W pro Kanal/4 bis 8 Ohm

Virtually Invisible® 791 Serie II: 50 W Dauerbelastbarkeit nach IEC an 6 Ohm

Virtually Invisible® 591: 50 W Dauerbelastbarkeit nach IEC an 8 Ohm

***Virtually Invisible*® 791 Serie II Treiber:**

Zwei 1" (25,4 mm) Kalottenhöchtöner als Array konfiguriert
Ein 7" (178 mm) High-Excursion-Woofers

***Virtually Invisible*® 591 Treiber:**

Zwei ¾" (19 mm) Kalottenhöchtöner als Array konfiguriert
Ein 5" (127 mm) High-Excursion-Woofers

***Virtually Invisible*® 791 Serie II Abmessungen**

Durchmesser: 214 mm

Tiefe in der Decke: 105,2 mm

Gitterdurchmesser: 254 mm

Durchmesser der Deckenöffnung: 219 mm

***Virtually Invisible*® 591 Abmessungen:**

Durchmesser: 166 mm

Tiefe in der Decke: 96,7 mm

Gitterdurchmesser: 206 mm

Erforderlicher Durchmesser der Deckenöffnung: 170 mm Durchmesser

Gewicht

Virtually Invisible® 791 Serie II: jeweils 2,18 kg

Virtually Invisible® 591: jeweils 1,45 kg

Belangrijke veiligheidsinstructies

Lees deze gebruikershandleiding zorgvuldig door en bewaar deze voor toekomstig gebruik.



WAARSCHUWINGEN:

- Plaats geen open vlam, zoals een brandende kaars, op of bij het product.
- Alle Bose-producten moeten worden gebruikt volgens de plaatselijke en landelijke voorschriften en industriënormen. Het is de verantwoordelijkheid van de installateur om te zorgen dat de installatie van de luidsprekers en het montagesysteem wordt uitgevoerd volgens de toepasselijke bouwvoorschriften, waaronder de plaatselijke bouwvoorschriften.
- Het op onveilige wijze monteren of ophangen van een zware last kan leiden tot ernstig letsel en schade aan de apparatuur. Het is de verantwoordelijkheid van de installateur om de betrouwbaarheid van de voor de toepassing gebruikte montagemethode te beoordelen.



LET OP:

- De luidsprekers zijn niet ontworpen voor installatie in muren, gemetselde plafonds of verlaagde plafonds en worden daarvoor niet aanbevolen.
- Dit product is niet bedoeld voor gebruik in lucht verwerkende plenumruimtes.
- Zie de behuizing van het product voor veiligheidsmarkeringen.
- Breng geen wijzigingen aan de luidsprekers of de accessoires aan. Wijzigingen door onbevoegden kunnen de veiligheid, de naleving van voorschriften en de werking van het systeem in gevaar brengen.
- Zorg dat er geen isolatiemateriaal rond de luidsprekers zit, conform de installatie-instructies in deze handleiding.



WAARSCHUWING: Bevat kleine onderdelen die een verstikkingsgevaar kunnen vormen. Niet geschikt voor kinderen jonger dan 3 jaar.



WAARSCHUWING: Dit product bevat magnetisch materiaal. Neem contact op met uw arts als u vragen hebt over de invloed die dit kan hebben op de werking van uw implanteerbare medische hulpmiddel.

OPMERKING: Dit product moet binnenshuis worden gebruikt. Het is niet ontworpen of getest voor gebruik buitenshuis, in recreatievoertuigen of op boten.

Belangrijke veiligheidsinstructies

1. Lees deze instructies door.
2. Bewaar deze instructies.
3. Neem alle waarschuwingen in acht.
4. Volg alle instructies.
5. Gebruik dit apparaat niet in de buurt van water.
6. Installeer het apparaat volgens de instructies van de fabrikant.
7. Niet installeren in de buurt van warmtebronnen, zoals radiatoren, verwarmingsroosters, kachels of andere apparaten (waaronder versterkers) die warmte produceren.
8. Gebruik uitsluitend aansluitstukken/accessoires die door de fabrikant worden gespecificeerd.

Namen van en gehalte aan giftige of gevaarlijke stoffen of elementen						
Naam onderdeel	Giftige of gevaarlijke stoffen en elementen					
	Lood (Pb)	Kwik (Hg)	Cadmium (Cd)	Zeswaardig chroom (Cr(VI))	Polybroombifenylnyl (PBB)	Polybroomdifenylether (PBDE)
PCB's	X	O	O	O	O	O
Metalen onderdelen	X	O	O	O	O	O
Plastic onderdelen	O	O	O	O	O	O
Luidsprekers	X	O	O	O	O	O
Kabels	X	O	O	O	O	O

Deze tabel is opgesteld in overeenstemming met de bepalingen van SJ/T 11364.
O: Geeft aan dat het gehalte aan deze giftige of gevaarlijke stof in alle homogene materialen van dit onderdeel onder de maximaal toegelaten waarden in GB/T 26572 ligt.
X: Geeft aan dat de giftige of gevaarlijke stof in minstens één van de voor dit onderdeel gebruikte homogene materialen boven de maximaal toegelaten waarden in GB/T 26572 ligt.



Dit symbool betekent dat het product niet mag worden weggegooid als huishoudelijk afval en naar een geschikt inzamelingspunt voor recycling moet worden gebracht. Het op de juiste wijze afvoeren en recyclen helpt natuurlijke hulpbronnen, de menselijke gezondheid en het milieu te beschermen. Voor meer informatie over het afvoeren en recyclen van dit product neemt u contact op met de gemeente waar u woont, de afvalverwerkingsdienst, of de winkel waar u dit product hebt gekocht.



Bose Corporation verklaart hierbij dat dit product voldoet aan de essentiële vereisten en andere relevante bepalingen van richtlijn 1999/5/EG en alle andere vereisten van de toepasselijke EU-richtlijnen. De volledige conformiteitsverklaring kunt u vinden op www.Bose.com/compliance

Importeur in China: Bose Electronics (Shanghai) Company Limited, Part C, Plan 9, No. 353 North Ruying Road, China (Shanghai) Pilot Free Trade Zone

Importeur in de EU: Bose Products B.V., Gorslaan 60, 1441 RG Purmerend, Nederland

Importeur in Taiwan: Bose Taiwan Branch, Room 905, 9F, Worldwide House, 131 Min Sheng East Rd, Section 3, Taipei, Taiwan, 105

Vul het volgende in en bewaar deze informatie voor uw administratie:

Modelnummer: _____

Serienummer: _____

Aankoopdatum: _____

Wij adviseren om het aankoopbewijs bij deze gebruikershandleiding te bewaren.

Fabricagedatum:

Het eerste vet gedrukte cijfer in het serienummer geeft het fabricagejaar aan. "5" is 2005 of 2015.

VIRTUALLY INVISIBLE is een gedeponerd handelsmerk van Bose Corporation in de VS en andere landen.

© 2017 Bose Corporation. Niets in deze uitgave mag worden gereproduceerd, gewijzigd, gedistribueerd of op andere wijze gebruikt zonder voorafgaande schriftelijke toestemming.

Inleiding

Over uw <i>Virtually Invisible</i> ® 791 series II- of 591-luidsprekers voor inbouw in het plafond	4
Uitpakken.....	4
Aanbevolen gereedschap	4
Vereisten voor luidsprekerdraden.....	4
Richtlijnen voor plaatsing.....	4
Plaatsing in een onvoltooide constructie.....	4

De luidsprekers installeren

Het gat voor de luidspreker uitzagen	5
De luidsprekerdraad aansluiten.....	5
De luidspreker installeren.....	6
Het rooster bevestigen	6

Verzorging en onderhoud

Problemen oplossen	7
Accessoires	7
Klantenservice	7
Beperkte garantie.....	7
Technische informatie.....	7

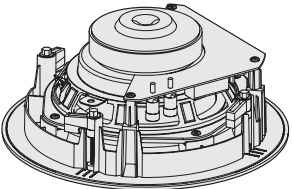
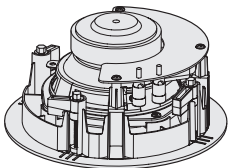
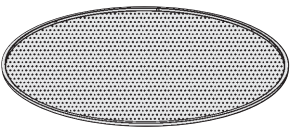
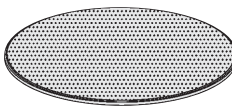


Inleiding

Over uw *Virtually Invisible*® 791 series II- of 591-luidsprekers voor inbouw in het plafond

De Bose® *Virtually Invisible*® 791- of 591-luidsprekers voor inbouw in het plafond bieden superieure prestaties voor het luisteren naar stereomuziek en genieten van een thuisbioscoopstelsel.

Uitpakken

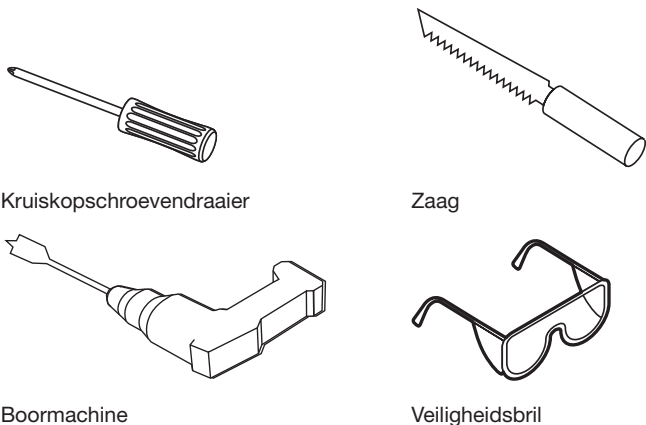
Pak de doos voorzichtig uit en controleer of de volgende onderdelen aanwezig zijn:

<i>Virtually Invisible</i> ® 791 series II-luidsprekers	<i>Virtually Invisible</i> ® 591 luidsprekers
	
Twee luidsprekers	Twee luidsprekers
	
Twee luidsprekerroosters	Twee luidsprekerroosters
	
Sjabloon	Sjabloon

Opmerking: Als een onderdeel van het systeem beschadigd is, mag u dit niet gebruiken. Neem contact op met uw erkende Bose®-dealer of de Bose-klantenservice. Zie het blad met contactgegevens in de doos.

Aanbevolen gereedschap

U kunt het volgende gereedschap gebruiken voor de installatie:



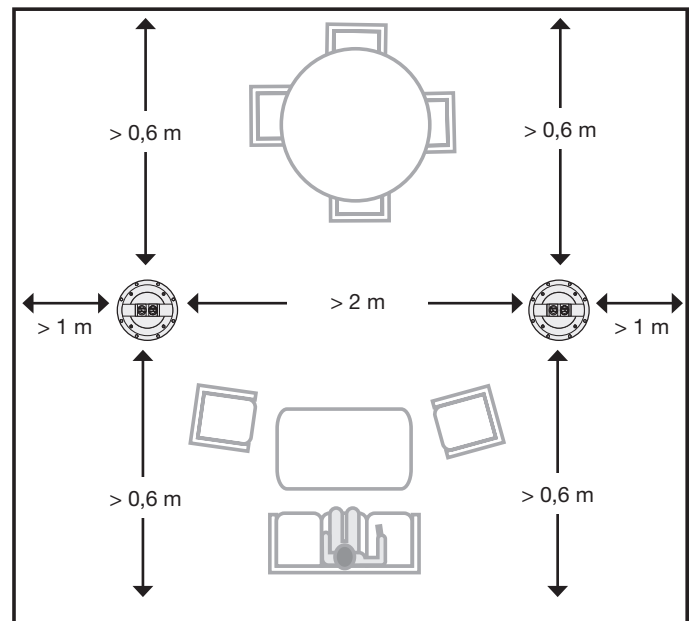
Vereisten voor luidsprekerdraden

Dikte	Maximumlengte
18 AWG (0,82 mm ²)	6 m
16 AWG (1,3 mm ²)	9 m
14 AWG (2,1 mm ²)	15 m
12 AWG (3,3 mm ²)	27 m

- Zorg vóór de installatie dat er voldoende draad uit het plafond komt om de luidsprekers aan te sluiten.
- Verwijder 13 mm isolatie aan beide uiteinden van beide draden.
- Raadpleeg de plaatselijke bouwvoorschriften en gebruik uitsluitend het juiste type draad voor installatie in het plafond.
- Voor informatie over het installeren van luidsprekerdraad raadpleegt u een professionele elektricien of audio-/video-installateur.

Richtlijnen voor plaatsing

Voor optimale stereoprestaties installeert u de luidsprekers in posities als te zien is in het onderstaande schema, met minimale afstanden als aangegeven:



Opmerkingen:

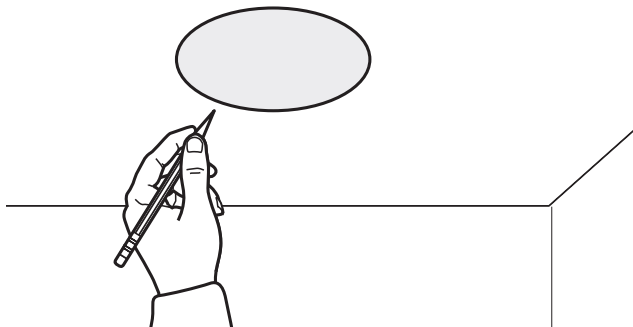
- Gebruik een balkzoeker om te zorgen dat het gat voor de luidspreker zich op een afstand van ten minste 12 cm van een balk bevindt.
- Monteer deze luidsprekers uitsluitend in een houtskelet- of vergelijkbare constructie. Bose adviseert om deze luidsprekers uitsluitend te installeren in een houtskelet- of vergelijkbare wandconstructie met staanders op voldoende afstand, zoals in 2x6-constructie.

Plaatsing in een onvoltooide constructie

Als u de luidsprekers wilt installeren in een onvoltooide constructie, koop dan de Bose-‘rough in kit’. Zie ‘Accessoires’ op pagina 7.

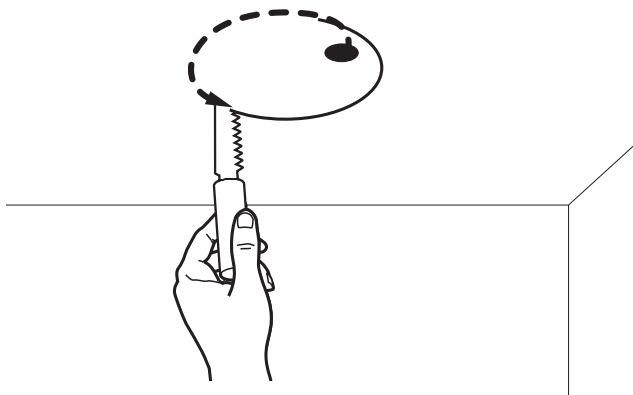
Het gat voor de luidspreker uitzagen

1. Teken de sjabloon af op de plaats van de luidspreker.



WAARSCHUWING: Zaag niet in oppervlakken waarachter gevaren verborgen zijn, zoals elektrische bedrading of water-, gas- of afvoerleidingen. Als u twijfelt of u deze luidspreker kunt monteren, neem dan contact op met een professionele installateur.

2. Boor een gat binnen het gebied van de sjabloon dat groot genoeg is voor uw zaag.
3. Zaag langs de lijn die u hebt afgetekend.

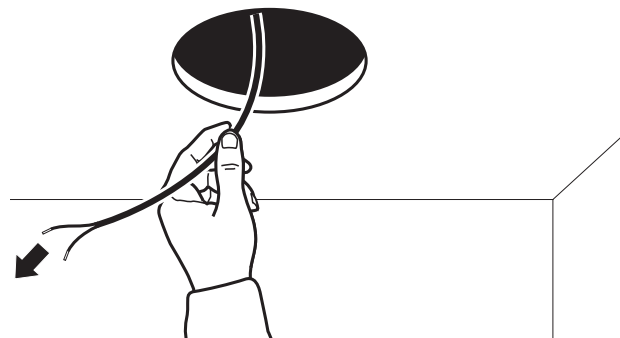


4. Verwijder het uitgezaagde deel.
5. Verwijder oneffenheden of rafelig materiaal rond het gat.

De luidsprekerdraad aansluiten

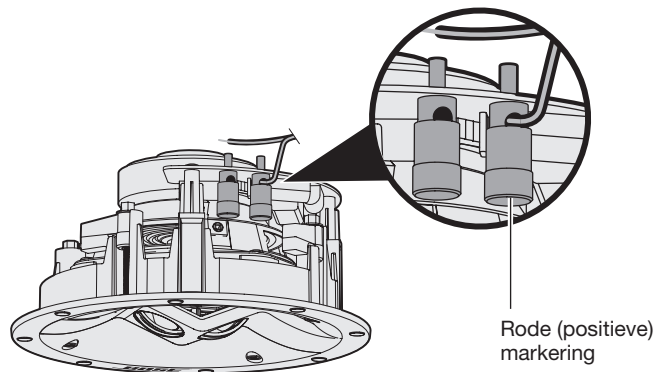
1. Trek minimaal 36 cm van de luidsprekerdraad uit het plafond.

Zorg dat er genoeg draad is om de luidspreker aan te sluiten vanaf de plaats waar u staat.



2. Sluit de positieve draad aan op de aansluitklem met een rode markering op de luidspreker.

Opmerking: De markering van de aansluitklem bevindt zich aan de bovenkant van de aansluitklem.



Virtually Invisible® 591-luidspreker

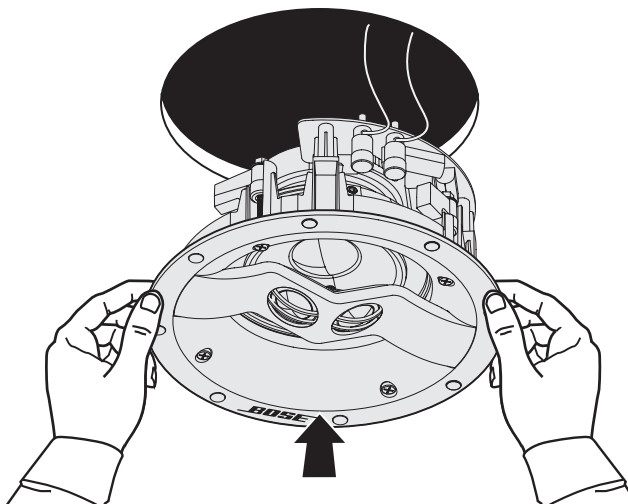
3. Sluit de negatieve draad aan op de aansluitklem met een zwarte markering op de luidspreker.

De luidsprekers installeren

De luidspreker installeren

1. Houd de buitenste randen van de luidspreker vast en breng deze in het gat in.

Opmerking: Druk niet op de twee kleine drivers aan de voorkant van de luidspreker. Hierdoor kan de luidspreker worden beschadigd.

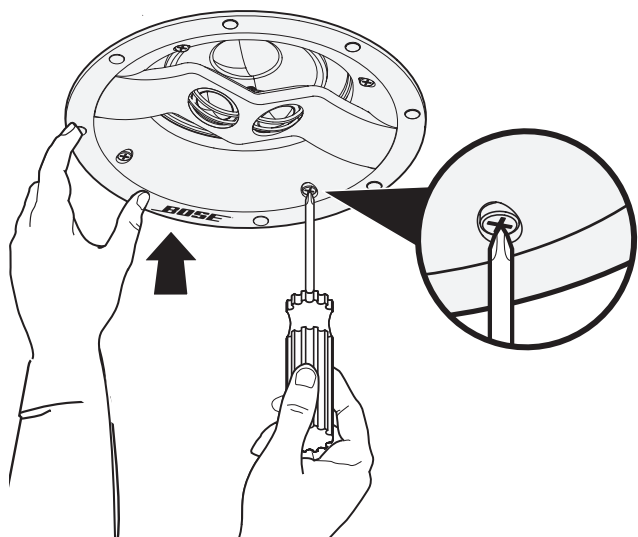


Virtually Invisible® 591-luidspreker

LET OP: Bepaalde soorten isolatie (zoals pleister met paardenhaar, kranten, cellulose of ingespoten materiaal) kunnen ontbrandingsgevaar opleveren. Zorg dat u alle isolatie weghoudt van de luidsprekers.

2. Draai alle klemmschroeven aan met een kruiskopschroevendraaier.

Opmerking: Als u een boormachine gebruikt, kies dan de laagste torsie-instelling.

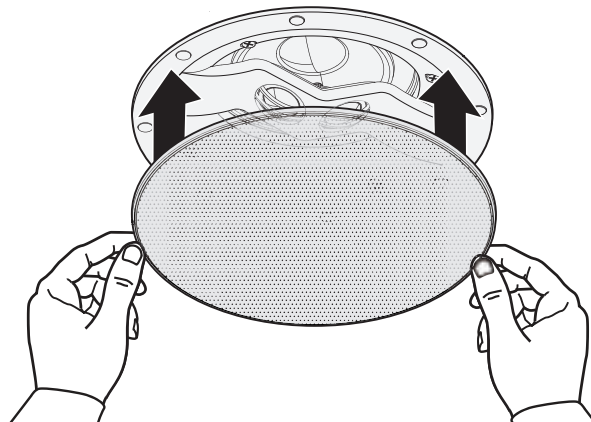


Virtually Invisible® 591-luidspreker

Het rooster bevestigen

Het rooster wordt magnetisch aan de rand van de luidspreker bevestigd.

Plaats het rooster op de luidspreker.



Virtually Invisible® 591-luidspreker

Het rooster verven

U kunt de luidsprekerroosters verven voordat u deze aan de luidspreker bevestigt. Bose® is niet verantwoordelijk voor de kwaliteit van adhesie of afwerking van niet in de fabriek aangebrachte verf.

- Als u verf op basis van latex of olie gebruikt, moet u de verf verdunnen als u een verfspuit gebruikt. Raadpleeg voor richtlijnen de handleiding die is bijgeleverd bij uw verfspuit.
- Wees voorzichtig bij het gebruik van een scherp instrument in de perforaties van het rooster om verf te verwijderen, aangezien dit kan leiden tot schade aan het rooster.

Problemen oplossen

Probleem	Wat te doen
Geen geluid uit de luidsprekers	<ul style="list-style-type: none"> Controleer of de luidsprekerdraden niet zijn losgeraakt van de luidsprekers of de receiver/versterker. Controleer de instellingen van de receiver/versterker. Raadpleeg de gebruikershandleiding van de receiver/versterker voor aanwijzingen voor instellingen. Als er andere stereoluidsprekers worden aangesloten op een tweede set audio-uitgangen op uw receiver/versterker, selecteer dan de juiste instelling voor luidspreker A of B zodat deze overeenkomt met de uitgangen A of B die zijn aangesloten op uw luidsprekers.
Geluid uit slechts één luidspreker	<ul style="list-style-type: none"> Centreer de balansregeling van de receiver/versterker. Zorg dat de draden van de positieve en negatieve aansluitklemmen op de receiver/versterker elkaar niet raken. Koppel de luidsprekerdraad los van het receiver-/versterkerkanaal en sluit deze opnieuw aan op een ander kanaal. Controleer of de draden van de positieve en negatieve aansluitklemmen elkaar niet raken op het punt waar de luidsprekerdraad op de luidspreker is aangesloten. Koppel de luidsprekerdraad los van de luidspreker en sluit deze opnieuw aan op een andere luidspreker. Als deze luidspreker werkt, moet uw luidspreker mogelijk worden gerepareerd. Zie het blad met contactgegevens in de doos. Als het probleem met deze stappen niet wordt opgelost, vervang dan de luidsprekerdraad en installeer deze opnieuw.
Zwakke lage/hoge tonen	<ul style="list-style-type: none"> Stel de toonbalansinstelling op uw receiver/versterker bij. Zorg dat er geen spleten zitten tussen het luidsprekerframe en het muuropervlak. Wissel de draden om die zijn aangesloten op de positieve en negatieve aansluitklemmen op de receiver/versterker. Koppel de luidsprekerdraad los van het receiver-/versterkerkanaal en sluit deze opnieuw aan op een ander kanaal.
Storing/ruis van luidspreker	<ul style="list-style-type: none"> Zorg dat alle draden in goede staat verkeren, stevig zijn aangesloten op de luidspreker en elkaar niet raken tussen de aansluitklemmen. Sluit de muziekbron goed op de receiver/versterker aan. Zie "Geluid uit slechts één luidspreker".

Accessoires

Voor onvoltooide constructies gebruikt u de Bose®-'rough-in kit'.

De kit bevat onderdelen voor twee luidsprekers en is ontworpen voor installatie nadat de balken zijn geplaatst en voordat wandplaten zijn toegevoegd. Na installatie houdt de kit ruimte vrij voor elke luidspreker en geeft deze aan waar de gaten in de wandplaten moeten komen.

Voor meer informatie of voor het bestellen van accessoires neemt u contact op met de Bose-klantenservice. Zie het blad met contactgegevens in de doos.

Klantenservice

Voor verdere hulp bij gebruik van het systeem:

- Ga naar owners.Bose.com
- Neem contact op met de Bose-klantenservice. Zie het blad met contactgegevens in de doos.

Beperkte garantie

Voor uw systeem geldt een beperkte garantie. Informatie over de beperkte garantie wordt vermeld op de productregistratiekaart in de doos. Zie de kaart voor informatie over hoe u het product registreert. Als u het product niet registreert, is dit niet van invloed op uw rechten onder de beperkte garantie.

De bij dit product verstrekte garantie-informatie is niet van toepassing in Australië en Nieuw-Zeeland. Zie onze website op www.Bose.com.au/warranty of www.Bose.co.nz/warranty voor informatie over de garantie voor Australië en Nieuw-Zeeland.

Technische informatie

Compatibiliteit

Compatibel met versterkers of receivers van 10-100 W per kanaal/geschikt voor 4 tot 8 ohm

Virtually Invisible® 791 series II: 50 W IEC voortdurende belastbaarheid; 6 ohm

Virtually Invisible® 591: 50 W IEC voortdurende belastbaarheid; 8 ohm

Virtually Invisible® 791 series II-drivers:

Twee koepeltweeters van 25,4 mm geconfigureerd in een array

Eén woofer van 178 mm met hoge uitslag

Virtually Invisible® 591-drivers:

Twee koepeltweeters van 19 mm geconfigureerd in een array

Eén woofer van 127 mm met hoge uitslag

Afmetingen van de *Virtually Invisible*® 791 series II:

Diameter: 214 mm

Diepte in plafond: 105,2 mm

Diameter van het rooster: 254 mm

Diameter van het gat in het plafond: 219 mm

Afmetingen van de *Virtually Invisible*® 591:

Diameter: 166 mm

Diepte in plafond: 96,7 mm

Diameter van het rooster: 206 mm

Benodigde diameter van het gat in het plafond: 170 mm

Gewicht

Virtually Invisible® 791 series II: 2,18 kg per stuk

Virtually Invisible® 591: 1,45 kg per stuk

Instrucciones importantes de seguridad

Lea atentamente esta guía del usuario y consérvela para consultarla en el futuro.



ADVERTENCIAS:

- No coloque sobre el producto, o en su proximidad fuentes de llamas al descubierto, como velas encendidas.
- Todos los productos Bose® deben cumplir con las reglamentaciones locales, estatales, federales e industriales. Es la responsabilidad del instalador que la instalación de los altavoces y el sistema de montaje se realice conforme a los códigos aplicables, incluyendo regulaciones y códigos edilicios locales.
- Un montaje no seguro o la suspensión aérea de cualquier objeto pesado puede resultar en lesiones graves y daño al equipo. Es la responsabilidad del instalador evaluar la confiabilidad de cualquier método de montaje que se use.



PRECAUCIONES:

- Estos altavoces no están diseñados ni recomendados para la instalación en la pared, cielorrasos de mampostería o en cielorrasos falsos.
- Este producto no se debe usar en espacios de cámaras de aire acondicionado.
- Vea la documentación del producto para las indicaciones de seguridad.
- No realice modificaciones a los altavoces ni a los accesorios. Las alteraciones no autorizadas pueden comprometer la seguridad, el cumplimiento regulatorio y el desempeño del sistema.
- Asegúrese de mantener alejado de los altavoces todo material aislante conforme con las instrucciones de instalación en esta guía.



ADVERTENCIA: Contiene piezas pequeñas que pueden representar un riesgo de asfixia. No es indicado para niños de menos de tres años de edad.



ADVERTENCIA: Este producto contiene material magnético. Póngase en contacto con su médico si tiene preguntas acerca de si esto podría afectar el funcionamiento de un dispositivo médico implantable.

NOTA: Este producto se debe utilizar en interiores. No está diseñado ni probado para su uso al aire libre, en vehículos recreacionales o en embarcaciones.

Instrucciones importantes de seguridad

1. Lea estas instrucciones.
2. Conserve estas instrucciones.
3. Tenga en cuenta las advertencias.
4. Siga todas las instrucciones.
5. No use este aparato cerca del agua.
6. Realice la instalación conforme a las instrucciones del fabricante.
7. No lo instale cerca de fuentes de calor como radiadores, rejillas de calefacción, estufas u otros aparatos (incluidos amplificadores) que emanen calor.
8. Use solamente los accesorios especificados por el fabricante.

Nombres y contenidos de las sustancias o elementos tóxicos o peligrosos						
Nombre de parte	Sustancias y elementos tóxicos o peligrosos					
	Plomo (pb)	Mercurio (Hg)	Cadmio (Cd)	Hexavalente	Bifenilo polibromado (PBB)	Difeniléter polibromado (PBDE)
PCB	X	O	O	O	O	O
Partes metálicas	X	O	O	O	O	O
Partes plásticas	O	O	O	O	O	O
Altavoces	X	O	O	O	O	O
Cables	X	O	O	O	O	O

Esta tabla está preparada conforme a las cláusulas de SJ/T 11364.
O: Indica que esta sustancia tóxica o peligrosa contenida en todos los materiales homogéneos para esta parte es inferior al requisito de límite de GB/T 26572.
X: Indica que esta sustancia tóxica o peligrosa que está presente en al menos uno de los materiales homogéneos utilizados para esta parte se encuentra por encima del requisito de límite de GB/T 26572



Este símbolo significa que el producto no debe desecharse como residuo doméstico y que debe entregarse a un centro de recolección apropiado para reciclaje. La eliminación y el reciclado adecuados ayudan a proteger los recursos naturales, la salud de las personas y el medioambiente. Para obtener más información sobre la eliminación y el reciclado de este producto, póngase en contacto con su municipio, el servicio de gestión de residuos o el comercio donde haya comprado este producto.



Por la presente, Bose Corporation declara que este producto cumple con los requisitos esenciales y con otras cláusulas relevantes de la Directiva 1999/5/EC y con todos los demás requisitos de directivas correspondientes de la UE. La declaración de conformidad completa se puede encontrar en www.Bose.com/compliance

Importador en China: Bose Electronics (Shanghai) Company Limited, Part C, Plan 9, No. 353 North Riyang Road, China (Shanghái) Pilot Free Trade Zone

Importador en UE: Bose Products B.V., Gorslaan 60, 1441 RG Purmerend, Países Bajos

Importador en Taiwán: Bose Taiwan Branch, Room 905, 9F, Worldwide House, 131 Min Sheng East Rd, Section 3, Taipei, Taiwán, 105

Complete y conserve para su registro:

Número de modelo: _____

Número de serie: _____

Fecha de compra: _____

Le sugerimos que guarde el recibo con esta guía del usuario

Fecha de fabricación:

El primer dígito en negritas del número de serie indica el año de fabricación; "5" es 2005 ó 2015.

VIRTUALLY INVISIBLE es una marca comercial registrada de Bose Corporation en EE.UU. y en otros países.

© 2017 Bose Corporation. No se puede reproducir, modificar, distribuir, o usar de otra manera ninguna parte de este trabajo sin previo consentimiento por escrito.

Introducción

Acerca de los altavoces de techo <i>Virtually Invisible</i> ® 791 serie II o 591	4
Desembalar.....	4
Herramientas recomendadas	4
Requisitos de los cables de altavoz.....	4
Pautas de colocación	4
Ubicación en una construcción sin terminar	4

Instalación de los altavoces

Agujero para los altavoces.....	5
Conexión del cable de altavoz.....	5
Instalación del altavoz.....	6
Fijación de la rejilla.....	6

Cuidado y mantenimiento

Solución de problemas	7
Accesorios	7
Servicio de atención al cliente	7
Garantía limitada.....	7
Información técnica	7

Introducción

Acerca de los altavoces de techo *Virtually Invisible*® 791 serie II o 591

Los altavoces de techo Bose® *Virtually Invisible*® 791 serie II o 591 brindan un desempeño superior para la escucha de música estéreo integrada.

Desembalar

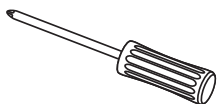
Desembale cuidadosamente la caja y confirme que estén incluidas las siguientes partes:

Altavoces <i>Virtually Invisible</i> ® 791 Serie II	Altavoces <i>Virtually Invisible</i> ® 591
Dos altavoces	Dos altavoces
Dos rejillas de altavoz	Dos rejillas de altavoz
Plantilla	Plantilla

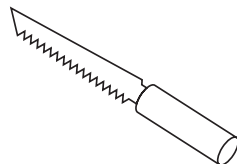
Nota: Si parte del sistema está dañado, no lo use. Comuníquese con un representante autorizado de Bose® o al Servicio de atención al cliente de Bose. Remítase a la hoja de contacto que se encuentra en la caja.

Herramientas recomendadas

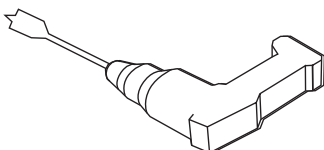
Es posible que necesite las siguientes herramientas para completar la instalación:



Destornillador tipo Phillips



Herramienta de corte



Taladro



Antiparras de seguridad

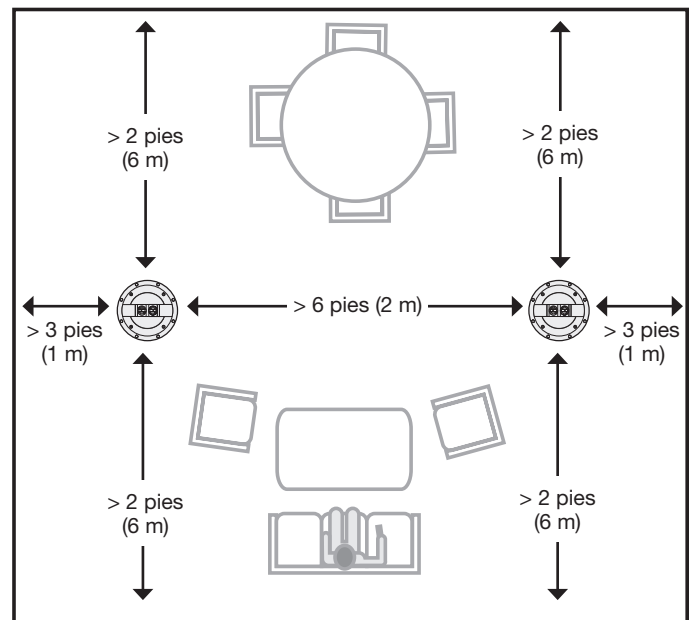
Requisitos de los cables de altavoz

Calibre	Longitud máxima
18 AWG (0,82 mm ²)	20 pies (6 m)
16 AWG (1,3 mm ²)	30 pies (9 m)
14 AWG (2,1 mm ²)	50 pies (15 m)
12 AWG (3,3 mm ²)	90 pies (27 m)

- Verifique que tenga suficiente cable del techo para conectar los altavoces antes de instalarlos.
- Tira de 13 mm de material aislante a cada extremo de ambos cables.
- Consulte los códigos de edificación local y solo use el tipo correcto de cable que se necesita para las instalaciones en el techo.
- Para información sobre cómo instalar el cable de altavoz, consulte un electricista profesional o instalador de audio/video.

Pautas de colocación

Para un óptimo desempeño estéreo, instale los altavoces en posiciones similares al siguiente diagrama a un mínimo de las distancias sugeridas:



Notas:

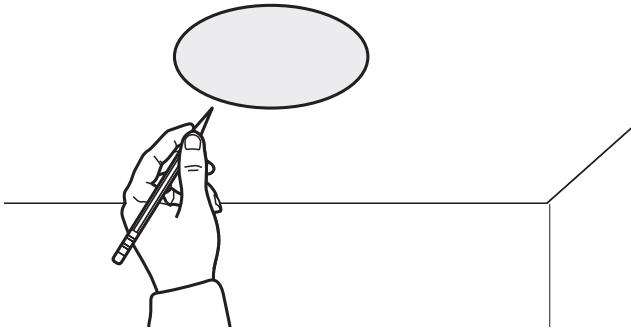
- Use un detector de vigas para asegurarse de que el agujero para el altavoz se encuentra al menos a 12cm de distancia de una viga.
- Monte los altavoces solo en un marco de madera o construcción similar. Bose recomienda instalar estos altavoces solo en un marco de madera o construcción similar con vigas adecuadamente espaciadas, como en una construcción 2 x 6.

Ubicación en una construcción sin terminar

Si planea instalarlos en un construcción sin terminar, adquiera el equipo de instalación de Bose. Vea "Accesorios" en la página 7.

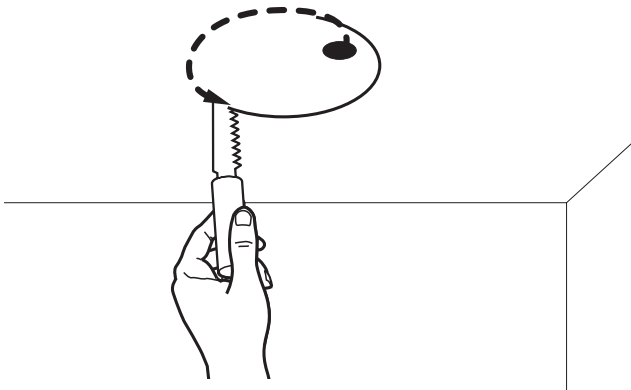
Agujero para los altavoces

1. Marque la plantilla en la ubicación de los altavoces.



ADVERTENCIA: No los monte sobre una superficie que no sea lo suficientemente estable, o que pueda presentar peligro como cables de electricidad o cañerías. Si no está seguro de cómo montar los altavoces, contacte a un instalador profesional.

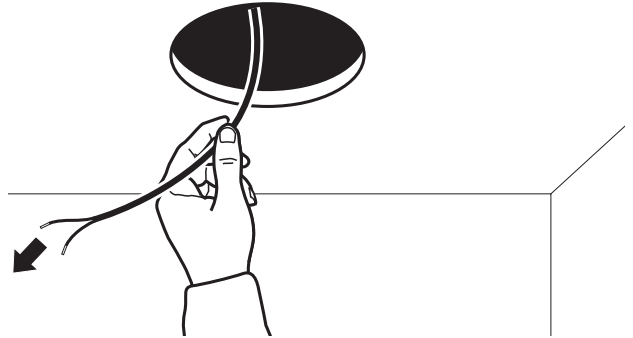
2. Perfore un agujero en el área de la plantilla lo suficientemente grande para la herramienta de corte.
3. Corte a lo largo de la línea trazada.



4. Quite la sección cortada.
5. Lije los bordes del agujero.

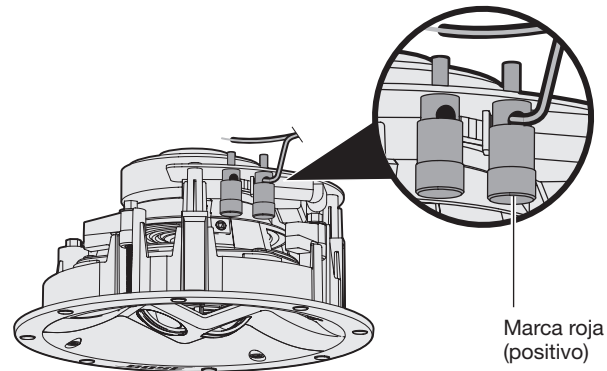
Conexión del cable de altavoz

1. Saque por lo menos 36 cm del cable de altavoz. Tenga suficiente cable para conectar el altavoz desde la distancia seleccionada.



2. Conecte el cable positivo al terminal de color rojo en el altavoz.

Nota: El color del terminal se encuentra en la parte superior del terminal.



Altavoz Virtually Invisible® 591

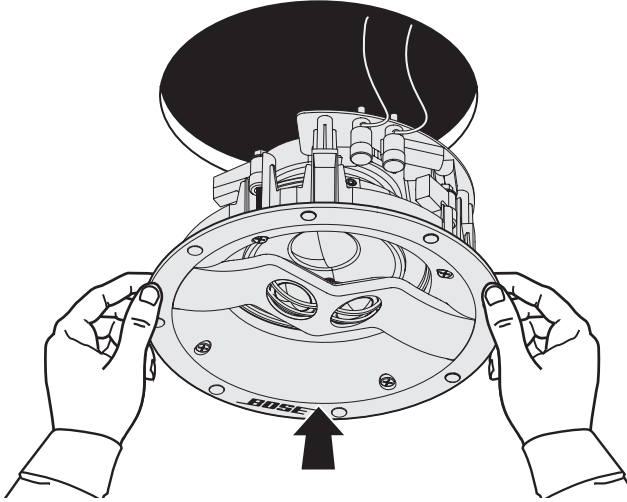
3. Conecte el cable negativo al terminal de color negro en el altavoz.

Instalación de los altavoces

Instalación del altavoz

1. Sujutando el altavoz por los bordes exteriores, inserte el altavoz en el agujero.

Nota: No presione sobre los dos pequeños parlantes en la cara del altavoz. Se podría dañar el altavoz.

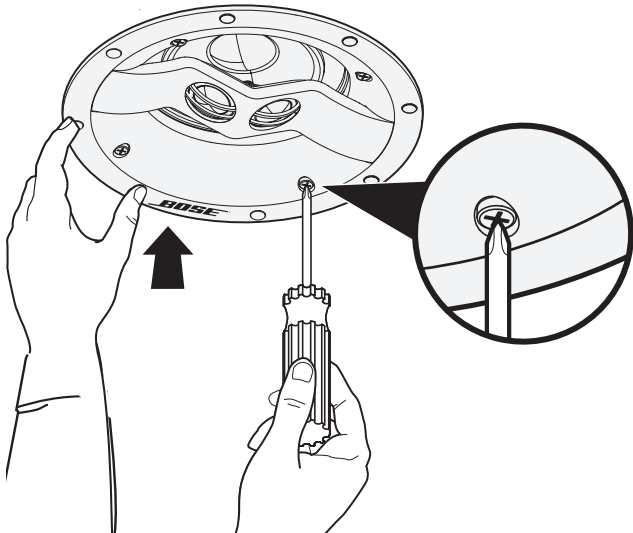


Altavoz *Virtually Invisible*® 591

PRECAUCIÓN: Ciertos tipos de materiales aislantes (por ejemplo yeso, periódicos, celulosa o materiales inyectados) pueden presentar riesgo de incendio. Asegúrese de mantener el material aislante alejado de los altavoces.

2. Ajuste los tornillos con un destornillador tipo phillips.

Nota: Si usa un taladro, elija la velocidad más baja.

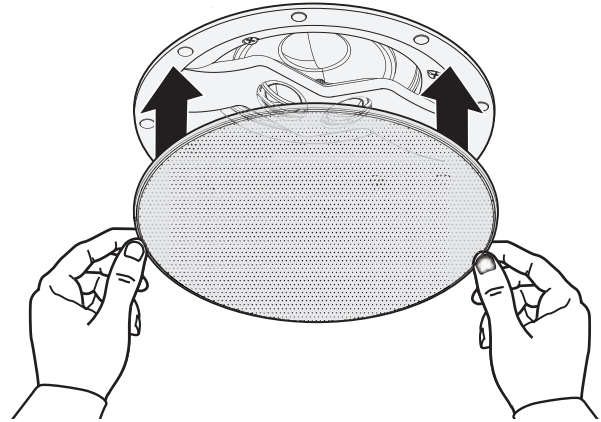


Altavoz *Virtually Invisible*® 591

Fijación de la rejilla

La rejilla se fija magnéticamente al borde del altavoz.

Coloque la rejilla en el altavoz.



Altavoz *Virtually Invisible*® 591

Pintar las rejillas

Puede pintar las rejillas del altavoz antes de colocar en el altavoz. Bose® no es responsable por las calidad de la adhesión o terminado de pinturas no aplicada en fábrica.

- La pintura a base de látex o aceite requiere solvente para usar con aplicador de aerosol. Consulte la guía del usuario suministrada con el aplicador de aerosol para más información.
- Tenga cuidado cuando usa un elemento filoso en las perforaciones de la rejilla para quitar pintura acumulada, se podría dañar la rejilla.

Solución de problemas

Problema	Qué hacer
Los altavoces no emiten sonido	<ul style="list-style-type: none"> • Verifique que los cables no se desconectaron de los altavoces o del receptor/amplificador. • Verifique la configuración en el receptor/amplificador. Consulte la guía del usuario del receptor/amplificador para instrucciones sobre la configuración. • Si se conectan otros altavoces estéreo a un segundo equipo de salida de audio en el receptor/amplificador, seleccione la configuración adecuada del altavoz A o B para que coincida con las salidas A o B conectadas a los altavoces.
Sonido de un solo altavoz	<ul style="list-style-type: none"> • Verifique el control del balance en el receptor/amplificador. • Verifique que ningún cable de los terminales positivo y negativo en el receptor/amplificador se estén tocando. • Desconecte el cable de altavoz del canal del receptor/amplificador y reconéctelo a un canal diferente. • Verifique que ningún cable de los terminales positivo y negativo se estén tocando donde se conecta el cable de altavoz al altavoz. • Desconecte el cable del altavoz y conéctelo a otro altavoz. Si este altavoz funciona, se necesita reparar el altavoz. Remítase a la hoja de contacto que se encuentra en la caja. • Reemplace y vuelva a instalar el cable de altavoz si estos pasos no solucionan el problema.
Los bajos y agudos son débiles	<ul style="list-style-type: none"> • Ajuste la configuración del balance en el receptor/amplificador. • Verifique que no haya separaciones entre el marco del altavoz y la superficie de la pared. • Verifique los cables conectados a los terminales positivo y negativo en el receptor/amplificador. • Desconecte el cable de altavoz del canal del receptor/amplificador y reconéctelo a un canal diferente.
Estática/ ruido proveniente del altavoz	<ul style="list-style-type: none"> • Verifique que los cables están en buenas condiciones, están firmemente conectados al altavoz y al receptor/amplificador y no se están tocando entre terminales. • Conectar la fuente de música al receptor/amplificador correctamente. • Vea "Sonido de un solo altavoz"

Accesorios

Para construcción sin terminar, use el equipo de instalación de Bose®.

El equipo contiene piezas para dos altavoces y está diseñado para la instalación después de colocar las vigas y antes de colocar el yeso. Cuando se instala, el equipo reserva un lugar para cada altavoz e indica dónde realizar el agujero del altavoz en el yeso.

Para más información o para ordenar los accesorios, contacte al Servicio de atención al cliente de Bose. Remítase a la hoja de contacto que se encuentra en la caja.

Servicio de atención al cliente

Para obtener ayuda adicional sobre el uso del sistema:

- Visite owners.Bose.com
- Comuníquese con el servicio de atención al cliente de Bose. Remítase a la hoja de contacto que se encuentra en la caja.

Garantía limitada

El sistema está cubierto con una garantía limitada. En la tarjeta de registro del producto en la caja se encuentran los detalles de la garantía limitada. Consulte la tarjeta para obtener instrucciones sobre cómo registrar el producto. Si no lo registra, no afectará sus derechos de garantía limitada.

La información de la garantía que se proporciona con este producto no se aplica en Australia y en Nueva Zelanda. Visite nuestro sitio web en www.Bose.com.au/warranty o www.Bose.co.nz/warranty para obtener detalles de la garantía de Australia y Nueva Zelanda.

Información técnica

Compatibilidad

Compatible con amplificadores o receptores de 10--100W por canal/de 4 a ohmios

Virtually Invisible® 791 serie II: Energía continua de 50W IEC; de 6 ohmios

Virtually Invisible® 591: Energía continua de 50W IEC; de 8 ohmios

Complemento de parlante de altavoces *Virtually Invisible*® 791 serie II:

Dos parlantes para agudos en cúpula 25,4 mm (1") dispuestos en un grupo

Un woofer de alta ejecución de 178 mm (7")

Complemento de parlante de *Virtually Invisible*® 591:

Dos parlantes para agudos en cúpula 19 mm (¾") dispuestos en un grupo

Un woofer de alta ejecución de 127 mm (5")

Dimensiones de los altavoces *Virtually Invisible*® 791 serie II:

Diámetro: 214 mm (8,4")

Profundidad en el techo: 105,2 mm (4,14")

Diámetro de rejilla: 254 mm (10")

Diámetro de agujero de techo: 219 mm (8⅝")

Dimensiones de *Virtually Invisible*® 591:

Diámetro: 166 mm (6,5")

Profundidad en el techo: 96,7 mm (3,8")

Diámetro de rejilla: 206 mm (8,11")

Diámetro de agujero del techo requerido: 170 mm (6,7") diámetro

Peso

Virtually Invisible® 791 serie II: 2,18 kg (4,8 libras) cada uno

Virtually Invisible® 591: 1,45 kg (3,19 libras) cada uno

Tärkeitä turvallisuusohjeita

Lue tämä käyttöohje huolellisesti ja säästä se tulevaa käyttöä varten.



VAROITUKSIA:

- Älä laita laitteen päälle tai lähelle avotulta, esimerkiksi palavaa kynttilää.
- Kaikkia Bose®-tuotteita käytettäessä on noudatettava paikallisia ja kansallisia määräyksiä. Asentajan vastuulla on varmistaa, että kaiuttimet ja kiinnitysjärjestelmä asennetaan sovellettavia rakennusmääräyksiä, kuten paikallisia rakennusmääräyksiä ja -säännöksiä, noudattaen.
- Raskaan esineen kiinnittäminen tai ripustaminen huonosti saattaa aiheuttaa vakavia henkilö- tai laitteistovahinkoja. Asentajan vastuulla on arvioida käytettävien kiinnitysmenetelmien luotettavuus.



VAROTOIMENPITEET:

- Näitä kaiuttimia ei ole tarkoitettu asennettaviksi seinään, tiilikattoon eikä alakattoon.
- Näitä kaiuttimia ei ole tarkoitettu käytettäväksi ilmanvaihtokanavissa.
- Kaiuttimien ulkokuorissa on turvallisuusmerkintöjä.
- Älä tee muutoksia kaiuttimiin tai niiden varusteisiin. Ilman lupaa tehdyt muutokset voivat vaarantaa turvallisuuden, vaatimusten täyttymisen ja järjestelmän tehokkuuden.
- Älä sijoita kaiuttimia eristeiden lähelle.



VAARA: Laitteessa on pieniä osia. Ne voivat aiheuttaa tukehtumisvaaran. Ei sovelly alle 3-vuotiaiden lasten käytettäväksi.



VAARA: Tämä laite sisältää magneetin. Jos mielessäsi on kysymyksiä vaikutuksesta lääketieteelliseen implanttiin, ota yhteys lääkäriin.

HUOMAA: Tätä tuotetta on käytettävä sisätiloissa. Sitä ei ole suunniteltu käytettäväksi ulkona, ajoneuvoissa tai veneissä, eikä ulkona käyttämistä ole testattu.

Tärkeitä turvallisuusohjeita

1. Lue nämä ohjeet.
2. Säilytä nämä ohjeet.
3. Ota kaikki varoitukset huomioon.
4. Noudata kaikkia ohjeita.
5. Älä käytä tätä laitetta veden lähetyksillä.
6. Asenna laite valmistajan ohjeiden mukaisesti.
7. Älä sijoita laitetta minkään lämmönlähteen, kuten lämpöpattereiden, lämpövaraajien, uunien tai muiden lämpöä tuottavien laitteiden (vahvistimet mukaan lukien) lähelle.
8. Käytä ainoastaan valmistajan määrittämiä lisävarusteita.

Myrkyllisten tai vaarallisten aineiden tai alkuaineiden nimet ja sisältö						
Osan nimi	Myrkylliset tai vaaralliset aineiden tai alkuaineet					
	Lyijy (Pb)	Elohopea (Hg)	Kadmium (Cd)	Kuusiarvoinen (CR(VI))	Polybromoitu bifenyylidi (PBB)	Polybromoitu difenyyleetteri (PBDE)
PCB-yhdisteet	X	O	O	O	O	O
Metalliosat	X	O	O	O	O	O
Muoviosat	O	O	O	O	O	O
Kaiuttimet	X	O	O	O	O	O
Johdot	X	O	O	O	O	O

Tämä taulukko on laadittu SJ/T 11364 -määräysten mukaisesti.
O: Ilmaisee, että tätä myrkyllistä tai vaarallista ainetta on kaikissa tästä materiaalista valmistetuissa osissa alle GB/T 26572 -raja-arvon.
X: Ilmaisee, että tätä myrkyllistä tai vaarallista ainetta on kaikissa tästä materiaalista valmistetuissa osissa yli GB/T 26572 -raja-arvon.



Tämä symboli merkitsee, että tuotetta ei saa hävittää kotitalousjätteen mukana, vaan se on toimitettava kierrätykseen. Kierrättäminen auttaa estämään vahingollisia seurauksia ympäristölle, luonnolle ja ihmisten terveydelle. Saat lisätietoja kierrättämisestä paikallisilta viranomaisilta, kotitalousjätteen kierrätyspalvelusta tai liikkeestä, josta tuote ostettiin.



Bose Corporation vakuuttaa täten, että tämä tuote täyttää direktiivin 1999/5/CE (R&TTE-direktiivi) sekä muiden sovellettavien EU-direktiivien vaatimukset. Täydellinen vaatimustenmukaisuusvakuutus on osoitteessa www.Bose.com/compliance

Maahantuoja Kiinassa: Bose Electronics (Shanghai) Company Limited, Part C, Plan 9, No. 353 North Riyang Road, China (Shanghai) Pilot Free Trade Zone

Maahantuoja EU:ssa: Bose Products B.V., Gorslaan 60, 1441 RG Purmerend, The Netherlands

Maahantuoja Taiwanissa: Bose Taiwan Branch, Room 905, 9F, Worldwide House, 131 Min Sheng East Rd, Section 3, Taipei, Taiwan, 105

Säilytä tiedot.

Mallinnumero: _____

Sarjanumero: _____

Ostopäivä: _____

On suositeltavaa säilyttää ostokuitti tämän käyttöohjeen välissä.

Valmistuspäivä:

Sarjanumeron ensimmäinen lihavoitu numero on valmistusvuosi, 5 merkitsee vuotta 2005 tai 2015.

Johdanto

Tietoja katonsisäisistä <i>Virtually Invisible</i> ® 791 series II- tai 591-kaiuttimista	4
Purkaminen pakkauksesta	4
Suositellut työkalut	4
Kaiutinjohtojen vaatimukset	4
Paikan valitseminen	4
Sijoittaminen keskeneräiseen rakenteeseen.....	4

Kaiuttimien asentaminen

Aukon sahaaminen kaiutinta varten	5
Kaiutinjohdon liittäminen	5
Kaiuttimen asentaminen.....	6
Säleikön kiinnittäminen.....	6

Hoito ja kunnossapito

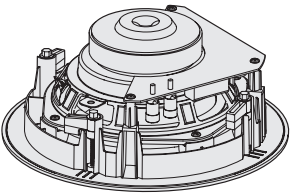
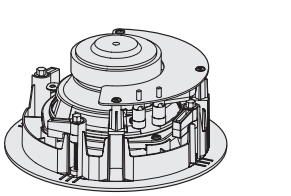
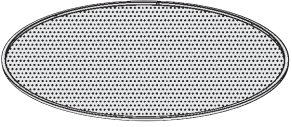
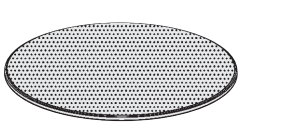

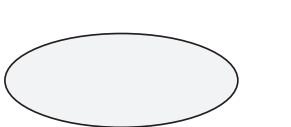
Ongelmanratkaisu	7
Tarvikkeet.....	7
Asiakaspalvelu	7
Rajoitettu takuu.....	7
Tekniset tiedot.....	7

Tietoja katonsisäisistä *Virtually Invisible*® 791 series II- tai 591-kaiuttimista

Katon sisään asennettavat Bose® *Virtually Invisible*® 791 series II- tai 591-kaiuttimet tuottavat erinomaisen stereokuuntelu- ja kotiteatterikokemuksen.

Purkaminen pakkauksesta

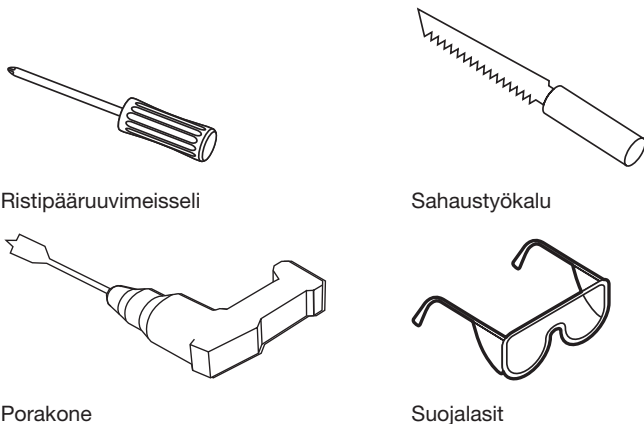
Avaa pakkaus varovasti. Tarkista, että pakkaus sisältää seuraavat osat:

<i>Virtually Invisible</i> ® 791 series II -kaiuttimet	<i>Virtually Invisible</i> ® 591 -kaiuttimet
	
Kaksi kaiutinta	Kaksi kaiutinta
	
Kaksi kaiutinsäleikköä	Kaksi kaiutinsäleikköä
	
Malli	Malli

Huomautus: Jos jokin järjestelmän osa on vaurioitunut, älä käytä sitä. Ota yhteys valtuutettuun Bose®-jälleenmyyjään tai Bosen asiakaspalveluun. Yhteystiedot ovat pakkauksessa.

Suosittelut työkalut

Asennuksessa saatetaan tarvita seuraavia työkaluja:



Ristipääruuvimeisseli

Sahaustyökalu

Porakone

Suojalasit

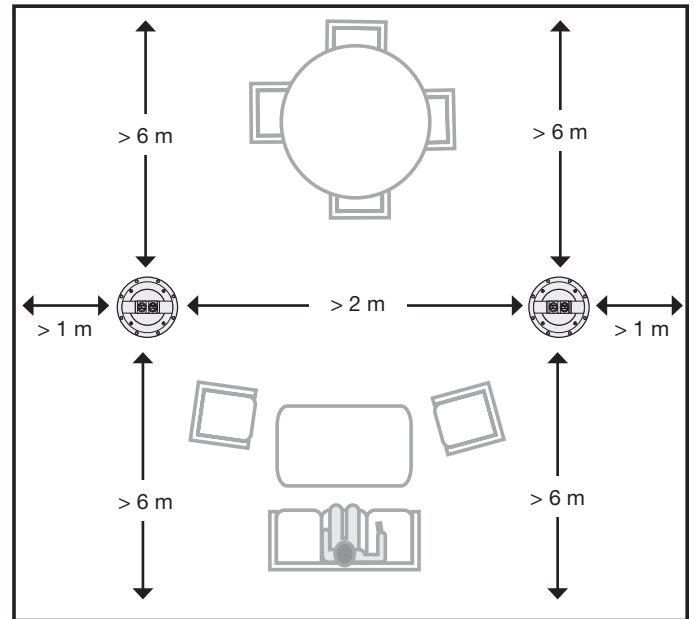
Kaiutinjohtojen vaatimukset

Läpimitta	Enimmäispituus
18 AWG (0,82 mm ²)	6 m
16 AWG (1,3 mm ²)	9 m
14 AWG (2,1 mm ²)	15 m
12 AWG (3,3 mm ²)	27 m

- Jätä riittävästi johtoa vapaaksi katosta, jotta voit liittää johdot kaiuttimiin ennen asennusta.
- Kuori 13 mm eristettä molempien johtojen molemmista päistä.
- Perehdy paikallisiin rakennusmääräyksiin ja käytä vain katonsisäisessä asennuksessa vaadittavaa johtotyyppiä.
- Ohjeita kaiutinjohtojen asentamiseen saat sähköalan ammattilaiselta tai AV-asentajalta.

Paikan valitseminen

Optimaalisen stereolaadun takaamiseksi kaiuttimet kannattaa sijoittaa seuraavaa kaaviota vastaavasti noudattaen vähimmäisetäisyyksiä:



Huomautuksia:

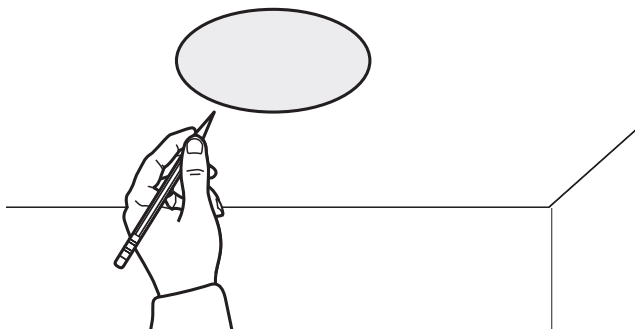
- Varmista rakenneilmäsimen avulla, että kaiutinaukko on vähintään 12 cm:n etäisyydellä koolauksesta.
- Asenna nämä kaiuttimet vain puiseen tai vastaavasta materiaalista valmistettuun kehykseen. Bose suosittelee, että nämä kaiuttimet asennetaan vain puukehykseen tai vastaavaan rakenteeseen, jonka koolausväli on asianmukainen (esim. 2 x 6 -rakenne).

Sijoittaminen keskeneräiseen rakenteeseen

Jos suunnittelet asennusta keskeneräiseen rakenteeseen, hanki Bose Rough-in Kit -sarja. Katso "Tarvikkeet" sivulla 7.

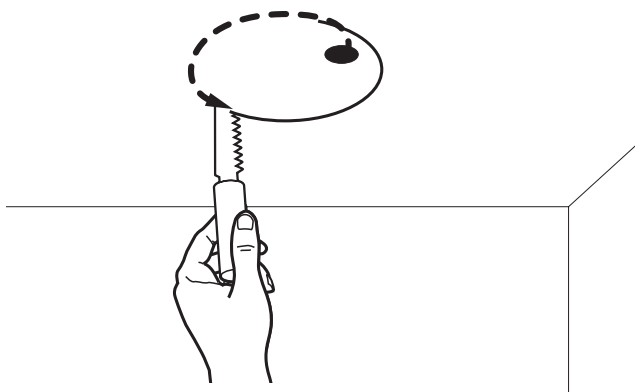
Aukon sahaaminen kaiutinta varten

1. Jäljennä malli kaiuttimen paikalle.



VAARA: Älä sahaa pintoja, joiden takana voi olla sähkö- tai vesijohtoja tai muita rakenteita, jotka eivät saa vaurioitua. Jos olet epävarma asennustaidoistasi, ota yhteys ammattiasentajaan.

2. Poraamalla alueelle sahaustyökalulle sopiva aukko.
3. Sahaa piirtämäsi viivaa pitkin.

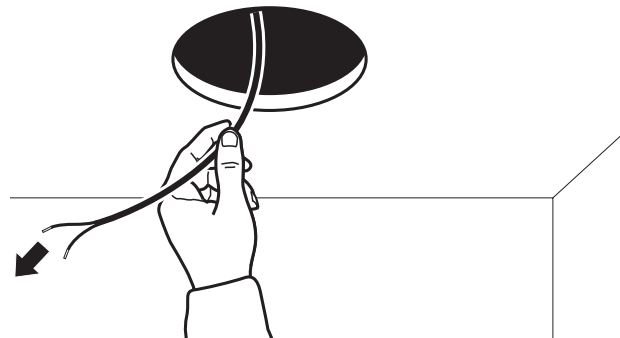


4. Irrota sahattu osa.
5. Puhdista repeytymät aukon ympäriltä.

Kaiutinjohton liittäminen

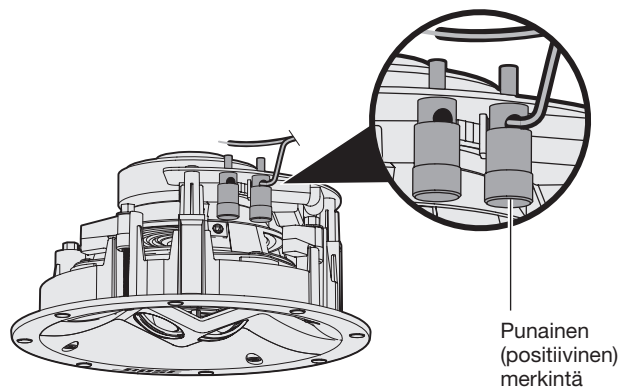
1. Vedä ulos vähintään 36 cm kaiutinjohtoa.

Johdon tulee ulottua reilusti seisomapaikasta kaiuttimen liittämiskohtaan.



2. Liitä positiivinen johdin kaiuttimen punaisella merkittyyn liittämään.

Huomautus: Liitäntän merkintä on sen yläosassa.



Virtually Invisible® 591 -kaiutin

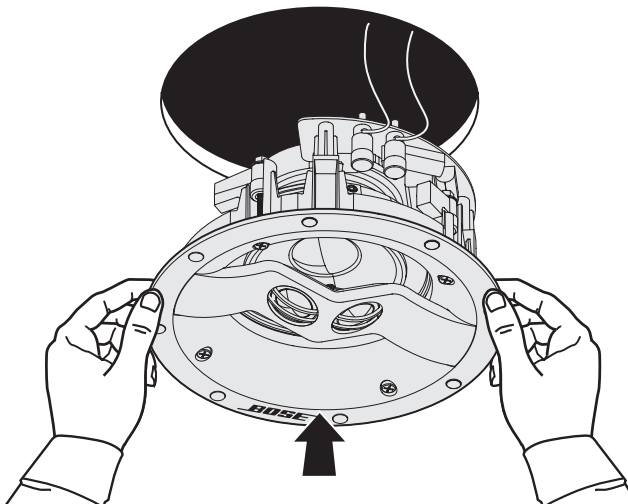
3. Liitä negatiivinen johdin kaiuttimen mustalla merkittyyn liittämään.

Kaiuttimien asentaminen

Kaiuttimen asentaminen

1. Työnnä kaiutin aukosta pitellemällä sitä ulkoreunoista.

Huomautus: Älä paina kaiuttimen etuosan kahta pientä ohjainta. Kaiutin voi vaurioitua.

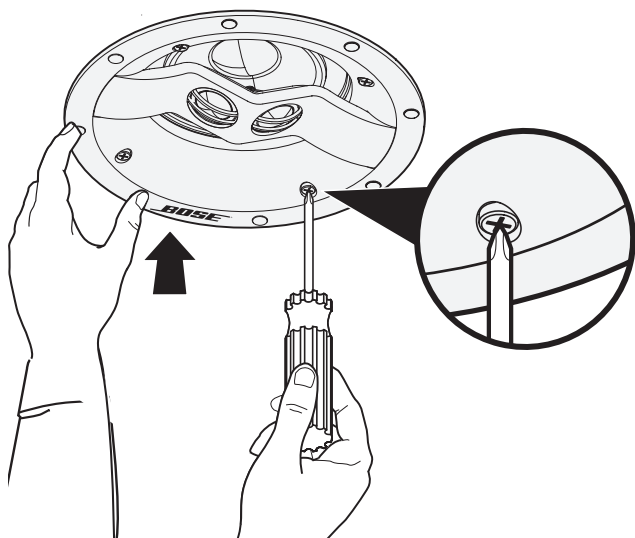


Virtually Invisible® 591 -kaiutin

VAROITUS: Tietyt eristeet, kuten sanomalehdet, selluloosa ja oljet, voivat syttyä tuleen. Pidä eristeet loitolla kaiuttimista.

2. Kiristä kaikki pidätinruuvit ristipääruuvimeisselillä.

Huomautus: Jos käytät poraa, valitse pienin vääntömomentti.

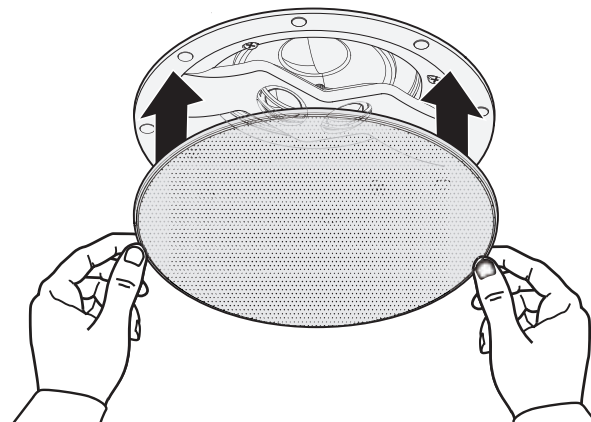


Virtually Invisible® 591 -kaiutin

Säleikön kiinnittäminen

Säleikkö kiinnitetään kaiuttimen reunaan magneeteilla.

Aseta säleikkö kaiuttimeen.



Virtually Invisible® 591 -kaiutin

Säleikön maalaaminen

Kaiutinsäleiköt voi maalata ennen niiden kiinnittämistä kaiuttimiin. Bose® ei vastaa muiden kuin tehtaalla levitettyjen maalien pysyvyydestä tai laadusta.

- Lateksi- tai öljypohjainen sisustusmaali on ohennettava ruiskumaalauksia varten. Lisätietoja on maaliruiskun käyttöohjeessa.
- Ole varovainen, jos poistat maalin aiheuttamaa tukosta lävistämällä säleikön terävällä esineellä, sillä säleikkö voi vaurioitua.

Ongelmanratkaisu

Ongelma	Toimintaohjeet
Kaiuttimista ei kuulu ääntä.	<ul style="list-style-type: none"> Varmista, että kaiutinjohdot eivät ole irronneet kaiuttimista tai vastaanottimesta/vahvistimesta. Tarkista vastaanottimen tai vahvistimen asetukset. Asetusohjeet ovat vastaanottimen tai vahvistimen käyttöoppaassa. Jos vastaanottimen tai vahvistimen toiseen äänen lähtöliitäntään on yhdistetty toiset stereokaiuttimet, varmista, että oikea A- tai B-asetus on käytössä. Sen tulee vastata sitä A- tai B-liitäntää, johon kaiuttimet on yhdistetty.
Ääni kuuluu vain toisesta kaiuttimesta.	<ul style="list-style-type: none"> Aseta vastaanottimen tai vahvistimen tasapainoasetus keskitetyksi. Varmista, että vastaanottimen tai vahvistimen positiivisen ja negatiivisen liitännän johtimet eivät kosketa toisiaan. Irrota kaiutinjohto vastaanottimen tai vahvistimen kanavaliitännästä ja kiinnitä se toiseen kanavaliitäntään. Varmista, että positiivisen ja negatiivisen liitännän johtimet eivät kosketa toisiaan kohdassa, jossa kaiutinjohto yhdistyy kaiuttimeen. Irrota kaiutinjohto kaiuttimesta ja liitä se toiseen kaiuttimeen. Jos tämä toinen kaiutin toimii, kaiutin vaatii huoltoa. Yhteystiedot ovat pakkauksessa. Jos ongelma ei ratkea noudattamalla näitä ohjeita, asenna kaiutinjohto uudelleen.
Basso tai diskantti kuuluu vaimeasti.	<ul style="list-style-type: none"> Säädä vastaanottimen tai vahvistimen äänen tasapainoasetusta. Varmista, että kaiutinkehyksen ja seinäpinnan väliin ei jää rakoja. Vaihda vastaanottimen tai vahvistimen positiiviseen ja negatiiviseen liitäntään kytketyt johdot päittäin. Irrota kaiutinjohto vastaanottimen tai vahvistimen kanavaliitännästä ja kiinnitä se toiseen kanavaliitäntään.
Kaiuttimesta kuuluu suhinaa/kohinaa.	<ul style="list-style-type: none"> Varmista, että johdot ovat hyvässä kunnossa, ne on liitetty tukevasti kaiuttimeen ja vastaanottimeen tai vahvistimeen ja että ne eivät kosketa toisiaan liitäntöjen kautta. Liitä musiikkilähde kunnolla vastaanottimeen tai vahvistimeen. Katso ”Ääni kuuluu vain toisesta kaiuttimesta.”.

Tarvikkeet

Voit asentaa kaiuttimet rakennusvaiheessa käyttämällä ®Rough-in Kit -sarjaa.

Sarja sisältää osat kahta kaiutinta varten. Se asennetaan, kun koolaus on paikallaan mutta levyjä ei ole vielä asennettu. Asennettu sarja varaa paikat kaiuttimille ja auttaa tekemään levyihin reiät niitä varten.

Bosen asiakaspalvelu auttaa kysymyksissä ja tarviketilauksissa. Yhteystiedot ovat pakkauksessa.

Asiakaspalvelu

Lisätietoja järjestelmän käyttämisestä:

- Käy osoitteessa owners.Bose.com.
- Ota yhteys Bosen asiakaspalveluun. Yhteystiedot ovat pakkauksessa.

Rajoitettu takuu

Järjestelmällä on rajoitettu takuu. Rajoitetun takuun lisätiedot ovat järjestelmän mukana toimitetussa rekisteröintikortissa. Kortissa kerrotaan takuun rekisteröimisestä. Rekisteröinnin laiminlyöminen ei vaikuta rajoitettuun takuuseen.

Tämän tuotteen mukana toimitetut takuutiedot eivät ole voimassa Australiassa eivätkä Uudessa-Seelannissa. Osoitteessa www.Bose.com.au/warranty ja www.Bose.co.nz/warranty kerrotaan Australiassa ja Uudessa-Seelannissa voimassa olevasta takuusta.

Tekniset tiedot

Yhteensopivuus

Yhteensopiva seuraavien vahvistimien ja vastaanottimien kanssa: 10–100 W kanavaa kohti / 4–8 ohmia

Virtually Invisible® 791 series II: Jatkuva 50 W:n IEC teho, 6 ohmia

Virtually Invisible® 591: Jatkuva 50 W:n IEC teho, 8 ohmia

***Virtually Invisible*® 791 series II -ohjaimen täydennys:**

Kaksi 1 tuuman (25,4 mm) diskanttikaiutinta

Yksi 7 tuuman (178 mm) pitkäskuinen bassokaiutin

***Virtually Invisible*® 591 -ohjaimen täydennys:**

Kaksi ¾ tuuman (19 mm) diskanttikaiutinta

Yksi 5 tuuman (127 mm) pitkäskuinen bassokaiutin

***Virtually Invisible*® 791 series II -kaiuttimen mitat**

Halkaisija: 214 mm

Syvyys katossa: 105,2 mm

Säleikön halkaisija: 254 mm

Kattoaukon halkaisija: 219 mm

***Virtually Invisible*® 591 -kaiuttimen mitat:**

Halkaisija: 166 mm

Syvyys katossa: 96,7 mm

Säleikön halkaisija: 206 mm

Tarvittavan kattoaukon halkaisija: 170 mm

Paino

Virtually Invisible® 791 series II: 2,18 kg / kaiutin

Virtually Invisible® 591: 1,45 kg / kaiutin

Instructions importantes relatives à la sécurité

Consultez attentivement cette notice d'utilisation et conservez-la pour toute référence future.



AVERTISSEMENTS :

- Ne placez jamais d'objets enflammés, tels que des bougies allumées, sur l'appareil.
- Tous les produits Bose® doivent être utilisés en respectant les réglementations locales et nationales. L'installateur est responsable du respect des codes et règlements locaux et nationaux en vigueur applicables lors de l'installation et du montage des enceintes.
- Tout montage non sécurisé d'une lourde charge peut provoquer des dégâts matériels et des blessures graves. Il en va de la responsabilité de l'installateur d'évaluer la fiabilité de la méthode de montage utilisée, en fonction de l'application.



ATTENTION :

- Ces enceintes ne sont ni conçues ni recommandées pour une installation encastrée dans un mur en maçonnerie ou un plafond suspendu.
- Ce produit n'est pas destiné à être utilisé dans les espaces de ventilation.
- Consultez les marquages de sécurité sous le boîtier du produit.
- N'apportez aucune modification aux enceintes ou aux accessoires. Toute modification non autorisée peut compromettre votre sécurité, le respect des réglementations et les performances.
- Veillez à éloigner les enceintes de toute isolation conformément aux instructions d'installation de ce guide.



AVERTISSEMENT : certaines pièces présentent un risque de suffocation. Ne les laissez pas à la portée des enfants de moins de 3 ans.



AVERTISSEMENT : ce produit contient des composants magnétiques. Contactez votre médecin pour toute question relative à l'effet de ces composants sur le fonctionnement d'un appareil médical implanté.

REMARQUES : Ce produit doit être utilisé à l'intérieur. Il n'a pas été conçu ni testé pour une utilisation en extérieur, dans des véhicules ou sur des bateaux.

Instructions importantes relatives à la sécurité

1. Lisez attentivement ces instructions.
2. Conservez ces instructions.
3. Respectez tous les avertissements.
4. Suivez toutes les instructions.
5. N'utilisez pas cet appareil à proximité d'eau ou d'une source d'humidité.
6. Suivez les instructions du fabricant pour l'installation.
7. N'installez pas cet appareil à proximité d'une source de chaleur, telle qu'un radiateur, une arrivée d'air chaud, un four ou tout autre appareil (notamment des amplificateurs) produisant de la chaleur.
8. Utilisez uniquement les accessoires spécifiés par le fabricant.

Noms et contenu des substances ou éléments toxiques ou dangereux						
Nom	Substances ou éléments toxiques ou dangereux					
	Plomb (Pb)	Mercure (Hg)	Cadmium (Cd)	Chrome hexavalent (CR(VI))	Biphényle polybromé (PBB)	Éther de diphényle polybromé (PBDE)
Polychlorobiphényles	X	O	O	O	O	O
Pièces métalliques	X	O	O	O	O	O
Pièces en plastique	O	O	O	O	O	O
Enceintes	X	O	O	O	O	O
Câbles	X	O	O	O	O	O

Les données de ce tableau sont conformes aux dispositions de la norme SJ/T 11364.
O : indique que la quantité de cette substance toxique ou dangereuse contenue dans tous les composants homogènes de cette pièce est inférieure à la limite définie dans GB/T 26572.
X : indique que la quantité de cette substance toxique ou dangereuse contenue dans au moins un des composants homogènes de cette pièce est supérieure à la limite définie dans GB/T 26572



Ce symbole signifie que le produit ne doit pas être jeté avec les déchets ménagers, mais doit être déposé dans un centre de collecte approprié pour recyclage. Une mise au rebut et un recyclage adéquats permettent de protéger les ressources naturelles, la santé humaine et l'environnement. Pour plus d'informations sur l'élimination et le recyclage de ce produit, contactez votre mairie, votre service de ramassage des ordures ou le magasin où vous avez acheté ce produit.



Bose Corporation déclare que ce produit est conforme aux critères essentiels et autres dispositions de la Directive 1999/5/CE et des autres directives européennes applicables. L'attestation complète de conformité est disponible à l'adresse www.Bose.com/compliance

Importateur pour la Chine : Bose Electronics (Shanghai) Company Limited, Part C, Plan 9, No. 353 North Riyang Road, Chine (Shanghai) Pilot Free Trade Zone

Importateur pour l'UE : Bose Products B.V., Gorslaan 60, 1441 RG Purmerend, Pays-Bas

Importateur pour Taïwan : Bose Taiwan Branch, Room 905, 9F, Worldwide House, 131 Min Sheng East Rd, Section 3, Taipei, Taïwan, 105

Renseignements à noter et conserver :

Modèle : _____

Numéro de série : _____

Date d'achat : _____

Nous vous conseillons de conserver votre reçu avec cette notice d'utilisation.

Date de fabrication :

Le premier chiffre en caractères gras dans le numéro de série indique l'année de fabrication ; « 5 » correspond à 2005 ou à 2015.

VIRTUALLY INVISIBLE est une marque déposée de Bose Corporation aux États-Unis et dans d'autres pays.

© 2017 Bose Corporation. Toute reproduction, modification, distribution ou autre utilisation, même partielle, de ce document est interdite sans autorisation écrite préalable.

Introduction

À propos de vos enceintes encastrables au plafond <i>Virtually Invisible</i> ® 791 séries II ou 591	4
Déballage	4
Outils recommandés	4
Configuration requise pour les câbles d'enceinte	4
Conseils de positionnement.....	4
Positionnement dans une construction non finie	4

Installation des enceintes

Perçage de l'ouverture destinée à l'enceinte.....	5
Raccordement du câble d'enceinte	5
Installation de l'enceinte.....	6
Pose de la grille	6

Entretien

Résolution des problèmes	7
Accessoires	7
Service client.....	7
Garantie limitée	7
Caractéristiques techniques	7

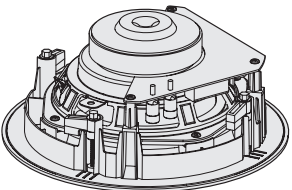
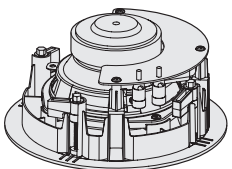
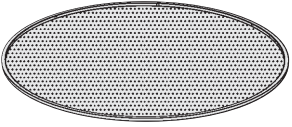
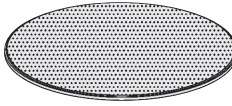
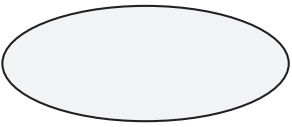
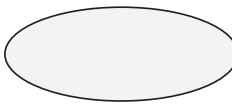
Introduction

À propos de vos enceintes encastrables au plafond *Virtually Invisible*® 791 séries II ou 591

Les enceintes encastrables au plafond Bose® *Virtually Invisible*® 791 séries II ou 591 offrent des performances remarquables en configuration stéréo ou home cinéma.

Déballage

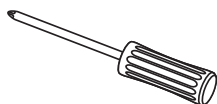
Déballer les éléments avec précaution et vérifiez la présence de tous les composants décrits ci-dessous :

Enceintes <i>Virtually Invisible</i> ® 791 série II	Enceintes <i>Virtually Invisible</i> ® 591
 Deux enceintes	 Deux enceintes
 Deux grilles d'enceinte	 Deux grilles d'enceinte
 Gabarit	 Gabarit

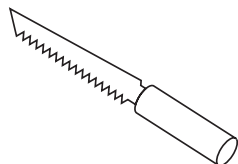
Remarque : si l'un des composants semble endommagé, n'essayez pas de l'utiliser. Contactez immédiatement votre revendeur Bose® agréé ou le service client de Bose. Consultez la liste d'adresses incluse dans le carton d'emballage.

Outils recommandés

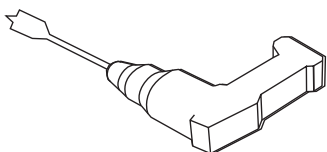
Vous pouvez avoir besoin des outils suivants durant l'installation :



Tournevis cruciforme



Outil de découpe



Perceuse



Lunettes de protection

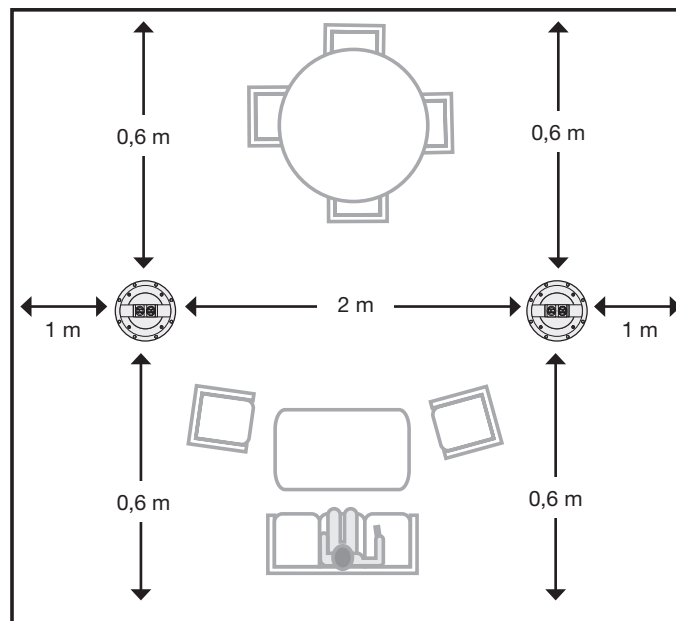
Configuration requise pour les câbles d'enceinte

Section	Longueur maximale
18 AWG (0,82 mm ²)	6 m
16 AWG (1,3 mm ²)	9 m
14 AWG (2,1 mm ²)	15 m
12 AWG (3,3 mm ²)	27 m

- Veillez à laisser une longueur de câble suffisante au plafond pour raccorder les enceintes avant l'installation.
- Dénudez la gaine à chaque extrémité des deux câbles sur environ 13 mm.
- Consultez les normes de construction applicables et utilisez uniquement le type de câble approprié à une installation au plafond.
- Pour plus d'informations sur l'installation des câbles d'enceinte, contactez un technicien ou un installateur audio/vidéo professionnel.

Conseils de positionnement

Pour garantir des performances stéréo optimales, positionnez les enceintes conformément à l'illustration ci-dessous en respectant les distances minimales suggérées :



Remarques :

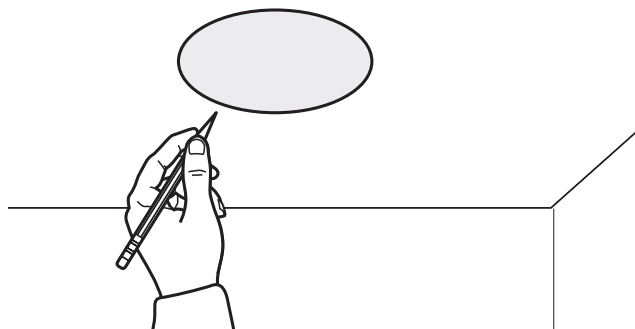
- Utilisez un détecteur de montants pour vous assurer que l'ouverture destinée à l'enceinte est située à au moins 12 cm d'une solive.
- Ces enceintes ne doivent être montées que dans une structure en bois ou en matériau similaire. Bose conseille d'installer ces enceintes uniquement dans une structure en bois ou un matériau similaire, avec un espacement suffisant entre les montants, comme dans les structures 2 x 6.

Positionnement dans une construction non finie

Si vous envisagez d'installer les enceintes dans une construction non finie, procurez-vous le kit Bose Rough-in Kit. Voir « Accessoires », page 7.

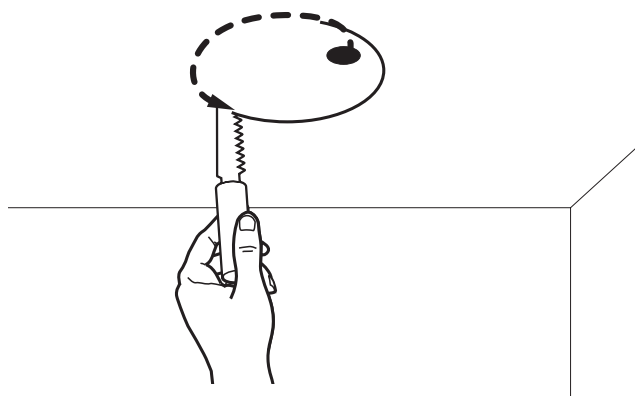
Perçage de l'ouverture destinée à l'enceinte

1. Tracez l'emplacement d'installation de l'enceinte.



AVERTISSEMENT : veillez à ne pas pratiquer de trou dans des surfaces susceptibles de présenter des risques cachés, tels que des câbles électriques, des gaines ou des tuyaux. Si vous n'êtes pas certain de pouvoir installer vous-même cette enceinte, contactez un installateur professionnel.

2. Pratiquez un trou suffisamment large pour votre outil de découpe.
3. Pour cela, suivez la ligne que vous avez tracée.

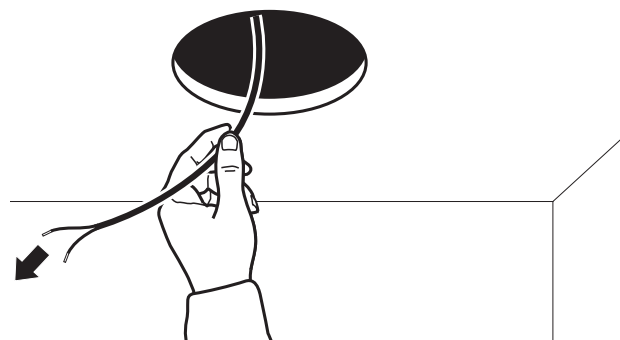


4. Retirez la section découpée.
5. Dégagez les débris de coupe du pourtour du trou.

Raccordement du câble d'enceinte

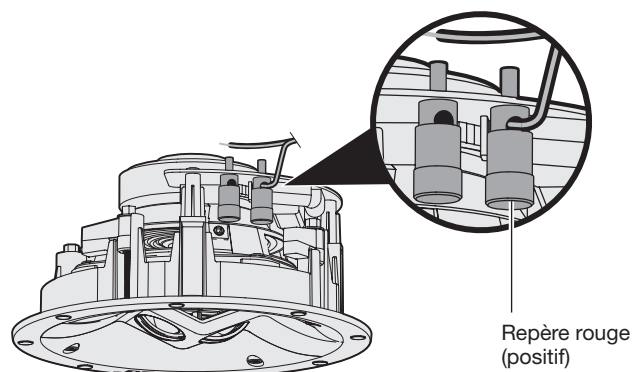
1. Tirez le câble d'enceinte sur une longueur d'au moins 36 cm.

Veillez à laisser une longueur de câble suffisante pour raccorder l'enceinte d'où vous vous trouvez.



2. Raccordez le câble positif à la borne rouge sur l'enceinte.

Remarque : la couleur est indiquée au-dessus de la borne.



Enceinte *Virtually Invisible*® 591

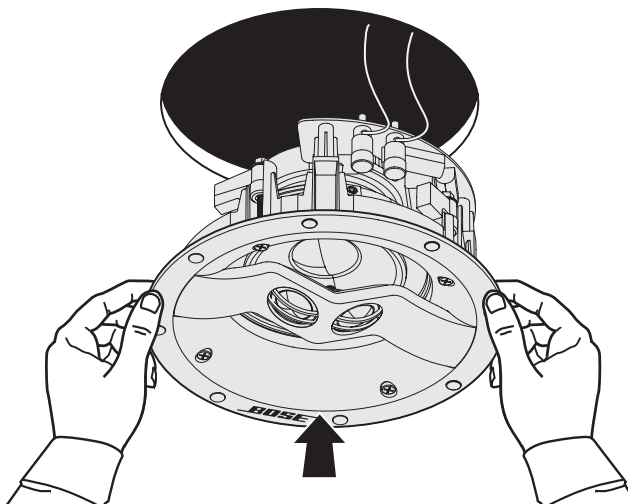
3. Raccordez le câble négatif à la borne noire sur l'enceinte.

Installation des enceintes

Installation de l'enceinte

1. Insérez l'enceinte dans le trou en la tenant par les bords extérieurs.

Remarque : veillez à ne pas appuyer sur les deux petits guides situés à l'avant, car vous risqueriez d'endommager l'enceinte.

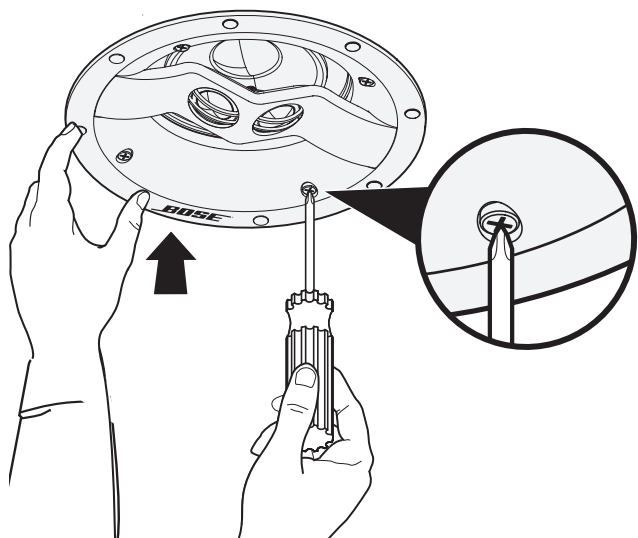


Enceinte *Virtually Invisible*® 591

ATTENTION : certains isolants (sisal, papier, cellulose et tous les matériaux à insuffler) peuvent constituer un risque d'incendie. Éloignez tous les isolants des enceintes.

2. Serrez les vis avec un tournevis cruciforme.

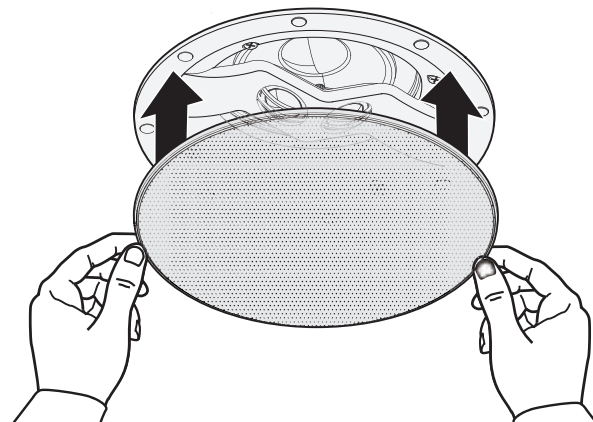
Remarque : si vous utilisez une perceuse électrique, choisissez le couple de serrage minimal.



Enceinte *Virtually Invisible*® 591

Pose de la grille

La grille est fixée sur le bord de l'enceinte par aimantation. Placez la grille sur l'enceinte.



Enceinte *Virtually Invisible*® 591

Peinture de la grille

Vous pouvez peindre les grilles d'enceinte avant de les fixer. Bose® n'est pas responsable de la qualité de l'adhérence ou de la finition des peintures non appliquées en usine.

- La peinture pour bâtiment (à base de latex ou d'huile) doit être légèrement diluée pour être utilisée au pistolet. Consultez le mode d'emploi de votre pistolet à peinture.
- Soyez vigilant lorsque vous utilisez des objets pointus pour retirer un surplus de peinture dans les perforations de la grille, car vous risqueriez d'endommager la grille.

Résolution des problèmes

Problème	Mesure corrective
Aucun son ne provient des enceintes	<ul style="list-style-type: none"> • Vérifiez que les câbles d'enceinte ne se sont pas déconnectés des enceintes ou du récepteur/amplificateur. • Vérifiez les réglages de votre ampli-tuner/amplificateur. Reportez-vous à la notice d'utilisation du récepteur/de l'amplificateur pour plus d'informations sur les réglages. • Si d'autres enceintes stéréo sont raccordées à d'autres sorties audio du récepteur/amplificateur, n'oubliez pas de sélectionner le commutateur d'enceintes A ou B approprié, en fonction des sorties A ou B connectées à vos enceintes.
Le son provient uniquement d'une enceinte	<ul style="list-style-type: none"> • Réglez la commande de balance au centre sur l'amplificateur/ampli-tuner. • Vérifiez que les fils des bornes positives et négatives du récepteur/amplificateur ne se touchent pas. • Débranchez le câble d'enceinte du canal du récepteur/amplificateur, puis rebranchez-le sur un autre canal. • Vérifiez qu'aucun câble des bornes positives et négatives ne se touche à l'emplacement qui relie le câble d'enceinte à l'enceinte. • Débranchez le câble d'enceinte de l'enceinte, puis reconnectez-le à une autre enceinte. Si l'enceinte fonctionne, vous devez faire réparer votre enceinte. Consultez la liste d'adresses incluse dans le carton d'emballage. • Remplacez et réinstallez le câble d'enceinte si le problème n'est toujours pas résolu.
Les graves ou les aigus sont faibles	<ul style="list-style-type: none"> • Vérifiez le réglage des graves/aigus sur le récepteur/l'amplificateur. • Vérifiez qu'il n'existe aucun interstice entre le cadre de l'enceinte et la surface murale. • Commutez les câbles raccordés aux bornes positives et négatives sur le récepteur/l'amplificateur. • Débranchez le câble d'enceinte du canal du récepteur/amplificateur, puis rebranchez-le sur un autre canal.
Bruit statique provenant de l'enceinte	<ul style="list-style-type: none"> • Vérifiez que les câbles sont en bon état, sont correctement raccordés à l'enceinte et au récepteur/à l'amplificateur, et ne se touchent pas au niveau des bornes. • Raccordez correctement la source musicale au récepteur/à l'amplificateur. • Voir « Le son provient uniquement d'une enceinte ».

Accessoires

Pour une installation dans une construction non finie, Bose® propose le kit de montage Rough-in Kit.

Ce kit, qui contient les pièces nécessaires au montage de deux enceintes, est destiné à être installé après la pose des solives et avant celle des panneaux de plâtre. Lorsqu'il est installé, ce kit réserve l'emplacement de chaque enceinte et indique où percer le trou pour celle-ci dans le panneau mural.

Pour plus d'informations ou pour commander des accessoires, contactez le service client de Bose. Consultez la liste d'adresses incluse dans le carton d'emballage.

Service client

Pour obtenir de l'aide supplémentaire sur l'utilisation du système :

- Rendez-vous sur le site owners.Bose.com.
- Contactez le service client de Bose. Consultez la liste d'adresses incluse dans le carton d'emballage.

Garantie limitée

Votre système d'enceintes est couvert par une garantie limitée. Les conditions détaillées de la garantie limitée sont notées sur la carte d'enregistrement qui accompagne votre système. Consultez la carte pour toutes instructions sur l'enregistrement. En cas d'oubli, les droits que vous confère cette garantie limitée ne s'en trouveront pas affectés.

Les informations de garantie qui accompagnent ce produit ne s'appliquent ni en Australie ni en Nouvelle-Zélande. Consultez notre site Web www.bose.com.au/warranty ou www.bose.co.nz/warranty pour plus d'informations sur les conditions de garantie en Australie et Nouvelle-Zélande.

Caractéristiques techniques

Compatibilité

Compatible avec des amplificateurs ou des récepteurs avec une tension nominale de 10-100 W par canal/4 à 8 ohms
 Enceintes *Virtually Invisible*® 791 série II : Puissance admissible de 50W IEC en continu sous 6 Ohms
 Enceintes *Virtually Invisible*® 591 : Puissance admissible de 50W IEC en continu sous 8 Ohms

Haut-parleurs *Virtually Invisible*® 791 série II :

Deux haut-parleurs d'aigus en dôme de 25,4 mm configurés en groupe

Un haut-parleur de graves à haut rendement de 178 mm

Haut-parleurs *Virtually Invisible*® 591 :

Deux haut-parleurs d'aigus en dôme de 19 cm configurés en groupe

Un haut-parleur de graves à haut rendement de 127 mm

Dimensions des enceintes *Virtually Invisible*® 791 série II :

Diamètre : 214 mm

Profondeur dans le plafond : 105,2 mm

Diamètre de la grille : 254 mm

Diamètre de l'ouverture de plafond : 219 mm

Dimensions des enceintes *Virtually Invisible*® 591 :

Diamètre : 166 mm

Profondeur dans le plafond : 96,7 mm

Diamètre de la grille : 206 mm

Diamètre requis de l'ouverture de plafond : diamètre de 170 mm

Poids

Enceintes *Virtually Invisible*® 791 série II : 2,18 kg chacune

Enceintes *Virtually Invisible*® 591 : 1,45 kg chacune

Importanti istruzioni di sicurezza

Leggere questo manuale d'uso e conservarlo come riferimento per il futuro.



AVVERTENZE:

- Non collocare sorgenti di fiamme libere (ad esempio candele accese) sull'apparecchio o nelle sue vicinanze.
- Tutti i prodotti Bose® devono essere utilizzati in conformità con gli standard locali, statali, federali e di settore. È responsabilità dell'installatore assicurare che l'installazione dei diffusori e del sistema di montaggio venga eseguita in conformità con le normative vigenti, compresi i regolamenti edilizi locali.
- L'installazione o la sospensione non sicura di carichi pesanti può causare gravi lesioni alle persone e danni alle cose. È responsabilità dell'installatore valutare l'affidabilità del metodo di montaggio utilizzato per l'applicazione specifica.



ATTENZIONE:

- Questi diffusori non sono progettati né consigliati per l'installazione all'interno di pareti, soffitti in muratura o controsoffitti.
- Questo prodotto non è destinato all'uso negli spazi tra soffitto e controsoffitto dei condotti per l'aria condizionata.
- Fare riferimento ai segnali relativi alla sicurezza collocati sugli involucri.
- Non apportare modifiche ai diffusori o agli accessori. Eventuali modifiche non autorizzate possono compromettere la sicurezza, la conformità alle norme e le prestazioni del sistema.
- Assicurarci di rimuovere tutto il materiale isolante dai diffusori in conformità con le istruzioni di installazione contenute in questo manuale.



AVVERTENZA: Contiene pezzi di piccole dimensioni che possono rappresentare un pericolo di soffocamento. Non adatto per bambini di età inferiore ai 3 anni.



AVVERTENZA: Questo prodotto contiene materiale magnetico. Rivolgersi al proprio medico per eventuali domande sui possibili effetti del prodotto sui dispositivi medici impiantati nel corpo umano.

NOTA: Questo prodotto è destinato all'utilizzo in ambienti interni. Non è stato progettato né collaudato per l'uso in ambienti esterni, camper o imbarcazioni.

Importanti istruzioni di sicurezza

1. Leggere queste istruzioni.
2. Conservare queste istruzioni.
3. Prestare attenzione a tutte le avvertenze.
4. Seguire tutte le istruzioni.
5. Non utilizzare l'apparecchio in prossimità di acqua.
6. Installare il prodotto in conformità con le istruzioni fornite dal produttore.
7. Non installare i diffusori in prossimità di fonti di calore, quali termosifoni, radiatori, stufe o altri apparati (compresi gli amplificatori) che generano calore.
8. Utilizzare solo sistemi di aggancio/accessori specificati dal produttore.

Nome e contenuto delle sostanze o degli elementi tossici o pericolosi						
Nome parte	Sostanze ed elementi tossici o pericolosi					
	Piombo (Pb)	Mercurio (Hg)	Cadmio (Cd)	Cromo esavalente (CR(VI))	Bifenile polibromurato (PBB)	Difenilitere polibromurato (PBDE)
Circuiti stampati	X	O	O	O	O	O
Parti di metallo	X	O	O	O	O	O
Parti di plastica	O	O	O	O	O	O
Diffusori	X	O	O	O	O	O
Cavi	X	O	O	O	O	O

Questa tabella è stata messa a punto in accordo a quanto previsto dallo standard SJ/T 11364.
O: indica che la quantità della sostanza tossica o pericolosa contenuta in tutti i materiali omogenei della parte è inferiore al limite previsto dallo standard GB/T 26572.
X: indica che la quantità della sostanza tossica o pericolosa contenuta in almeno uno dei materiali omogenei della parte è superiore al limite previsto dallo standard GB/T 26572



Questo simbolo indica che il prodotto non deve essere smaltito con i rifiuti domestici, ma deve essere consegnato a una struttura di raccolta appropriata per il riciclaggio. Uno smaltimento e un riciclaggio corretti aiutano a preservare le risorse naturali, la salute e l'ambiente. Per ulteriori informazioni sullo smaltimento e sul riciclaggio di questo prodotto, rivolgersi alle autorità locali, al servizio di smaltimento dei rifiuti o al negozio presso il quale è stato acquistato.



Bose Corporation dichiara che il presente prodotto è conforme ai requisiti essenziali e ad altre disposizioni applicabili della Direttiva 1999/5/CE e di tutte le altre direttive UE applicabili. La dichiarazione di conformità completa è disponibile all'indirizzo: www.Bose.com/compliance

Importatore per la Cina: Bose Electronics (Shanghai) Company Limited, Part C, Plan 9, No. 353 North Riyang Road, China (Shanghai) Pilot Free Trade Zone

Importatore per l'UE: Bose Products B.V., Gorslaan 60, 1441 RG Purmerend, Paesi Bassi

Importatore per Taiwan: Bose Taiwan Branch, Room 905, 9F, Worldwide House, 131 Min Sheng East Rd, Section 3, Taipei, Taiwan, 105

Compilare e conservare le seguenti informazioni:

Numero di modello: _____

Numero di serie: _____

Data d'acquisto: _____

È consigliabile conservare la ricevuta insieme a questo manuale di istruzioni.

Data di produzione:

La prima cifra in grassetto del numero di serie corrisponde all'anno di produzione; ad esempio, "5" indica 2005 o 2015.

VIRTUALLY INVISIBLE è un marchio registrato di Bose Corporation negli Stati Uniti e in altri paesi.

© 2017 Bose Corporation. Nessuna parte di questo documento può essere riprodotta, modificata, distribuita o usata in altro modo senza previa autorizzazione scritta.

Introduzione

Informazioni sui diffusori a soffitto <i>Virtually Invisible</i> ® 791 serie II o 591	4
Disimballaggio	4
Strumenti consigliati.....	4
Requisiti cavo adattatore.....	4
Indicazioni per la collocazione	4
Collocazione in una struttura non finita.....	4

Installazione dei diffusori

Taglio dell'apertura per il diffusore	5
Collegamento del cavo del diffusore	5
Installazione del diffusore	6
Installazione della griglia.....	6

Manutenzione

Risoluzione dei problemi.....	7
Accessori	7
Assistenza tecnica.....	7
Garanzia limitata	7
Dati tecnici	7

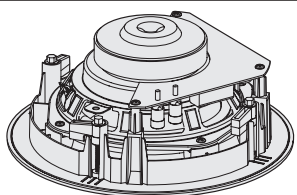
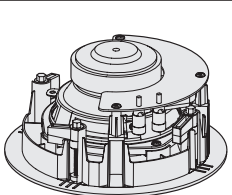
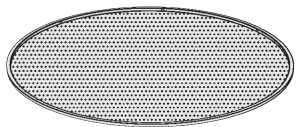
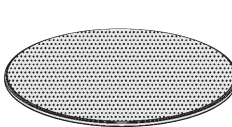

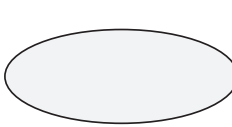
Introduzione

Informazioni sui diffusori a soffitto *Virtually Invisible*® 791 serie II o 591

I diffusori a soffitto Bose® *Virtually Invisible*® 791 serie II o 591 offrono prestazioni superiori per i sistemi di home cinema e di riproduzione musicale stereo.

Disimballaggio

Aprire con cautela la confezione e verificare che i seguenti componenti siano inclusi:

Diffusori <i>Virtually Invisible</i> ® 791 serie II	Diffusori <i>Virtually Invisible</i> ® 591
 Due diffusori	 Due diffusori
 Due griglie per diffusori	 Due griglie per diffusori
 Dima	 Dima

Nota: Se il sistema presenta parti danneggiate, non utilizzarlo. Contattare il rivenditore autorizzato Bose® locale o il centro di assistenza tecnica Bose. Consultare l'elenco dei contatti accluso alla confezione.

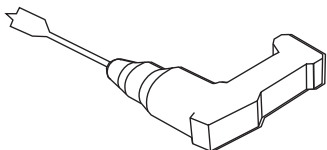
Strumenti consigliati

Per portare a termine l'installazione potrebbero essere necessari i seguenti strumenti:



Cacciavite con testa Phillips

Utensile da taglio



Trapano



Occhiali di protezione

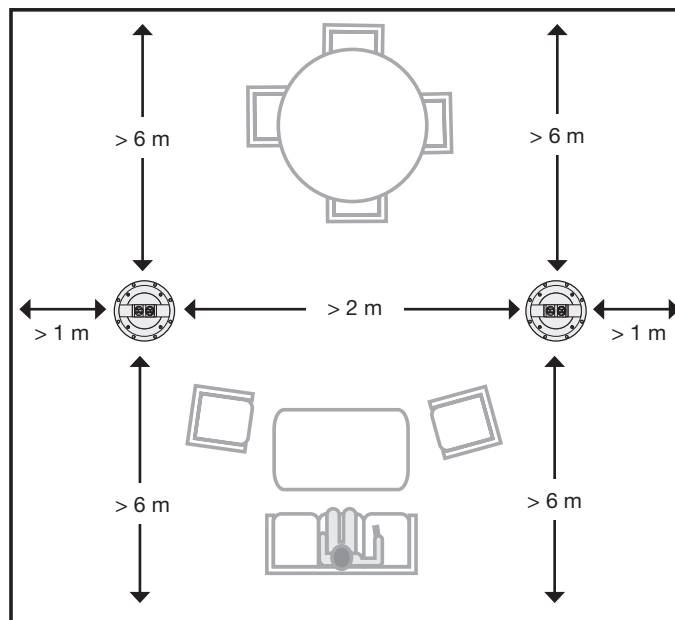
Requisiti cavo adattatore

Sezione	Lunghezza massima
18 AWG (0,82 mm ²)	6 m
16 AWG (1,3 mm ²)	9 m
14 AWG (2,1 mm ²)	15 m
12 AWG (3,3 mm ²)	27 m

- Lasciare scendere dal soffitto una lunghezza di cavo sufficiente per collegare i diffusori prima dell'installazione.
- Rimuovere circa 13 mm di guaina isolante da entrambi i cavi.
- Consultare le norme edilizie locali e utilizzare solo tipi di cavi idonei per l'installazione a soffitto.
- Per informazioni sull'installazione del cavo dei diffusori, rivolgersi a un elettricista professionista o a un installatore audio/video.

Indicazioni per la collocazione

Per prestazioni stereo ottimali, installare i diffusori come illustrato nel diagramma seguente, rispettando le distanze minime suggerite:



Nota:

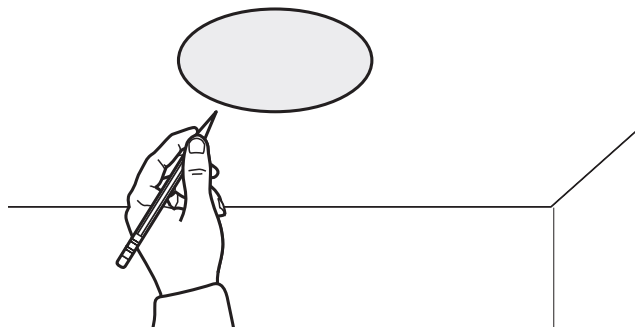
- Usare un cercamontanti per assicurarsi che l'apertura per il diffusore si trovi ad almeno 12 cm dai montanti.
- Montare questi altoparlanti solo su una cornice di legno o materiale analogo. Bose consiglia di installare questi diffusori solo su una cornice di legno o materiale analogo con montanti opportunamente distanziati, come in una struttura 2 x 6.

Collocazione in una struttura non finita

Se si prevede di installare i diffusori in una costruzione non finita, acquistare il kit Bose Rough In. Vedere "Accessori" a pagina 7.

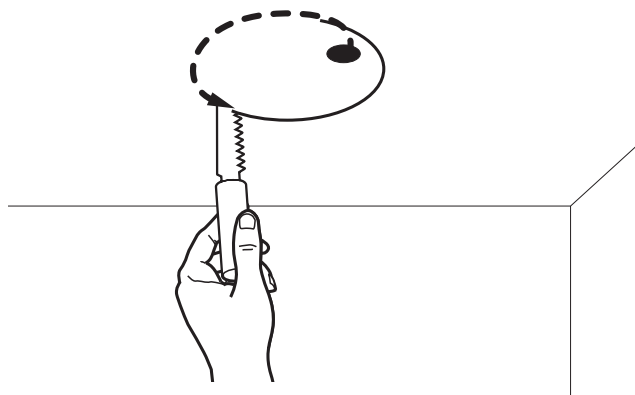
Taglio dell'apertura per il diffusore

1. Utilizzare la dima per tracciare il modello nella posizione desiderata.



AVVERTENZA: Non praticare fori o tagli su superfici che nascondono elementi potenzialmente pericolosi, quali cavi elettrici o tubature. Se si ritiene di non essere in grado di completare l'installazione, rivolgersi a un installatore professionista.

2. Praticare un foro all'interno dell'area tracciata sufficientemente grande da consentire l'inserimento dello strumento di taglio.
3. Tagliare lungo la linea tracciata.

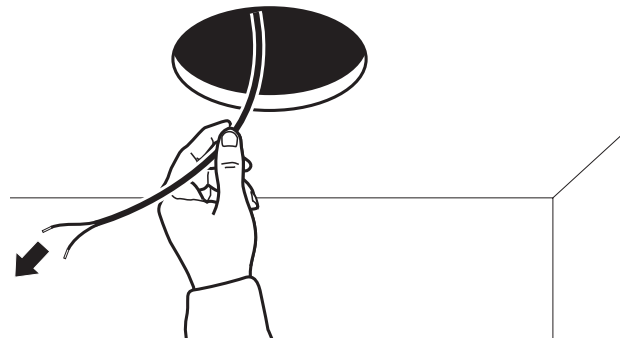


4. Rimuovere il ritaglio.
5. Eliminare eventuali sporgenze o irregolarità presenti sul bordo dell'apertura.

Collegamento del cavo del diffusore

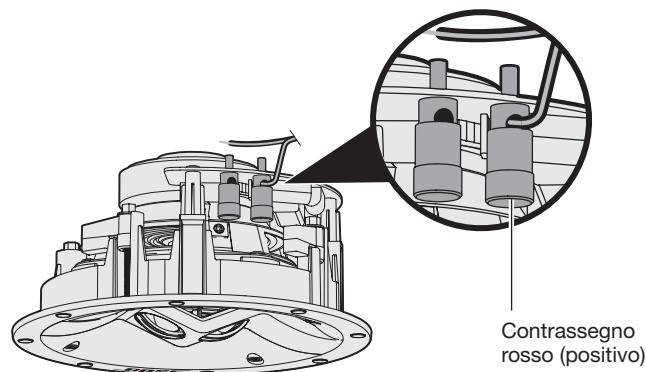
1. Estrarre almeno 36 cm di cavo.

Il cavo deve essere sufficientemente lungo da consentire il collegamento del diffusore dalla posizione in cui si trova.



2. Collegare il cavo positivo al terminale del diffusore contrassegnato in rosso.

Nota: I contrassegni si trovano sulla parte alta dei terminali.



Diffusore *Virtually Invisible*® 591

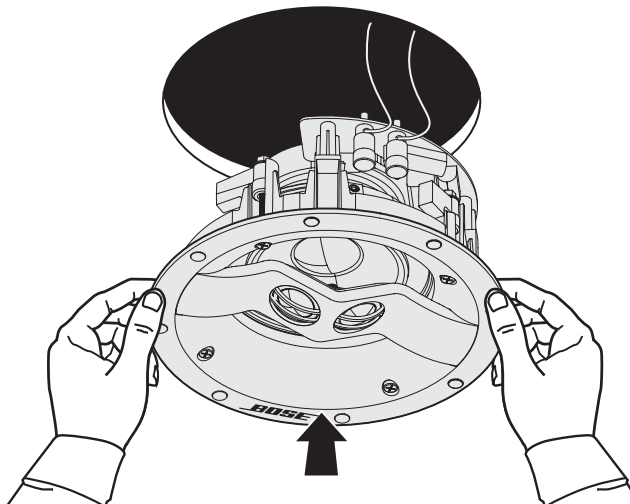
3. Collegare il cavo negativo al terminale del diffusore contrassegnato in nero.

Installazione dei diffusori

Installazione del diffusore

1. Inserire il diffusore nel foro afferrandolo dai bordi esterni.

Nota: Evitare di esercitare pressione sui due piccoli trasduttori presenti nella parte frontale del diffusore, per non rischiare di danneggiare il diffusore.

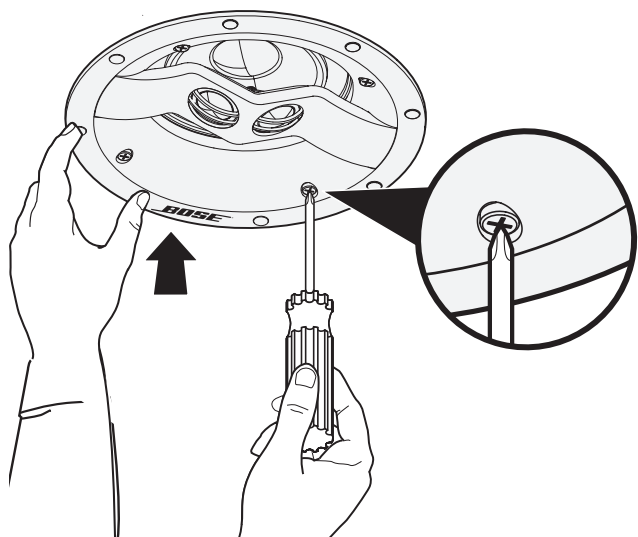


Diffusore *Virtually Invisible*® 591

ATTENZIONE: Alcuni tipi di materiale isolante (ad esempio intonaci contenenti crine di cavallo, giornali, cellulosa e materiali espansi) possono comportare un rischio di combustione. Assicurarsi di mantenere tutto il materiale isolante lontano dai diffusori.

2. Serrare tutte le viti dei morsetti con un cacciavite con testa Phillips.

Nota: Se si utilizza un avvitatore elettrico, impostare il valore di coppia minimo.

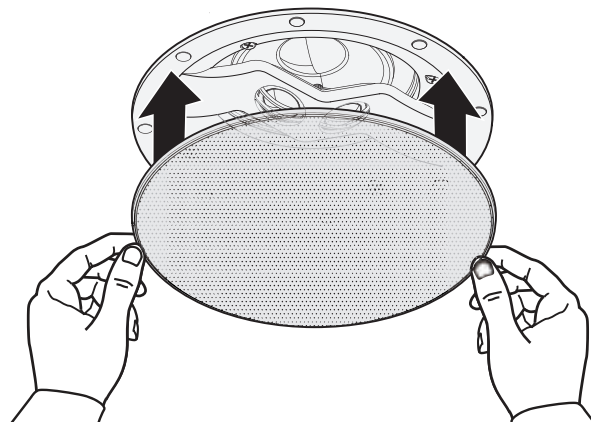


Diffusore *Virtually Invisible*® 591

Installazione della griglia

La griglia si fissa magneticamente al bordo del diffusore.

Collocare la griglia sul diffusore.



Diffusore *Virtually Invisible*® 591

Pitturare la griglia

È possibile pitturare la griglia prima di fissarla al diffusore. Bose® non può essere ritenuta responsabile per la qualità dell'aderenza o della finitura di vernici non applicate in fabbrica.

- La vernice per interni a base di olio o resina deve essere diluita per poter essere usata con una pistola a spruzzo. Consultare le indicazioni di guida riportate nel manuale della pistola a spruzzo.
- Fare attenzione a rimuovere le ostruzioni sui fori della griglia utilizzando un attrezzo appuntito, in quanto questa operazione potrebbe danneggiare la griglia.

Risoluzione dei problemi

Problema	Soluzione
Nessun suono dai diffusori	<ul style="list-style-type: none"> • Verificare che i fili dei diffusori non si siano staccati dai diffusori o dal ricevitore/amplificatore. • Verificare le impostazioni del ricevitore/amplificatore. Per informazioni relative a tali impostazioni, consultare il manuale utente del ricevitore/amplificatore. • Se sono collegati altri diffusori stereo a un secondo gruppo di uscite audio del ricevitore/amplificatore, selezionare la corretta impostazione del diffusore A o B in modo che corrisponda alle uscite A o B collegate ai diffusori.
Suono da un solo diffusore	<ul style="list-style-type: none"> • Disporre il controllo del bilanciamento sul ricevitore/amplificatore in posizione centrale. • Assicurarsi che non vi siano contatti tra i cavi dei terminali positivo e negativo del ricevitore/amplificatore. • Scollegare il cavo del diffusore dal canale del ricevitore/amplificatore e ricollegarlo a un canale diverso. • Assicurarsi che i cavi dei terminali positivo e negativo non entrino in contatto tra loro nel punto in cui il cavo del diffusore si collega al diffusore. • Scollegare il cavo dal diffusore e ricollegarlo a un diffusore diverso. Se funziona, significa che il diffusore deve essere sottoposto a manutenzione. Consultare l'elenco dei contatti accluso alla confezione. • Se queste procedure non consentono di risolvere il problema, sostituire e reinstallare il cavo del diffusore.
I bassi o gli alti sono deboli	<ul style="list-style-type: none"> • Regolare l'impostazione dei controlli di tono sul ricevitore/amplificatore. • Verificare che non vi siano spazi vuoti tra la cornice del diffusore e la parete. • Invertire i cavi collegati ai terminali positivo e negativo del ricevitore/amplificatore. • Scollegare il cavo del diffusore dal canale del ricevitore/amplificatore e ricollegarlo a un canale diverso.
Rumori/scariche statiche dal diffusore	<ul style="list-style-type: none"> • Assicurarsi che i cavi siano in buone condizioni, correttamente collegati al diffusore e al ricevitore/amplificatore e non si tocchino sui terminali. • Collegare correttamente la sorgente audio al ricevitore/amplificatore. • Vedere "Suono da un solo diffusore".

Accessori

In una costruzione non finita, utilizzare il kit Bose® Rough-in.

Il kit contiene parti di due diffusori ed è progettato per l'installazione dopo la posa dei montanti e prima dell'aggiunta dei pannelli di cartongesso. Quando viene installato, il kit consente di indicare lo spazio riservato a ogni diffusore e il punto in cui praticare l'apertura per il diffusore nel pannello di cartongesso.

Per ulteriori informazioni o per ordinare gli accessori, contattare l'assistenza tecnica Bose. Consultare l'elenco dei contatti accluso alla confezione.

Assistenza tecnica

Per ulteriore assistenza sull'uso del sistema:

- Visitare il sito owners.Bose.com
- Contattare il centro di assistenza tecnica Bose. Consultare l'elenco dei contatti accluso alla confezione.

Garanzia limitata

Il sistema è coperto da una garanzia limitata. I dettagli sulla garanzia limitata sono riportati sulla scheda di registrazione del prodotto inclusa nella confezione. Per istruzioni su come registrare la garanzia, consultare la scheda. La mancata registrazione non inciderà in alcun modo sui diritti previsti dalla garanzia limitata.

Le informazioni di garanzia fornite con questo prodotto non sono valide in Australia e Nuova Zelanda. Per i dettagli della garanzia in Australia e Nuova Zelanda, consultare il nostro sito web all'indirizzo www.Bose.com.au/warranty o www.Bose.co.nz/warranty.

Dati tecnici

Compatibilità

Compatibile con amplificatori o ricevitori con potenza nominale da 10 a 100 W per canale/4 - 8 ohm nominali

Virtually Invisible® 791 serie II: Potenza supportata 50 W continui (IEC) a 6 ohm nominali

Virtually Invisible® 591: Potenza supportata 50W continui (IEC) a 8 ohm nominali

Trasduttore *Virtually Invisible*® 791 serie II:

Due tweeter a cupola da 25,4 mm configurati in coppia
Un woofer da 178 mm ad alta escursione

Trasduttore *Virtually Invisible*® 591:

Due tweeter a cupola da 19 mm configurati in coppia
Un woofer da 127 mm ad alta escursione

Dimensioni *Virtually Invisible*® 791 serie II

Diametro: 214 mm

Penetrazione nel soffitto: 105,2 mm

Diametro griglia: 254 mm

Diametro foro nel soffitto: 219 mm

Dimensioni *Virtually Invisible*® 591

Diametro: 166 mm

Penetrazione nel soffitto: 96,7 mm

Diametro griglia: 206 mm

Diametro foro nel soffitto: 170 mm

Peso

Virtually Invisible® 791 serie II: 2,18 kg ciascuno

Virtually Invisible® 591: 1,45 kg ciascuno

Fontos biztonsági utasítások

Kérjük, olvassa el figyelmesen ezt a kezelési útmutatót, és őrizze meg a későbbiekre.



VIGYÁZAT:

- A termékre és annak közelébe tilos gyertyát vagy egyéb nyílt lánggal működő eszközt helyezni.
- Minden Bose® terméket a helyi, a nemzeti és az ágazati előírásoknak megfelelően kell használni. A felszerelést végző személy felelőssége annak biztosítása, hogy a hangszórók és a rögzítőkészlet felszerelése a vonatkozó építési előírásoknak megfelelően történjen, beleértve a helyi építési előírásokat és szabályokat.
- A fej feletti függő terhek nem biztonságos felszerelése súlyos balesetet okozhat vagy a berendezés károsodását eredményezheti. A felszerelést végző személy felelős a használt rögzítési mód megbízhatóságának ellenőrzéséért.



FIGYELEM!

- Ezeket a hangszórókat nem falba, téglából vagy gipszből készült mennyezetbe vagy álmennyezetbe történő beépítésre tervezték, a beszerelésük ilyen szerkezetekbe nem javasolt.
- A termék nem alkalmas légkondicionáló szellőzőterében való használatra.
- Tekintse meg a biztonsággal kapcsolatos jelzéseket a készülékburkolatokon.
- Ne módosítsa a hangszórókat és a tartozékokat. Az illetéktelen módosítások kedvezőtlenül befolyásolhatják a biztonságot, a jogszabályi megfelelést és a rendszer teljesítményét.
- Ügyeljen rá, hogy a hőszigetelő anyagok távol legyenek a hangszóróktól, a jelen útmutatóban olvasható utasításoknak megfelelően.



VIGYÁZAT: A termék kis részeket tartalmaz, melyek fulladást okozhatnak. 3 éves kor alatti gyermekek számára nem alkalmas.



VIGYÁZAT: A termék mágneses anyagot tartalmaz. Ha szeretné tudni, hogy a mágneses anyag befolyásolhatja-e az Ön beültetett orvosi eszközök működését, forduljon orvosához.

MEGJEGYZÉS: A termék csak zárt helyiségben használható. Nem a szabadban, lakóautón vagy hajón való használatra készült, és az ilyen használat szempontjából nem tesztelték.

Fontos biztonsági utasítások

- Olvassa el ezeket az utasításokat.
- Őrizze meg őket.
- Tartson be minden figyelmeztetést.
- Tartsa be az összes utasítást.
- Ne használja a készüléket víz közelében.
- A készüléket a gyártó utasításainak megfelelően helyezze el.
- Ne helyezze a készüléket hőforrás, például fűtőtest, tűzhely vagy más hőtermelő berendezés (ideértve az erősítőket is) közelébe.
- Kizárólag a gyártó által meghatározott kiegészítőket/tartozékokat használja.

Mérgező vagy veszélyes anyagok és vegyi elemek nevei a termékben						
Alkatrész neve	Mérgező vagy veszélyes anyagok és elemek					
	Ólom (Pb)	Higany (Hg)	Kadmium (Cd)	Hat vegyértékű króm (Cr(VI))	Polibrominált bifenil (PBB)	Polibrominált difeniléter (PBDE)
NYÁK-ok	X	O	O	O	O	O
Fémrészek	X	O	O	O	O	O
Műanyag részek	O	O	O	O	O	O
Hangszórók	X	O	O	O	O	O
Kábelek	X	O	O	O	O	O

Ez a táblázat az SJ/T 11364 előírásainak megfelelően készült.
O: Azt jelzi, hogy az adott mérgező vagy veszélyes anyag mennyisége az adott alkatrész egyetlen homogén anyagában sem éri el a GB/T 26572 által meghatározott határértéket.
X: Azt jelzi, hogy az adott mérgező vagy veszélyes anyagot az alkatrész legalább egy homogén anyaga az GB/T 26572 korlátozó előírásait meghaladó mértékben tartalmazza.



Ez a szimbólum azt jelenti, hogy a terméket nem szabad a háztartási hulladékkal együtt kidobni, hanem egy megfelelő hulladékkezelő létesítményben kell leadni, ahol gondoskodnak a termék újrahasznosításáról. A megfelelő hulladékkezelés és újrahasznosítás hozzájárul a természeti erőforrások, az emberi egészség és a környezet védelméhez. A feleslegessé vált termék kezelésével és újrahasznosításával kapcsolatos további információkért forduljon a helyi önkormányzat hulladékkezeléssel megbízott szolgáltatójához, vagy ahhoz az üzlethez, ahol ezt a terméket vásárolta.



A Bose Corporation ezennel kijelenti, hogy jelen termék megfelel a rádióberendezésekre és távközlési végberendezésekre vonatkozó 1999/5/EK irányelv és minden más idevonatkozó EU-irányelv alapvető követelményeinek és egyéb rendelkezéseinek. A teljes megfelelési nyilatkozat megtalálható a következő címen: www.Bose.com/compliance

Kínai importőr: Bose Electronics (Shanghai) Company Limited, Part C, Plan 9, No. 353 North Ruying Road, China (Shanghai) Pilot Free Trade Zone

EU importőr: Bose Products B.V., Gorslaan 60, 1441 RG Purmerend, The Netherlands

Taiwani importőr: Bose Taiwan Branch, Room 905, 9F, Worldwide House, 131 Min Sheng East Rd, Section 3, Taipei, Taiwan, 105

Feljegyzendő és megőrzendő adatok:

Modellszám: _____

Gyári szám: _____

A vásárlás dátuma: _____

A vásárlási bizonylatot érdemes a kezelési útmutató mellett tartani.

Gyártás dátuma:

A gyári szám első, félkövér számjegye a gyártás évét jelzi: például az „5” 2005-öt vagy 2015-öt jelöl.

A VIRTUALLY INVISIBLE a Bose Corporation bejegyzett védjegye az Egyesült Államokban és más országokban.

© 2017 Bose Corporation. Előzetes írásos engedély nélkül a jelen kiadvány semmilyen része nem sokszorosítható, módosítható, terjeszthető, illetve nem használható fel semmilyen más módon.

Bevezetés

A <i>Virtually Invisible</i> ® 791 series II vagy 591 mennyezetbe szerelhető hangszórók bemutatása	4
Kicsomagolás	4
Ajánlott szerszámok	4
A hangszóróvezetékekre vonatkozó követelmények	4
Írányelvek az elhelyezéshez	4
Elhelyezés nem befejezett szerkezetben	4

A hangszórók beszerelése

A hangszóró nyílásának kivágása.....	5
A hangszóróvezeték csatlakoztatása	5
A hangszóró beszerelése	6
A rács felhelyezése.....	6

Ápolás és karbantartás

Hibaelhárítás	7
Tartozékok	7
Ügyfélszolgálat	7
Korlátozott garancia	7
Műszaki adatok	7

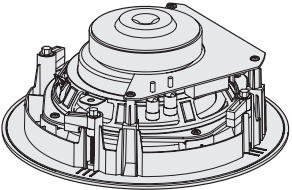
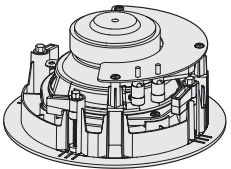
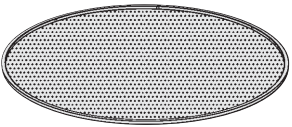
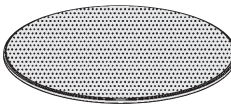
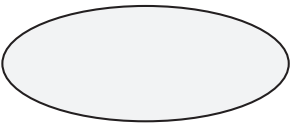
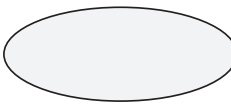
Bevezetés

A Virtually Invisible® 791 series II vagy 591 mennyezetbe szerelhető hangszórók bemutatása

A Bose® Virtually Invisible® 791 series II vagy 591 mennyezetbe szerelhető hangszórók kiemelkedő teljesítményt nyújtanak a beépített sztereó hangrendszerek és házi mozi-rendszerek körében.

Kicsomagolás

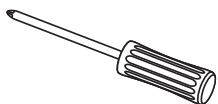
Óvatosan nyissa ki a dobozt, és ellenőrizze a következő összetevők meglétét:

Virtually Invisible® 791 series II hangszórók	Virtually Invisible® 591 hangszórók
	
Két hangszóró	Két hangszóró
	
Két hangszórórács	Két hangszórórács
	
Sablon	Sablon

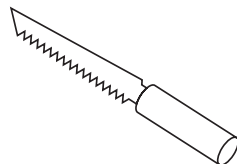
Megjegyzés: Ne használja a rendszert, ha bármelyik részén sérülést észlel. Forduljon a Bose® hivatalos viszonteladójához, vagy a Bose ügyfélszolgálatához. Nézze meg a dobozban található elérhetőségi listát.

Ajánlott szerszámok

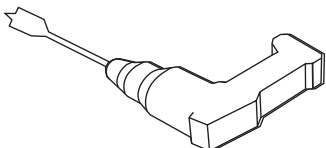
A beszerelés elvégzéséhez az alábbi szerszámokra lehet szüksége:



Csillagfejű csavarhúzó



Vágószerszám



Fúrógép



Védőszemüveg

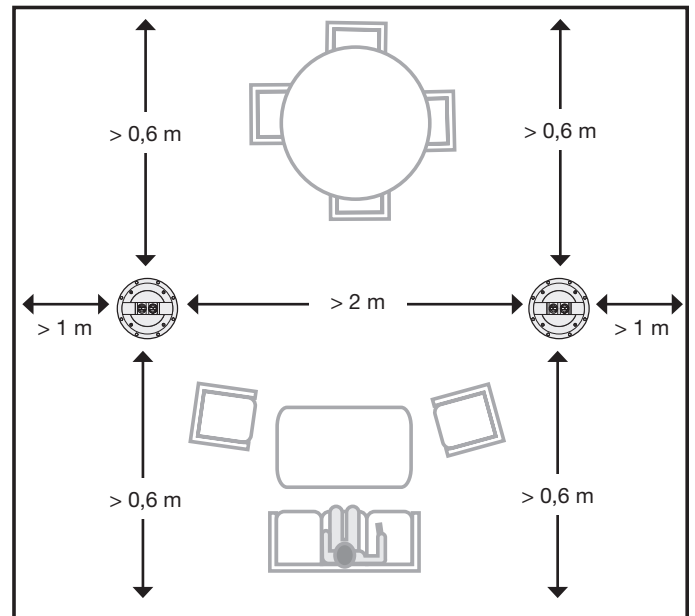
A hangszóróvezetékekre vonatkozó követelmények

Méret	Maximális hossz
18 AWG (0,82 mm ²)	6 m
16 AWG (1,3 mm ²)	9 m
14 AWG (2,1 mm ²)	15 m
12 AWG (3,3 mm ²)	27 m

- A beszerelés előtt gondoskodjon róla, hogy elegendő vezeték lógjon ki a mennyezetből a hangszórók kábelcsatlakozásainak kialakításához.
- A két vezeték mindkét végéről távolítsa el a szigetelést egy 13 mm-es sávban,
- Tekintse meg a helyi építési előírásokat, és kizárólag a mennyezeti beépítésre vonatkozó követelményeknek megfelelő típusú vezetéket használjon.
- A hangszóróvezeték beszerelésével kapcsolatos információkért forduljon egy szakképzett villanszerelőhöz vagy hang- és videorendszerekkel foglalkozó szakemberhez.

Irányelvek az elhelyezéshez

Az ideális sztereó teljesítmény érdekében a hangszórókat az alábbi ábrán látható elrendezéshez hasonlóan helyezze el, betartva a javasolt minimális távolságokat:



Megjegyzések:

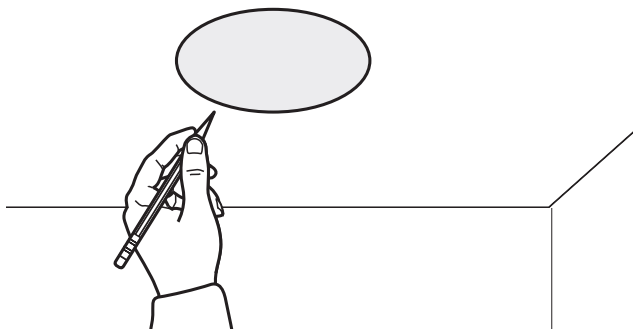
- Egy gerendakereső műszer segítségével biztosítsa, hogy a hangszórónak kivágott nyílás legalább 12 cm-re legyen a legközelebbi födémgerendától.
- A hangszórókat csak favázis vagy hasonló szerkezetű födémbe telepítse. A Bose a hangszórók beszerelését kizárólag favázis vagy hasonló szerkezetű födémbe javasolja, amelyben a vázgerendák egymástól megfelelő távolságra vannak elhelyezve, a 2 x 6-os kialakítású szerkezeteknek megfelelően.

Elhelyezés nem befejezett szerkezetben

Ha nem befejezett szerkezetbe kívánja beszerelni az eszközt, szerezze be a Bose nyers szerkezetbe történő rögzítésre szolgáló készletét. Lásd: „Tartozékok”, 7. oldal.

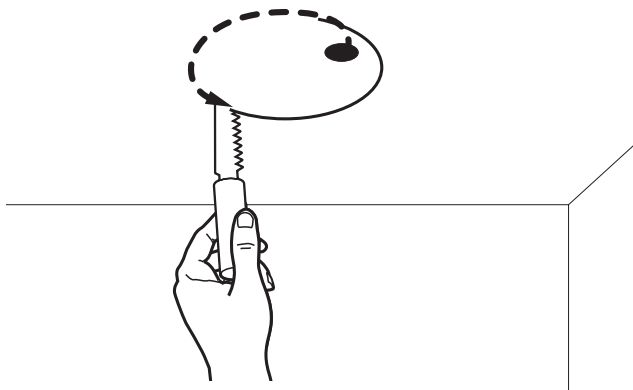
A hangszóró nyílásának kivágása

1. Rajzolja körbe a sablont a hangszórók elhelyezési pontjánál.



VIGYÁZAT: Ne kezdje meg a vágást olyan felületen, mely mögött kockázatot hordozó elemek futhatnak, például víz- vagy villanyvezetékek. Ha nem biztos abban, hogy végre tudja hajtani a hangszóró beszerelését, akkor forduljon szakemberhez.

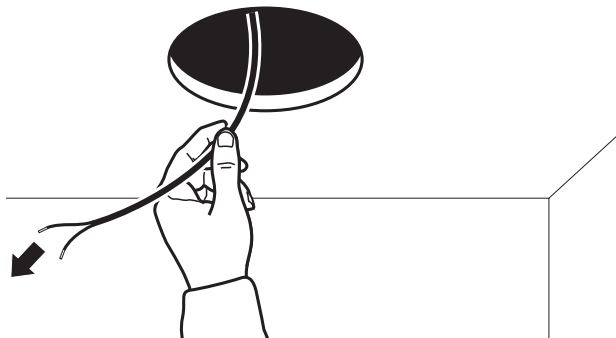
2. Fúrjon egy, a vágószerszám használatához kellően nagy lyukat a sablon területén belül.
3. Vágjon az átrajzolt vonal mentén.



4. Távolítsa el a kivágott részt.
5. Takarítson el minden szakadt vagy egyenetlen anyagot a nyílás környékéről.

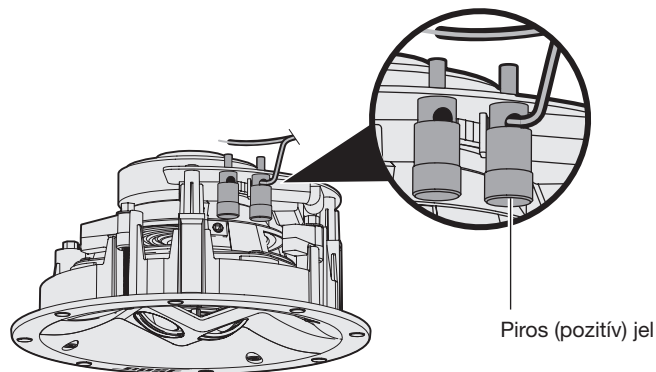
A hangszóróvezeték csatlakoztatása

1. Húzzon ki egy legalább 36 cm hosszú szakaszt a hangszóróvezetékéből.
Hagyjon elég a vezetéket, hogy csatlakoztatni tudja a hangszórót onnan, ahol Ön áll.



2. Csatlakoztassa a pozitív vezetéket a hangszóró piros színnel jelölt csatlakozóvégéhez.

Megjegyzés: A jelzés a csatlakozóvég felső részén található.



Virtually Invisible® 591 hangszóró

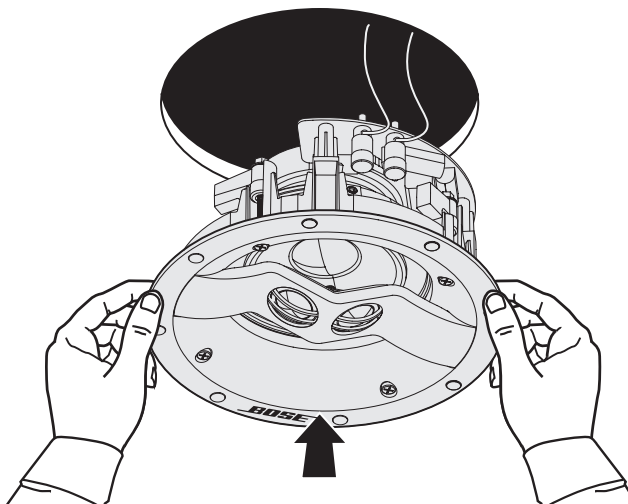
3. Csatlakoztassa a negatív vezetéket a hangszóró fekete színnel jelölt csatlakozóvégéhez.

A hangszórók beszerelése

A hangszóró beszerelése

1. A hangszórót a külső pereménél tartva illessze be a nyílásba.

Megjegyzés: Vigyázzon, hogy ne nyomja meg a hangszóró elülső részén található két kis vezetőelemet. Ezzel kárt okozhat a hangszóróban.

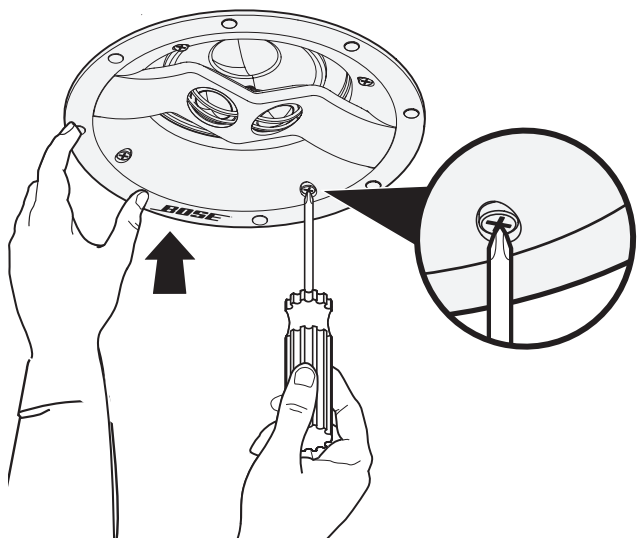


Virtually Invisible® 591 hangszóró

FIGYELEM: Bizonyos fajta szigetelések (például újságpapír, cellulóz, lószőrrel felerősített vakolat és bármilyen befújt szigetelőanyag) gyulladásveszélyesek lehetnek. Ügyeljen rá, hogy minden szigetelés megfelelő távolságra legyen a hangszóróktól.

2. Szorítsa meg az összes rögzítőcsavart egy csillagfejű csavarhúzóval.

Megjegyzés: Ha elektromos csavarbehajtót használ, válassza a legalacsonyabb nyomatékfokozatot.

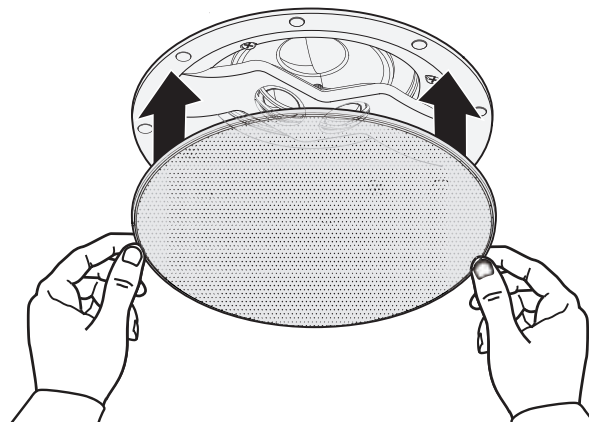


Virtually Invisible® 591 hangszóró

A rács felhelyezése

A rács mágnesek révén rögzül a hangszóró pereméhez.

Helyezze fel a rácsot a hangszóróra.



Virtually Invisible® 591 hangszóró

A rács festése

A rácsok a hangszóróhoz való rögzítés előtt lefesthetők. A Bose® nem felel a nem gyári festés tartósságáért vagy minőségéért.

- A latex vagy olajbázisú falfestéket szívótartályos festékszóró pisztollyal való használathoz hígítani kell. Olvassa el az útmutatást a festékszóró pisztoly felhasználói útmutatójában.
- Legyen óvatos, ha éles tárgy segítségével teszi szabaddá a festék által eltömített rácsnyílásokat, mert ezzel kárt tehet a rácsban.

Hibaelhárítás

Probléma	Teendő
Nem szólnak a hangszórók	<ul style="list-style-type: none"> Ügyeljen arra, hogy a hangszóró vezetékai ne húzódjanak ki a hangszóróból vagy a vevőkészülékből/erősítőből. Ellenőrizze a vevőkészülék/erősítő beállításait. A beállítási utasításokhoz tekintse meg a vevőkészülék/erősítő felhasználói útmutatóját. Ha a vevőkészülék/erősítő második hangkimeneti aljzataihoz más sztereó hangszórók vannak csatlakoztatva, akkor ellenőrizze, hogy a hangszórók csatlakoztatásának megfelelő beállítás (A vagy B kimenet) van-e kiválasztva.
Csak egy hangszóró szól	<ul style="list-style-type: none"> Állítsa középre a vevőkészülék/erősítő egyensúlykapcsolóját. Győződjön meg róla, hogy a vevőkészülék/erősítő pozitív és negatív csatlakozóvégeiből jövő vezeték nem érnek egymáshoz. Válassza le a hangszóróvezeték a vevőkészülék/erősítő adott csatornájáról, és csatlakoztassa egy másik csatornájához. Győződjön meg róla, hogy a pozitív és negatív csatlakozóvégekből jövő vezeték nem érnek egymáshoz a vezeték és a hangszóró csatlakozási pontjánál. Húzza ki a hangszóróvezeték a hangszóróból, és csatlakoztassa egy másik hangszóróhoz. Ha ez a hangszóró működik, az eredetileg csatlakoztatott hangszóró javításra szorul. Nézze meg a dobozban található elérhetőségi listát. Ha a fenti hibaelhárítási lépések végrehajtása után a hiba továbbra is fennáll, cserélje ki vagy szerelje be újra a hangszóróvezetékét.
Gyengék a mély vagy a magas hangok	<ul style="list-style-type: none"> Módosítsa a vevőkészülék/erősítő hangszínegyensúly-beállításait. Ügyeljen rá, hogy ne legyen hézag a hangszóró kerete és a fal felülete között. Cserélje meg a vevőkészülék/erősítő pozitív és negatív csatlakozóihoz csatlakoztatott vezetékét. Válassza le a hangszóróvezeték a vevőkészülék/erősítő adott csatornájáról, és csatlakoztassa egy másik csatornájához.
Statikus vagy egyéb zaj szól a hangszóróból	<ul style="list-style-type: none"> Ellenőrizze, hogy a vezeték jó állapotban vannak-e, megfelelően csatlakoznak-e a hangszóróhoz és a vevőkészülékhez/erősítőhöz, és a különböző csatlakozóvégekhez csatlakoztatott vezeték nem érintkeznek-e egymással. Csatlakoztassa megfelelően a zeneforrást a vevőkészülékhez/erősítőhöz. Lásd: „Csak egy hangszóró szól”.

Tartozékok

Befejezetlen szerkezet esetén használja a Bose® nyers szerkezetbe való beszerelésre szolgáló készletet.

A készlet két hangszóróhoz való alkatrészt tartalmaz. Abban a fázisban használható, amikor a födémgerendák már a helyükön vannak, a födémburkolat azonban még nem került a helyére. A felszerelt készlet szabadon hagyja a helyet az egyes hangszóróknak, és kijelöli a hangszórónyílások helyét a födémburkolatban.

További információkért vagy kiegészítők rendeléséhez forduljon a Bose ügyfélszolgálatához. Nézze meg a dobozban található elérhetőségi listát.

Ügyfélszolgálat

A rendszer használatával kapcsolatos további információk:

- Látogasson el az owners.Bose.com webhelyre.
- Forduljon a Bose ügyfélszolgálatához. Nézze meg a dobozban található elérhetőségi listát.

Korlátozott garancia

A rendszerre korlátozott garancia vonatkozik. A korlátozott garanciával kapcsolatos részletes tudnivalókat a termék dobozában található termékregisztrációs kártyán találja. A regisztrálás lépéseit is ez a lap tartalmazza. A regisztráció elmulasztása nem befolyásolja a korlátozott garanciára való jogosultságát.

A termékhez mellékelt garanciális útmutatón szereplő feltételek Ausztráliában és Új-Zélandon nem érvényesek. Az Ausztráliában és Új-Zélandon érvényes garanciával kapcsolatos részletes tudnivalókért keresse fel weboldalunkat a www.Bose.com.au/warranty vagy a www.Bose.co.nz/warranty címen.

Műszaki adatok

Kompatibilitás

Kompatibilis az alábbi névleges értékekkel rendelkező erősítővel vagy vevőkészülékekkel:

10–100 W csatornánként/4–8 ohm névleges ellenállás

Virtually Invisible® 791 series II: 50 W IEC folyamatos teljesítménykezelés; 6 ohm (névleges)

Virtually Invisible® 591: 50 W IEC folyamatos teljesítménykezelés; 8 ohm (névleges)

***Virtually Invisible*® 791 series II hangsugárzó elemek:**

Két 25,4 mm-es (1") dómos magassugárzó tömb elrendezésben

Egy 178 mm-es (7") nagyteljesítményű mélysugárzó

***Virtually Invisible*® 591 series II hangsugárzó elemek:**

Két 19mm-es (¾") dómos magassugárzó tömb elrendezésben.

Egy 127 mm-es (5") nagyteljesítményű mélysugárzó

***Virtually Invisible*® 791 series II méretei:**

Átmérő: 214 mm (8,4")

Mennyezeti beépítési mélység: 105,2 mm (4,14")

Rács átmérője: 254 mm (10")

Mennyezeti lyuk átmérője: 219 mm (8⅝")

***Virtually Invisible*® 591 méretei:**

Átmérő: 166 mm (6,5")

Mennyezeti beépítési mélység: 96,7 mm (3,8")

Rács átmérője: 206 mm (8,11")

Mennyezeti lyuk szükséges átmérője: 170 mm (6,7") átmérő

Tömeg

Virtually Invisible® 791 series II: 2,18 kg darabonként

Virtually Invisible® 591: 1,45 kg darabonként

Viktige sikkerhetsinstruksjoner

Les denne brukerveiledningen nøye, og oppbevar den for fremtidig referanse.



ADVARSLER:

- Ikke plasser kilder til bar ild, for eksempel tente stearinlys, på eller nær produktet.
- Alle Bose®-produkter må brukes i henhold til gjeldende lokal og nasjonal lovgivning i tillegg til retningslinjer for bransjen. Det er installatørens ansvar å sikre at monteringen av høyttalerne og monteringsystemet utføres i henhold til gjeldende byggeforskrifter, herunder lokale byggeforskrifter og bestemmelser.
- Usikker montering eller av tunge gjenstander over, kan føre til alvorlig skade på utstyret. Det er installatørens ansvar å vurdere påliteligheten av monteringsmetoden som brukes for bruken.



FORSIKTIG:

- Disse høyttalerne er ikke designet for eller anbefalt for montering i vegger, tak av mur eller i himlinger.
- Dette produktet er ikke beregnet for bruk luftfartsnavigasjonsområder.
- Se produktkabinettet for sikkerhetsrelaterte merkinger.
- Ikke gjør noen endringer i høyttalerne eller tilbehøret. Uautoriserte endringer kan utgjøre en fare for sikkerheten, overholdelse av gjeldende forskrifter og systemets ytelse.
- Pass på å holde all isolasjon bort fra høyttalerne i samsvar med monteringsinstruksjonene i denne veiledningen.



ADVARSEL: Inneholder små deler som kan medføre fare for kvelning. Ikke egnet for barn under 3 år.



ADVARSEL: Dette produktet inneholder magnetisk materiale. Kontakt lege hvis du har spørsmål om dette kan påvirke drift av implantert medisinsk utstyr.

MERK: Dette produktet må bare brukes innendørs. Det er verken utformet for eller testet for utendørs bruk, i fritidskjøretøyer eller på båter.

Viktige sikkerhetsinstruksjoner

- Les disse instruksjonene.
- Oppbevar disse instruksjonene.
- Følg alle advarsler.
- Følg alle instruksjoner.
- Ikke bruk apparatet i eller nær vann.
- Plasser i henhold til produsentens instruksjoner.
- Ikke plasser i nærheten av varmekilder, for eksempel radiatorer, varmeapparater, ovner eller andre apparater (herunder forsterkere) som produserer varme.
- Bruk kun tilbehør/utstyr som er spesifisert av produsenten.

Navn på og innhold i giftige eller skadelige stoffer eller bestanddeler						
Delnavn	Giftige eller skadelige stoffer eller bestanddeler					
	Bly (Pb)	Kvikksølv (Hg)	Kadmium (Cd)	Heksavalent (CR(VI))	Polybromerte bifenylere (PBB)	Polybromerte difenyletere (PBDE)
PCBer	X	O	O	O	O	O
Metaldeler	X	O	O	O	O	O
Plastikdeler	O	O	O	O	O	O
Høyttalere	X	O	O	O	O	O
Kabler	X	O	O	O	O	O

Denne tabellen er klargjort i henhold til krav i SJ/T 11364.
O: Angir at dette giftige eller farlige stoffet som finnes i alle de homogene materialene i denne delen, er under grensekravene i GB/T 26572.
X: Angir at dette giftige eller farlige stoffet som finnes i minst én av de homogene materialene i denne delen, er under grensekravene i GB/T 26572



Dette symbolet betyr at produktet ikke må kasseres som husholdningsavfall, og at det skal leveres til en passende innsamlingsanlegg for gjenvinning. Riktig håndtering og gjenvinning bidrar til å beskytte naturressurser, helse og miljø. Hvis du vil ha mer informasjon om avhending og resirkulering av dette produktet, kan du kontakte kommunen, renovasjonstjenesten eller butikken der du kjøpte dette produktet.



Bose Corporation erklærer herved at dette produktet er i samsvar med grunnleggende og andre relevante krav i henhold til direktiv 1999/5/EC og alle andre gjeldende krav i EU-direktiver. Den fullstendige overholdelseserklæringen finner du på www.Bose.com/compliance

Importør for Kina: Bose Electronics (Shanghai) Company Limited, Part C, Plan 9, No. 353 North Riyang Road, Kina (Shanghai) Pilot Free Trade Zone

Importør for EU: Bose Products B.V., Gorslaan 60, 1441 RG Purmerend, Nederland

Importør for Taiwan: Bose Taiwan Branch, Room 905, 9F, Worldwide House, 131 Min Sheng East Rd, Section 3, Taipei, Taiwan, 105

Fyll ut og oppbevar for senere bruk:

Modellnummer: _____

Serienummer: _____

Kjøpsdato: _____

Vi foreslår at du oppbevarer kvitteringen sammen med brukerveiledningen.

Produksjonsdato:

Det første uthevede sifferet i serienummeret er produksjonsåret. 5 er 2005 eller 2015.

VIRTUALLY INVISIBLE er et registrerte varemerker for Bose Corporation i USA og andre land.

© 2017 Bose Corporation. Ingen del av dette produktet kan reproduseres, endres, distribueres eller brukes på annen måte uten å ha innhentet skriftlig tillatelse på forhånd.

Innføring

Om <i>Virtually Invisible</i> ® 791 series II eller 591 in-ceiling speakers	4
Utpakking.....	4
Anbefalte verktøy	4
Krav for høyttalerkabel	4
Veiledning for plassering	4
Plassering i uferdige konstruksjoner.....	4

Montere høyttalerne

Skjære ut høyttalerhullet.....	5
Koble til høyttalerkabelen.....	5
Montere høyttaleren	6
Feste fronten	6

Stell og vedlikehold

Feilsøking	7
Tilbehør	7
Kundestøtte.....	7
Begrenset garanti.....	7
Teknisk informasjon	7

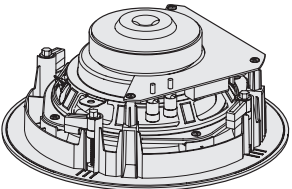
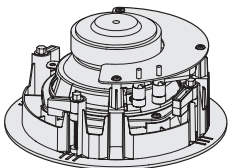
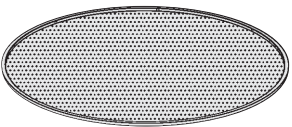
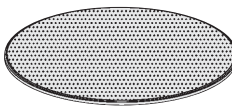
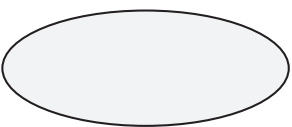

Innføring

Om *Virtually Invisible*® 791 series II eller 591 in-ceiling speakers

Bose® *Virtually Invisible*® 791 eller 591 in-ceiling speakers gir overlegen ytelse for lytting til stereomusikk og hjemmekinosystem.

Utpakking

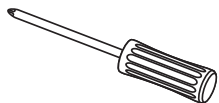
Pakke esken forsiktig ut, og kontroller at følgende deler følger med:

<i>Virtually Invisible</i> ® 791 series II høyttalere	<i>Virtually Invisible</i> ® 591 høyttalere
	
To høyttalere	To høyttalere
	
To høyttalerfronter	To høyttalerfronter
	
Mal	Mal

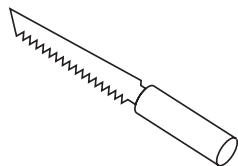
Merk: Ikke bruk systemet hvis deler av det er skadet. Kontakt din autoriserte Bose®-forhandler eller ring til kundestøtte for Bose. Se kontaktarket i esken.

Anbefalte verktøy

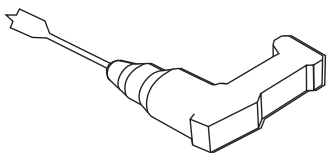
Du kan trenge følgende verktøy for å fullføre monteringen:



Skrujern med Phillips-hode



Skjæreverktøy



Elektrisk bor



Sikkerhetsbriller

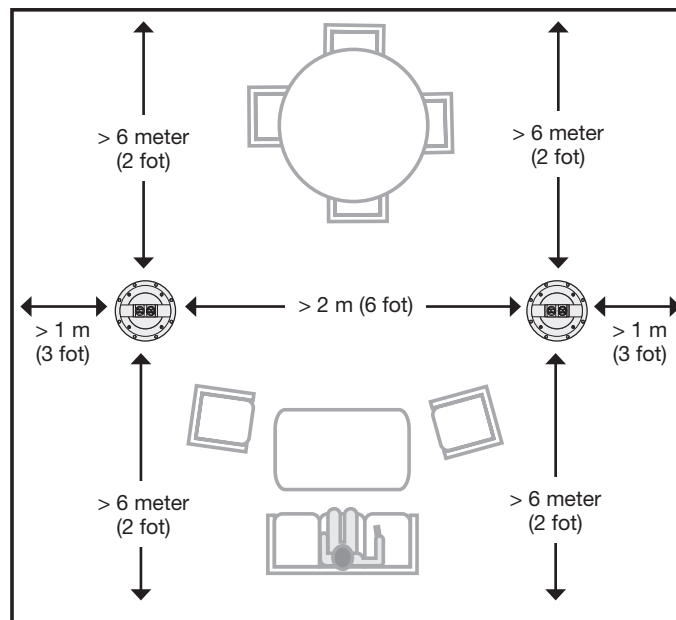
Krav for høyttalerkabel

Tykkelse	Maksimal lengde
18 AWG (0,82 mm ²)	6 m (20 fot)
16 AWG (1,3 mm ²)	9 meter (30 fot)
14 AWG (2,1 mm ²)	15 m (50 fot)
12 AWG (3,3 mm ²)	27 m (90 fot)

- Pass på å ha nok kabel fra taket til høyttalerne før montering.
- Fjern 13 mm (½ tomme) av isolasjon i hver ende av begge ledninger.
- Sjekk dine lokale byggeforskrifter, og bruk riktig type kabel som kreves for montering i taket.
- Hvis du vil ha informasjon om hvordan du monterer høyttalerkabelen, kontakter du en profesjonell elektriker eller lyd-/videoinstallatør.

Veiledning for plassering

Monter høyttalerne i posisjoner som ligner på figuren nedenfor med minimum anbefalte avstander for optimal stereogengivelse:



Merknader:

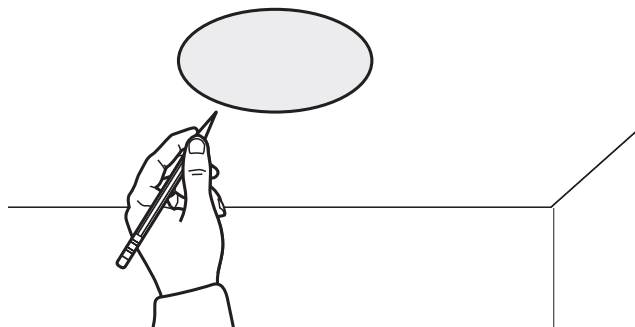
- Bruk en stendersøker for å sikre at høyttalerhullet er minst 12 cm (¾ tomme) borte fra en bjelke.
- Montere disse høyttalerne i treramme eller lignende konstruksjoner. Bose anbefaler at disse høyttalerne bare monteres i treramme eller lignende konstruksjon med tilstrekkelig mellomrom stendere, for eksempel som i 2x6-konstruksjoner.

Plassering i uferdige konstruksjoner

Hvis du planlegger montering i en uferdig konstruksjon, kjøpe Bose montasjepakke for nye konstruksjoner. Se "Tilbehør" på side 7.

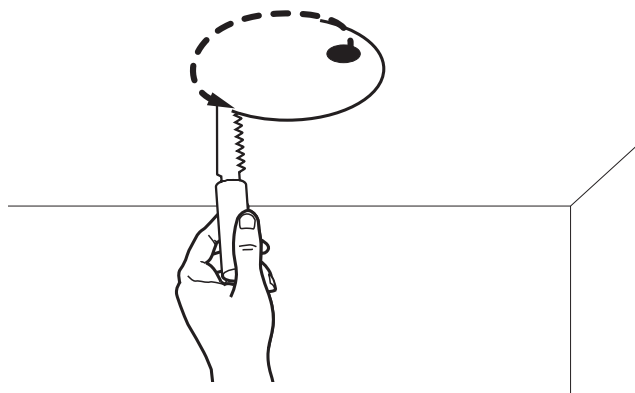
Skjære ut høyttalerhullet

1. Merk av rundt malen der høyttaleren skal plasseres.



ADVARSEL: Ikke skjær inn i som har skjulte færemomenter bak seg, for eksempel elektriske kabler eller rør. Hvis du ikke er sikker på hvordan du monterer høyttaleren, kontakter du en profesjonell montør.

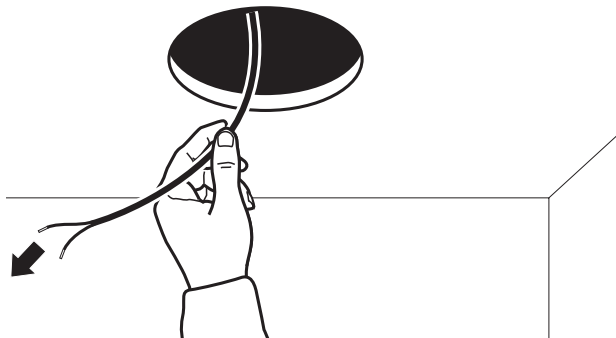
2. Bor et hull i malområdet som er stort nok for skjæreverktøyet.
3. Skjær langs linjen du tegnet.



4. Fjern delen du skar ut.
5. Fjern eventuelt revet eller grovt materiale rundt hullet.

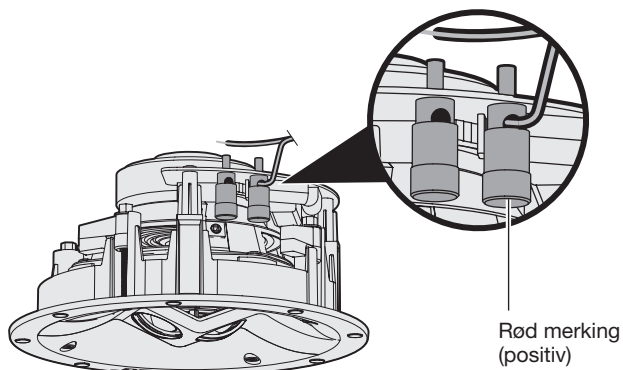
Koble til høyttalerkabelen

1. Trekk ut minst 36 cm (14 tommer) av høyttalerkabelen.
Pass på at det er nok kabel til å koble til høyttaleren fra der du står.



2. Koble den positive ledningen til den rødmerkede terminalen på høyttaleren.

Merk: Terminalmerkingen er plassert over terminalen.



Virtually Invisible® 591 høyttaler

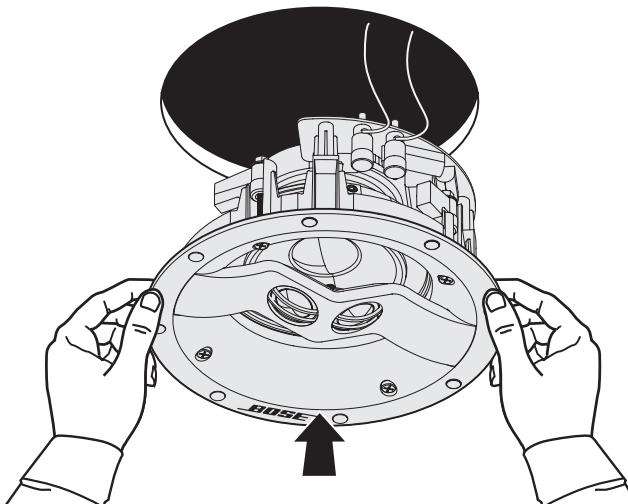
3. Koble den negative ledningen til den svartmerkede terminalen på høyttaleren.

Montere høyttalerne

Montere høyttaleren

1. Hold høyttaleren på kantene, og sett den inn i hullet.

Merk: Ikke trykk på de to små drivere på forsiden av høyttaleren. Dette kan føre til skade på høyttaleren.

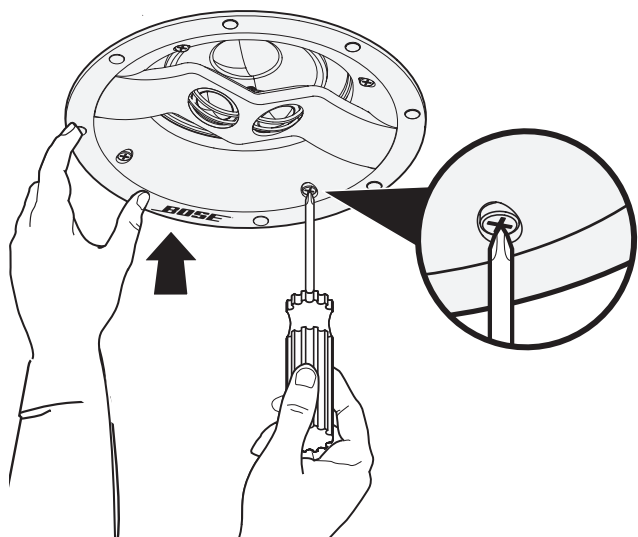


Virtually Invisible® 591 høyttaler

FORSIKTIG: Enkelte former for isolasjon (for eksempel hestehår gips, avis, cellulose, eller blåst i materialer) kan utgjøre en risiko for antennelse. Pass på at du holder all isolasjon bort fra høyttalerne.

2. Trekk til alle klemskruene med en stjerneskrudjern.

Merk: Hvis du bruker et elektrisk bor, velger du den laveste innstillingen for dreiemoment.

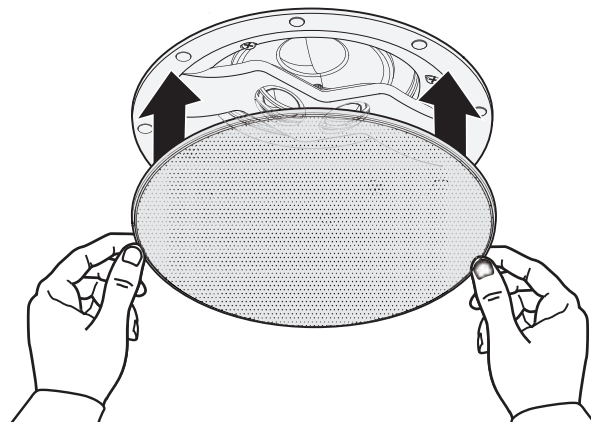


Virtually Invisible® 591 høyttaler

Feste fronten

Fronten festes med magneter til kanten av høyttaleren.

Plasser fronten på høyttaleren.



Virtually Invisible® 591 høyttaler

Male fronten

Du kan male høyttalerfrontene før du fester dem til høyttalerne. Bose® er ikke ansvarlig for kvaliteten på vedheft eller kvaliteten på ikke-fabrikkpålagt maling.

- Lateksmaling og oljebasert arkitektonisk maling krever tynning for bruk med sprøytepistol. Se brukerveiledningen som følger med sprøytepistolen for veiledning.
- Vær forsiktig når du bruker en skarp gjenstand i hullene i fronten for å fjerne malingsklumper siden dette kan føre til skade på fronten.

Feilsøking

Problem	Gjør dette
Ingen lyd fra høyttalere	<ul style="list-style-type: none"> Pass på at høyttalerkablene ikke ble koblet fra høyttalerne eller mottakeren/forsterkeren. Kontroller innstillingene på mottakeren/forsterkeren. Se brukerveiledningen for mottakeren/forsterkeren for instruksjoner om innstillinger. Hvis andre stereohøyttalere er koblet til et annet sett med lydutganger på mottakeren/forsterkeren, velger du riktig A- eller B-høyttalerinnstilling for å samsvare A- eller B-utgangene som er koblet til høyttalerne.
Bare lyd fra én høyttaler	<ul style="list-style-type: none"> Midtstill balansekontrollen på mottakeren/forsterkeren. Pass på at ingen ledninger fra de positive og negative terminalene på mottakeren/forsterkeren berører hverandre. Koble høyttalerkabelen fra mottaker-/forsterkerkanalen og koble den til en annen kanal. Pass på at ingen ledninger fra de positive og negative terminalene berører hverandre. Koble høyttalerkabelen fra høyttaleren og koble den til en annen høyttaler. Hvis denne høyttaleren fungerer, trenger høyttaleren service. Se kontaktarket i esken. Erstatt og fest høyttalerkabelen på nytt hvis disse feilsøkingstrinnene ikke løser problemet.
Bassen eller diskanten er svak	<ul style="list-style-type: none"> Juster tonebalansen på mottakeren/forsterkeren. Pass på at det ikke er mellomrom mellom høyttalerrammen og veggoverflaten. Bytt ledningene som er koblet til de positive og negative terminalene på mottakeren/forsterkeren. Koble høyttalerkabelen fra mottaker-/forsterkerkanalen og koble den til en annen kanal.
Spraking/støy fra høyttalerne	<ul style="list-style-type: none"> Pass på at ledningene er i god stand, er godt tilkoblet høyttaler og mottakeren/forsterkeren og ikke berører hverandre på tvers av terminalene. Koble musikkilden riktig til mottakeren/forsterkeren. Se "Bare lyd fra én høyttaler".

Tilbehør

Hvis du planlegger montering i en uferdig konstruksjon, bruk Bose® montasjepakke for nye konstruksjoner.

Pakken inneholder deler for to høyttalere og er designet for montering etter at bjelkene er montert og før veggplater er montert. Når montert, reserverer settet en plass for hver høyttaler og angir hvor høyttalerhullet skal plasseres i veggplaten.

Hvis du vil ha mer informasjon eller vil bestille tilbehør, kan du kontakte Bose kundestøtte. Se kontaktarket i esken.

Kundestøtte

Hvis du vil ha mer informasjon om hvordan du bruker systemet:

- Gå til owners.Bose.com
- Kontakt kundestøtte hos Bose. Se kontaktarket i esken.

Begrenset garanti

Systemet er dekket av en begrenset garanti. Du finner nærmere informasjon om den begrensede garantien på registreringskortet for produktet i esken. Se kortet for instruksjoner om hvordan du registrerer produktet. Hvis du ikke registrerer produktet, påvirker det ikke den begrensede garantirettigheten.

Garantiinformasjonen for dette produktet gjelder ikke i Australia og New Zealand. Se nettstedet vårt på www.Bose.com.au/warranty eller www.Bose.co.nz/warranty for informasjon om garantien i Australia og New Zealand.

Teknisk informasjon

Kompatibilitet

Kompatibel med forsterkere eller mottakere med 10-100 W per kanal / 4 til 8 ohm

Virtually Invisible® 791 series II: 50 W IEC kontinuerlig effekt, 6 ohm

Virtually Invisible® 591: 50 W IEC kontinuerlig effekt, 8 ohm

***Virtually Invisible*® 791 series II driver:**

To 25,4 mm (1") domediskanthøyttalere konfigurert i en matrise
En 178 mm (7") basshøyttaler

***Virtually Invisible*® 591 driver:**

To 19 mm (3/4") domediskanthøyttalere konfigurert i en matrise
En 127 mm (5") basshøyttaler

Dimensjoner for *Virtually Invisible*® 791 series II:

Diameter: 214 mm (8,4")
Dybde i tak: 105,2 mm (4,14")
Frontdiameter: 254 mm (10")
Diameter for takhull: 219 mm (8 5/8")

Dimensjoner for *Virtually Invisible*® 591:

Diameter: 166 mm (6,5")
Dybde i tak: 96,7 mm (3,8")
Frontdiameter: 206 mm (8,11")
Diameter for takhull: 170 mm (6,7") diameter

Vekt

Virtually Invisible® 791 series II: 2,18 kg (4,8 lb) hver

Virtually Invisible® 591: 1,45 kg (3,19 lb) hver

Ważne zalecenia dotyczące bezpieczeństwa

Należy uważnie przeczytać ten podręcznik użytkownika i zachować go w celu użycia w przyszłości.



OSTRZEŻENIA:

- Na urządzeniu lub w jego pobliżu nie należy umieszczać źródeł otwartego ognia (np. zapalonych świec).
- Wszystkie produkty firmy Bose® muszą być używane zgodnie z przepisami lokalnymi, krajowymi, federalnymi i branżowymi. Instalator jest zobowiązany zainstalować głośniki i system montażowy zgodnie ze wszystkimi odpowiednimi regulaminami budowlanymi, w tym regulaminami i przepisami obowiązującymi w budynku.
- Niebezpieczne zamocowanie lub podwieszenie u góry ciężkich przedmiotów może spowodować poważne obrażenia i uszkodzenia sprzętu. Do obowiązków instalatora należy ocena niezawodności każdej ze stosowanych metod instalacji.



PRZESTROGI:

- Głośniki nie zostały zaprojektowane do instalacji na ścianach bądź mурowanych lub podwieszanych sufitach. Nie jest to również zalecane.
- Produkt nie jest przeznaczony do użytku w komorach wyrównawczych ze sprężonym powietrzem.
- Na obudowach urządzeń umieszczono etykiety ostrzegawcze.
- Nie należy modyfikować głośników lub akcesoriów. Nieautoryzowane modyfikacje mogą niekorzystnie wpływać na bezpieczeństwo, zgodność z przepisami i wydajność systemu.
- Izolacja musi znajdować się z dala od głośników zgodnie z instrukcjami instalacji w tym podręczniku.



OSTRZEŻENIE: Produkt zawiera małe części mogące spowodować zadławienie się. Nie jest on odpowiedni dla dzieci poniżej 3 lat.



OSTRZEŻENIE: Produkt zawiera elementy magnetyczne. Wszelkie wątpliwości dotyczące wpływu tych elementów na funkcjonowanie implantów medycznych należy skonsultować z lekarzem.

UWAGA: Urządzenia należy używać wewnątrz pomieszczeń. Nie jest ono przeznaczone do użytku na zewnątrz, w pojazdach rekreacyjnych ani na łodziach i nie przetestowano jego działania w tych warunkach.

Ważne zalecenia dotyczące bezpieczeństwa

1. Należy przeczytać te instrukcje.
2. Należy zachować te instrukcje.
3. Należy uwzględnić wszystkie ostrzeżenia.
4. Należy postępować zgodnie z instrukcjami.
5. Nie wolno korzystać z tego urządzenia w pobliżu wody.
6. Urządzenie należy zainstalować zgodnie z zaleceniami producenta.
7. Nie wolno instalować urządzenia w pobliżu źródeł ciepła, takich jak kaloryfery, przewody kominowe, piece lub inne urządzenia (na przykład wzmacniacze) wydzielające ciepło.
8. Należy korzystać wyłącznie z dodatków/akcesoriów zalecanych przez producenta.

Nazwy i zawartość toksycznych lub szkodliwych substancji albo pierwiastków						
Nazwa	Toksyczne lub szkodliwe substancje albo pierwiastki					
	Ołów (Pb)	Rtęć (Hg)	Kadm (Cd)	Sześciowartościowy chrom (Cr(VI))	Polibromowany bifenyl (PBB)	Polibromowany difenyleter (PBDE)
Polichlorowane bifenyle (PCB)	X	O	O	O	O	O
Części metalowe	X	O	O	O	O	O
Części z tworzyw szt.	O	O	O	O	O	O
Głośniki	X	O	O	O	O	O
Kable	X	O	O	O	O	O

Tę tabelę przygotowano zgodnie z wymaganiami SJ/T 11364.
O: Wskazuje, że dana substancja toksyczna lub szkodliwa, która jest zawarta we wszystkich homogenicznych materiałach dla tej części, nie przekracza limitu określonego w normie GB/T 26572.
X: Wskazuje, że dana substancja toksyczna lub szkodliwa, która jest zawarta w co najmniej jednym z homogenicznych materiałów użytych dla tej części, przekracza limit określony w normie GB/T 26572.



Ten symbol oznacza, że produktu nie należy wyrzucać razem z innymi odpadkami z gospodarstwa domowego. Produkt należy dostarczyć do odpowiedniego miejsca zbiórki w celu recyklingu. Prawidłowa utylizacja i recykling ułatwiają ochronę zasobów naturalnych, ludzkiego zdrowia i środowiska naturalnego. Aby uzyskać więcej informacji na temat utylizacji i recyklingu tego produktu, skontaktuj się z samorządem lokalnym, z zakładem utylizacji odpadów albo ze sklepem, w którym produkt został nabyty.



Firma Bose Corporation niniejszym deklaruje, że ten produkt jest zgodny z podstawowymi wymaganiami i zaleceniami określonymi w dyrektywie 1999/5/WE oraz innych obowiązujących dyrektywach UE. Pełna treść Deklaracji zgodności jest dostępna w witrynie www.Bose.com/compliance

Importer — Chiny: Bose Electronics (Shanghai) Company Limited, Part C, Plan 9, No. 353 North Ruying Road, China (Shanghai) Pilot Free Trade Zone

Importer — UE: Bose Products B.V., Gorslaan 60, 1441 RG Purmerend, Holandia

Importer — Tajwan: Bose Taiwan Branch, Room 905, 9F, Worldwide House, 131 Min Sheng East Rd, Section 3, Taipei, Taiwan, 105

Prosimy wpisać i zachować następujące informacje:

Numer modelu: _____

Numer seryjny: _____

Data zakupu: _____

Zalecamy przechowywanie paragonu sprzedaży wraz z instrukcją obsługi.

Data produkcji:

Pierwsza pogrubiona cyfra numeru seryjnego oznacza rok produkcji, np. cyfra „5” oznacza 2005 lub 2015 r.

Wprowadzenie

Głośniki sufitowe <i>Virtually Invisible</i> ® 79l seria II lub 59l	4
Rozpakowywanie	4
Zalecane narzędzia	4
Wymagania dotyczące przewodów głośnikowych	4
Zalecenia dotyczące rozmieszczenia	4
Rozmieszczanie w niedokończonej konstrukcji	4

Instalacja głośników

Wycinanie otworu głośnika	5
Podłączanie przewodów głośnikowych	5
Instalacja głośnika	6
Mocowanie osłony głośnika	6

Konserwacja

Rozwiązywanie problemów	7
Akcesoria	7
Dział Obsługi Klientów	7
Ograniczona gwarancja	7
Dane techniczne	7

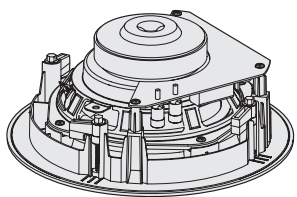
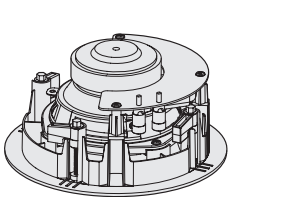
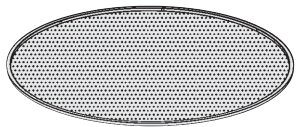
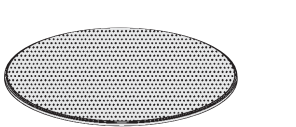
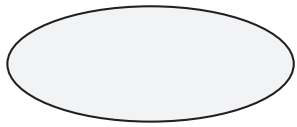
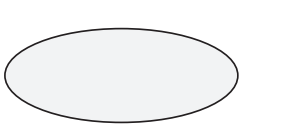
Wprowadzenie

Głośniki sufitowe *Virtually Invisible*® 791 seria II lub 591

Głośniki sufitowe Bose® *Virtually Invisible*® 791 seria II lub 591 zapewniają najwyższą jakość dźwięku podczas słuchania muzyki na wbudowanych systemach stereo oraz podczas korzystania z kina domowego.

Rozpakowywanie

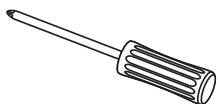
Ostrożnie rozpakuj opakowanie i upewnij się, że zawiera elementy przedstawione poniżej:

Głośniki <i>Virtually Invisible</i> ® 791 seria II	Głośniki <i>Virtually Invisible</i> ® 591
	
Dwa głośniki	Dwa głośniki
	
Dwie osłony głośników	Dwie osłony głośników
	
Szablon	Szablon

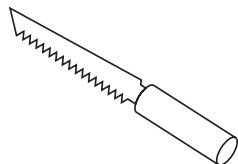
Uwaga: Nie wolno korzystać ze składników systemu, które zostały uszkodzone podczas transportu. Należy powiadomić autoryzowanego dystrybutora produktów firmy Bose® lub Dział Obsługi Klientów firmy Bose. Należy skorzystać z listy adresów umieszczonej w opakowaniu.

Zalecane narzędzia

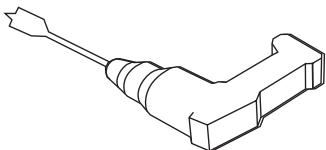
Do przeprowadzenia instalacji wymagane mogą być następujące narzędzia:



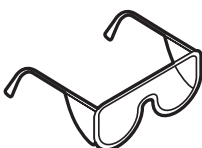
Wkrętak krzyżowy



Narzędzie do wycinania



Wiertarka



Okulary ochronne

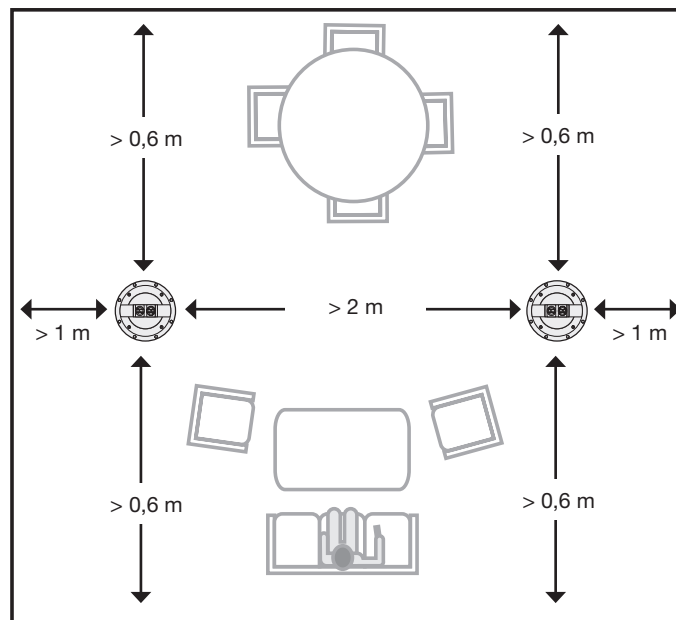
Wymagania dotyczące przewodów głośnikowych

Grubość	Maksymalna długość
18 AWG (0,82 mm ²)	6 m
16 AWG (1,3 mm ²)	9 m
14 AWG (2,1 mm ²)	15 m
12 AWG (3,3 mm ²)	27 m

- Przed instalacją należy wysunąć z sufitu wystarczającą ilość kabla, by umożliwiła ona podłączenie głośnika.
- Zdejmij po 13 mm izolacji z końców obu przewodów.
- Należy zapoznać się z lokalnymi regulaminami budowlanymi i podczas instalacji na suficie należy korzystać wyłącznie z odpowiedniego typu przewodów.
- Aby uzyskać więcej informacji dotyczących instalacji przewodów głośnikowych, należy skonsultować się z profesjonalnym elektrykiem lub instalatorem systemów audio/wideo.

Zalecenia dotyczące rozmieszczenia

Aby zapewnić optymalną reprodukcję obrazu stereo, głośniki należy zainstalować w położeniu zbliżonym do przedstawionego na poniższym schemacie, przy zachowaniu minimalnych sugerowanych odległości:



Uwagi:

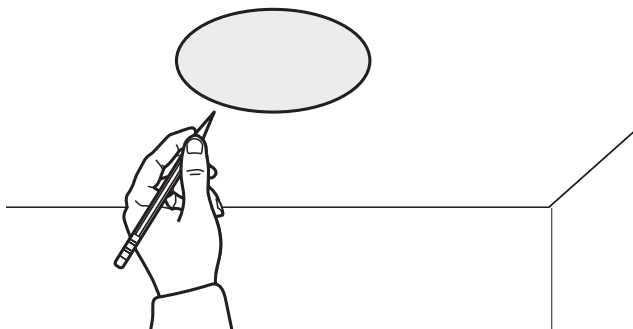
- Należy użyć wykrywacza profili, aby upewnić się, że otwór na głośnik znajduje się co najmniej 12 cm od belki stropowej.
- Głośniki można zamontować wyłącznie na drewnianej ramie lub podobnej konstrukcji. Firma Bose zaleca instalację tych głośników wyłącznie na drewnianej ramie lub podobnej konstrukcji z równomiernie rozmieszczonymi profilami, tak jak w przypadku konstrukcji 2 x 6.

Rozmieszczanie w niedokończonej konstrukcji

Jeśli planowana jest instalacja w niedokończonej konstrukcji, należy kupić zestaw Bose rough in kit. Patrz „Akcesoria” na stronie 7.

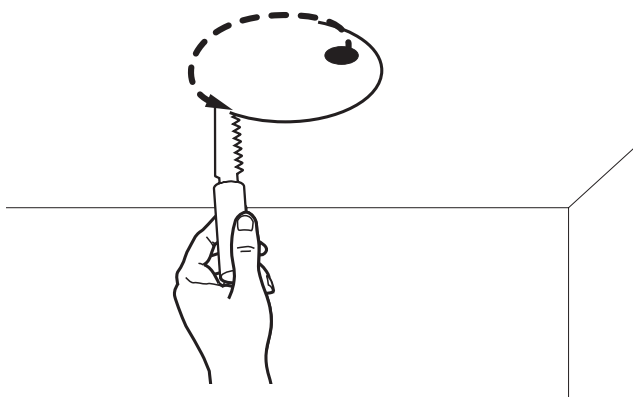
Wycinanie otworu głośnika

1. Obrysuj szablon w miejscu przeznaczonym dla głośnika.



OSTRZEŻENIE: Nie wycinaj otworu w powierzchniach, za którymi mogą znajdować się instalacje takie jak przewody elektryczne lub wodociągowe. W przypadku braku wystarczających umiejętności umożliwiających wykonanie montażu głośnika należy skontaktować się z wykwalifikowanym instalatorem.

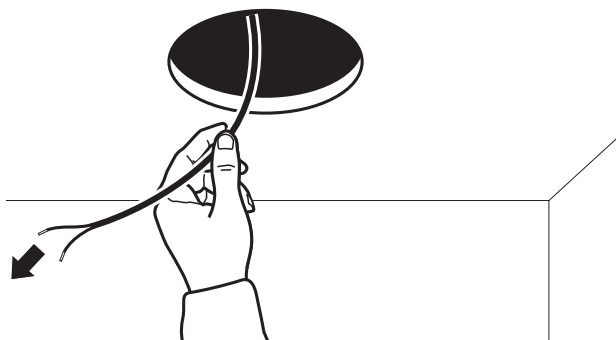
2. Wywierć otwór wewnątrz obszaru obrysowanego za pomocą szablonu. Otwór powinien być wystarczająco duży, by umożliwić wprowadzenie narzędzia do wycinania.
3. Wycinaj wzdłuż linii obrysowanej za pomocą szablonu.



4. Usuń wyciętą część.
5. Usuń odcięty lub nierówny materiał z krawędzi otworu.

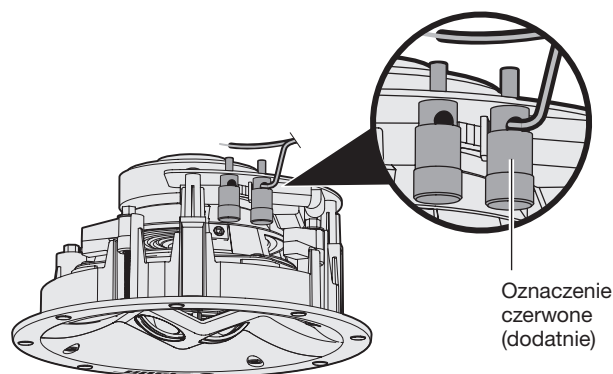
Podłączanie przewodów głośnikowych

1. Wyciągnij co najmniej 36 cm przewodu głośnikowego. Pozostaw wystarczająco dużo przewodu, by móc podłączyć głośnik z miejsca, w którym się znajdujesz.



2. Podłącz przewód dodatni do oznaczonego na czerwono zacisku głośnika.

Uwaga: Oznaczenie zacisku znajduje się na górnej części zacisku.



Oznaczenie czerwone (dodatnie)

Głośnik *Virtually Invisible*® 591

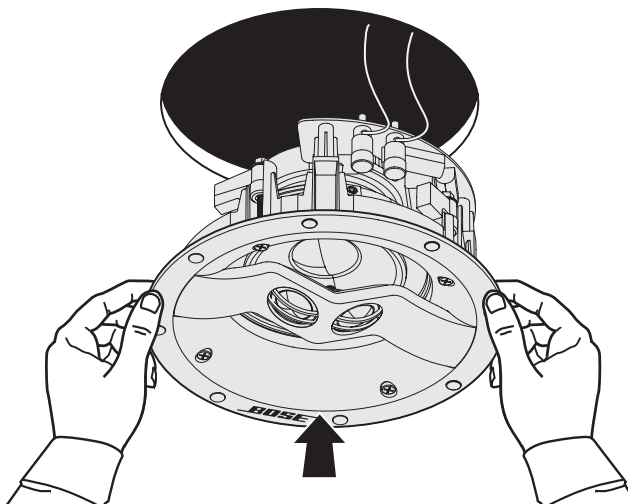
3. Podłącz przewód ujemny do oznaczonego na czarno zacisku głośnika.

Instalacja głośników

Instalacja głośnika

1. Wsuń głośnik do otworu, trzymając go za zewnętrzne krawędzie.

Uwaga: Nie należy naciskać na dwa małe głośniczki znajdujące się z przodu głośnika. Może to spowodować uszkodzenie głośnika.

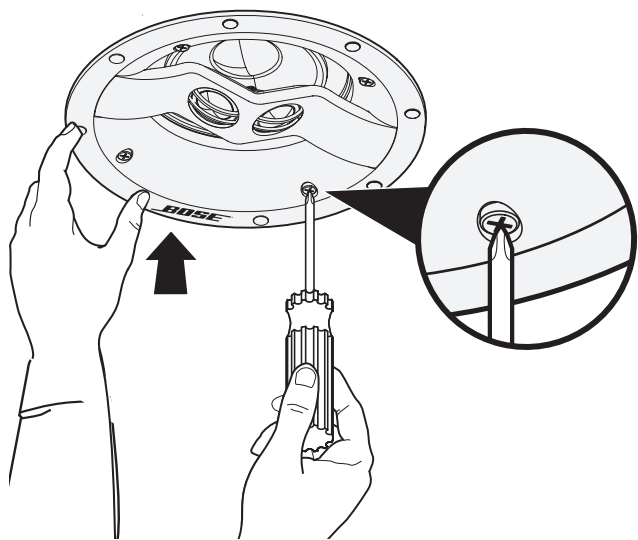


Głośnik *Virtually Invisible*® 591

PRZESTROGA: Niektóre formy izolacji (na przykład okładzina z włosa końskiego, gazety, celuloza lub materiały wdmuchiwane) mogą być przyczyną zapłonu. Należy zadbać o to, by izolacja znajdowała się z dala od głośników.

2. Dokręć wszystkie śruby mocujące przy pomocy wkrętaka krzyżowego.

Uwaga: Podczas korzystania z wiertarki należy ustawić najmniejszą prędkość obrotów.

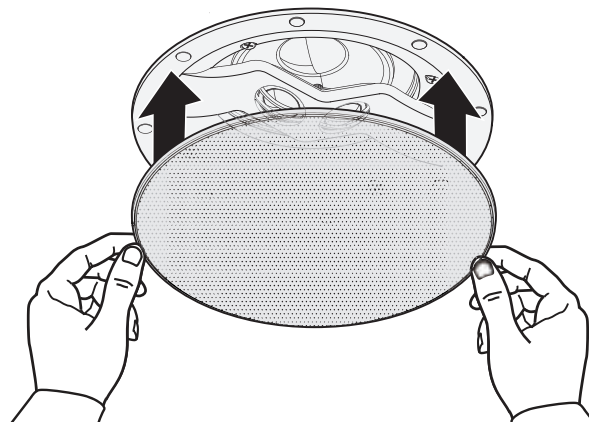


Głośnik *Virtually Invisible*® 591

Mocowanie osłony głośnika

Osłona mocowana jest magnetycznie do obręczy głośnika.

Umieść osłonę na głośniku.



Głośnik *Virtually Invisible*® 591

Malowanie osłony

Osłony głośnika można pomalować przed zamocowaniem ich na głośniku. Firma Bose® nie odpowiada za jakość pokrywania lub wygląd niefabrycznie stosowanych farb.

- Farba lateksowa lub olejna do malowania wewnątrz wymaga rozcieńczenia w celu użycia w pistolecie malarskim. Zapoznaj się z instrukcją obsługi dołączonej do pistoletu malarskiego.
- Należy zachować ostrożność podczas usuwania nadmiaru farby z perforacji osłony za pomocą ostrych narzędzi. Może to doprowadzić do uszkodzenia osłony.

Rozwiązywanie problemów

Problem	Zalecane czynności
Brak dźwięku z głośników	<ul style="list-style-type: none"> Sprawdź, czy przewody głośnikowe nie odłączyły się od głośnika lub odbiornika/wzmacniacza. Sprawdź ustawienia odbiornika/wzmacniacza. Instrukcje dotyczące konfiguracji można znaleźć w podręczniku użytkownika odbiornika/wzmacniacza. Jeśli inne głośniki stereofoniczne są podłączone do drugiego zestawu wyjść audio odbiornika/wzmacniacza, należy wybrać odpowiednie ustawienie głośników A lub B zgodnie z wyjściami A lub B, do których podłączone są głośniki.
Dźwięk dochodzi tylko z jednego głośnika	<ul style="list-style-type: none"> Na odbiorniku/wzmacniaczu ustaw balans na środku. Upewnij się, że przewody w dodatnich i ujemnych zaciskach odbiornika/wzmacniacza nie stykają się. Odłącz przewód głośnika od kanału odbiornika/wzmacniacza i podłącz go do innego kanału. Sprawdź, czy w miejscu podłączenia przewodu głośnikowego do głośnika przewody dodatniego i ujemnego zacisku nie stykają się. Odłącz przewód głośnikowy od głośnika i podłącz go do innego głośnika. Jeśli ten głośnik działa, głośnik, z którym wystąpił problem, wymaga oddania do serwisu. Należy skorzystać z listy adresów umieszczonej w opakowaniu. Jeśli wymienione kroki rozwiązywania problemów nie przyniosły pozytywnego skutku, wymień i zainstaluj ponownie przewód głośnikowy.
Tony niskie/wysokie są mało intensywne	<ul style="list-style-type: none"> Dostosuj ustawienia barwy dźwięku odbiornika/wzmacniacza. Sprawdź, czy nie ma szpary między koszem głośnika a powierzchnią ścienny. Zamień przewody podłączone do dodatniego i ujemnego zacisku odbiornika/wzmacniacza. Odłącz przewód głośnika od kanału odbiornika/wzmacniacza i podłącz go do innego kanału.
Zakłócenia/szum z głośnika	<ul style="list-style-type: none"> Sprawdź, czy przewody głośnikowe są w dobrym stanie, prawidłowo podłączone do głośnika i odbiornika/wzmacniacza oraz czy nie stykają się w obrębie zacisków. Prawidłowo podłącz źródło muzyki do odbiornika/wzmacniacza. Patrz „Dźwięk dochodzi tylko z jednego głośnika”.

Akcesoria

W przypadku nieukończony konstrukcji należy użyć zestawu Bose® rough-in kit.

Zestaw zawiera części dla dwóch głośników i jest przeznaczony do instalacji po umieszczeniu belek stropowych i przed zamontowaniem płyt ściennych. Po zainstalowaniu zestaw zapewnia miejsce dla każdego głośnika i wskazuje, gdzie należy przygotować otwór na głośnik w płycie ściennej.

Aby uzyskać więcej informacji dotyczących zamówienia akcesoriów, należy skontaktować się z Działem Obsługi Klientów firmy Bose. Należy skorzystać z listy adresów umieszczonej w opakowaniu.

Dział Obsługi Klientów

Aby uzyskać dodatkową pomoc związaną z korzystaniem z systemu:

- Odwiedź witrynę owners.Bose.com
- Skontaktuj się z Działem Obsługi Klientów firmy Bose. Należy skorzystać z listy adresów umieszczonej w opakowaniu.

Ograniczona gwarancja

System jest objęty ograniczoną gwarancją. Szczegółowe informacje dotyczące ograniczonej gwarancji są dostępne na dostarczonej razem z urządzeniem karcie rejestracyjnej produktu. Na karcie można również znaleźć informacje dotyczące sposobu rejestracji. Rezygnacja z rejestracji nie ma wpływu na uprawnienia wynikające z ograniczonej gwarancji.

Dołączone do tego produktu informacje na temat gwarancji nie dotyczą Australii i Nowej Zelandii. Szczegółowe informacje dotyczące gwarancji w Australii i Nowej Zelandii można znaleźć pod adresem www.bose.com.au/warranty lub www.bose.com.nz/warranty.

Dane techniczne

Zgodność

Zgodność ze wzmacniaczami lub odbiornikami o mocy 10–100 W na kanał/4 do 8 omów

Virtually Invisible® 791 seria II: 50 W mocy ciągłej wg normy IEC przy 6 omach

Virtually Invisible® 591: 50 W mocy ciągłej wg normy IEC przy 8 omach

Osprzęt głośnika *Virtually Invisible*® 791 seria II:

Dwa kopułkowe głośniki wysokotonowe o średnicy 25,4 mm skonfigurowane w układzie macierzy

Jeden głośnik niskotonowy o dużym skoku o średnicy 178 mm

Osprzęt głośnika *Virtually Invisible*® 591:

Dwa kopułkowe głośniki wysokotonowe o średnicy 19 mm skonfigurowane w układzie macierzy

Jeden głośnik niskotonowy o dużym skoku o średnicy 127 mm

Wymiary głośnika *Virtually Invisible*® 791 seria II:

Średnica: 214 mm

Wymiar w głąb sufitu: 105,2 mm

Średnica maskownicy: 254 mm

Średnica otworu w suficie: 219 mm

Wymiary głośnika *Virtually Invisible*® 591:

Średnica: 166 mm

Wymiar w głąb sufitu: 96,7 mm

Średnica maskownicy: 206 mm

Wymagana średnica otworu w suficie: 170 mm

Waga

Virtually Invisible® 791 seria II: 2,18 kg każdy

Virtually Invisible® 591: 1,45 kg każdy

Instruções de segurança importantes

Leia atentamente este manual do proprietário e guarde-o para referência futura.



ADVERTÊNCIAS:

- Não coloque fontes de chama aberta, como velas acesas, sobre ou próximo do equipamento.
- Todos os produtos Bose® têm de ser usados de acordo com os regulamentos locais, nacionais e da indústria. É da responsabilidade do instalador garantir que a instalação dos alto-falantes e do sistema de montagem seja realizada de acordo com a legislação de construção civil aplicável, inclusive com a legislação de construção civil e as regulamentações locais.
- A montagem não segura ou a suspensão de qualquer carga pesada pode resultar em lesões graves e danos ao equipamento. É de responsabilidade do instalador avaliar a confiabilidade de qualquer método de montagem usado para o aplicativo.



CUIDADOS:

- Estes alto-falantes não foram projetados nem são recomendados para instalação em paredes, em tetos de alvenaria ou em tetos falsos.
- Este produto não deve ser usado em espaços plenos de tratamento de ar.
- Procure na estrutura do produto as marcações relacionadas com segurança.
- Não faça qualquer modificação nos alto-falantes ou nos acessórios. Alterações não autorizadas podem comprometer a segurança, a conformidade com as normas e o desempenho do sistema.
- Mantenha todo o isolamento longe dos alto-falantes de acordo com as instruções de instalação neste manual.



ADVERTÊNCIA: Contém peças pequenas que podem apresentar perigo de engasgo. Não recomendado para menores de 3 anos.



ADVERTÊNCIA: Este produto contém material magnético. Consulte seu médico para esclarecer se isso pode afetar o funcionamento de seu dispositivo médico implantável.

NOTA: Este produto deve ser utilizado em ambientes internos. Ele não foi projetado nem testado para ser usado ao ar livre, em veículos recreativos ou em barcos.

Instruções de segurança importantes

1. Leia estas instruções.
2. Guarde estas instruções.
3. Obedeça a todos os avisos.
4. Siga todas as instruções.
5. Não use este equipamento perto da água.
6. Instale de acordo com as instruções do fabricante.
7. Não o instale próximo a fontes de calor, como radiadores, registros de calor, fogões ou outros equipamentos (incluindo amplificadores) que produzam calor.
8. Use apenas acessórios especificados pelo fabricante.

Nomes e conteúdo de substâncias ou elementos tóxicos ou perigosos						
Nome da peça	Substâncias e elementos tóxicos ou perigosos					
	Chumbo (Pb)	Mercúrio (Hg)	Cádmio (Cd)	Hexavalente (CR(VI))	Bifenilos polibromados (PBB)	Éter difenílico polibromado (PBDE)
Placas de circuitos integrados	X	O	O	O	O	O
Peças metálicas	X	O	O	O	O	O
Peças de plástico	O	O	O	O	O	O
Alto-falantes	X	O	O	O	O	O
Cabos	X	O	O	O	O	O

Esta tabela foi elaborada de acordo com as disposições da norma SJ/T 11364.
O: Indica que esta substância tóxica ou perigosa contida em todos os materiais homogêneos desta peça está abaixo do limite em GB/T 26572.
X: Indica que esta substância tóxica ou perigosa contida em pelo menos um dos materiais homogêneos utilizados nesta peça está acima do limite em GB/T 26572.



Este símbolo indica que o produto não deve ser descartado com o lixo doméstico e deve ser entregue em um local de coleta apropriado para reciclagem. O descarte adequado e a reciclagem ajudam a proteger os recursos naturais, a saúde humana e o meio ambiente. Para obter mais informações sobre o descarte e a reciclagem deste produto, entre em contato com a prefeitura, o serviço de descarte, o serviço de coleta de lixo do local ou a loja onde você comprou este produto.



A Bose Corporation declara pela presente que este produto está de acordo com os requisitos essenciais, bem como outras provisões relevantes, da Diretiva 1999/5/EC e todos os outros requisitos de diretivas aplicáveis da União Europeia. O texto completo da Declaração de Conformidade encontra-se em www.Bose.com/compliance

Importador da China: Bose Electronics (Shanghai) Company Limited, Part C, Plan 9, No. 353 North Ruying Road, China (Shanghai) Pilot Free Trade Zone

Importador CE: Bose Products B.V., Gorslaan 60, 1441 RG Purmerend, The Netherlands

Importador de Taiwan: Bose Taiwan Branch, Room 905, 9F, Worldwide House, 131 Min Sheng East Rd, Section 3, Taipei, Taiwan, 105

Preencha e guarde para referência futura:

Número do modelo: _____

Número de série: _____

Data da compra: _____

Sugerimos que guarde a sua fatura com este manual do proprietário.

Data de fabricação:

O primeiro dígito em negrito no número de série indica o ano de fabricação: "5" corresponde a 2005 ou 2015.

VIRTUALLY INVISIBLE é uma marca comercial registrada da Bose Corporation nos Estados Unidos e em outros países.

© 2017 Bose Corporation. Nenhuma parte deste documento pode ser reproduzida, modificada, distribuída ou utilizada de qualquer outra forma sem a prévia autorização por escrito.

Introdução

Sobre os alto-falantes de embutir no teto <i>Virtually Invisible</i> ® 791 série II ou 591	4
Conteúdo da embalagem	4
Ferramentas recomendadas	4
Requisitos de fios de alto-falante	4
Diretrizes de posicionamento	4
Instalação em construções inacabadas	4

Instalação dos alto-falantes

Fazendo o buraco do alto-falante	5
Conectando o fio do alto-falante	5
Instalação do alto-falante	6
Acoplando a grelha	6

Cuidados e manutenção

Solução de problemas	7
Acessórios	7
Serviço de atendimento ao cliente	7
Garantia limitada	7
Informações técnicas	7

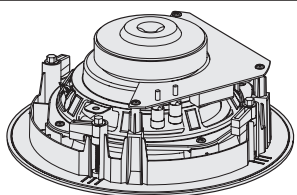
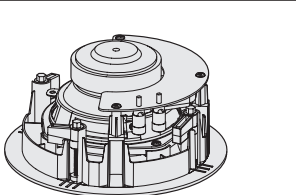
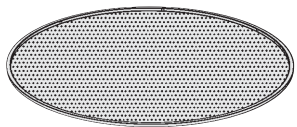
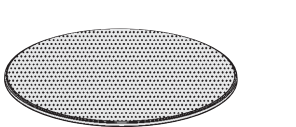

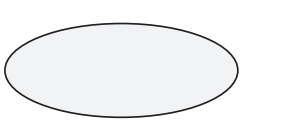
Introdução

Sobre os alto-falantes de embutir no teto *Virtually Invisible*® 791 série II ou 591

Os alto-falantes de embutir no teto Bose® *Virtually Invisible*® 791 série II ou 591 proporcionam um desempenho superior na transmissão de música estéreo e em sistemas de home theater.

Conteúdo da embalagem

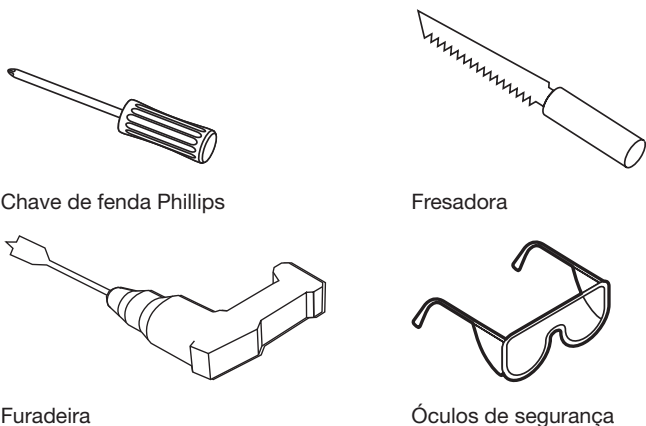
Retire cuidadosamente os elementos da embalagem e confirme se as seguintes peças estão incluídas:

Alto-falantes <i>Virtually Invisible</i> ® 791 série II	Alto-falantes <i>Virtually Invisible</i> ® 591
 Dois alto-falantes	 Dois alto-falantes
 Duas grelhas para alto-falantes	 Duas grelhas para alto-falantes
 Gabarito	 Gabarito

Observação: Se parte do sistema estiver danificada, não o utilize. Fale com seu fornecedor autorizado Bose® ou com o atendimento ao cliente da Bose. Consulte a folha de contatos na embalagem.

Ferramentas recomendadas

Provavelmente você precisará das seguintes ferramentas para realizar a instalação:



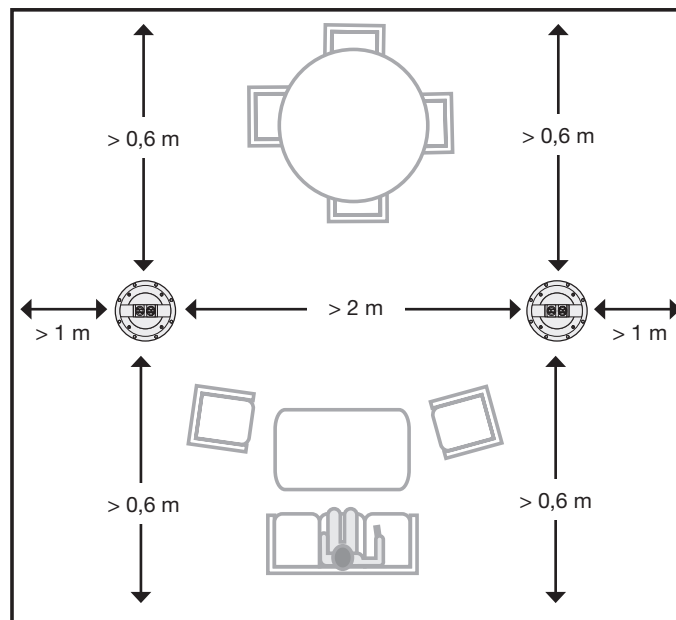
Requisitos de fios de alto-falante

Bitola	Comprimento máximo
18 AWG (0,82 mm ²)	6 m
16 AWG (1,3 mm ²)	9 m
14 AWG (2,1 mm ²)	15 m
12 AWG (3,3 mm ²)	27 m

- Deixe um comprimento de fio suficiente do teto para conectar os alto-falantes antes da instalação.
- Retire 13 mm do isolamento de cada uma das pontas dos fios.
- Consulte a legislação local de construção civil e use somente o tipo de fio correto para a instalação embutida no teto.
- Para obter informações sobre como instalar os fios dos alto-falantes, consulte um electricista ou instalador de áudio/vídeo profissional.

Diretrizes de posicionamento

Para obter o desempenho estéreo ideal, instale os alto-falantes em posições similares ao diagrama abaixo a no mínimo das distâncias sugeridas:



Observações:

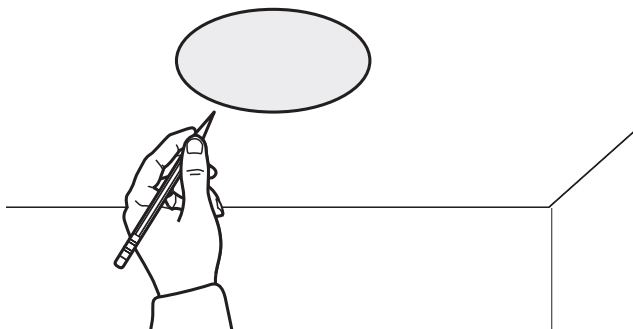
- Use um localizador de vigas para garantir que o buraco do alto-falante fique a no mínimo 12 cm de distância de uma viga.
- Monte estes alto-falantes em uma armação de madeira ou de construção similar. A Bose recomenda instalar esses alto-falantes somente em armação de madeira ou construção similar com vigas devidamente espaçadas, como as encontradas em construções 2 x 6.

Instalação em construções inacabadas

Se você estiver planejando instalar em uma construção inacabada, adquira o kit de reforço da Bose. Consulte "Acessórios" na página 7.

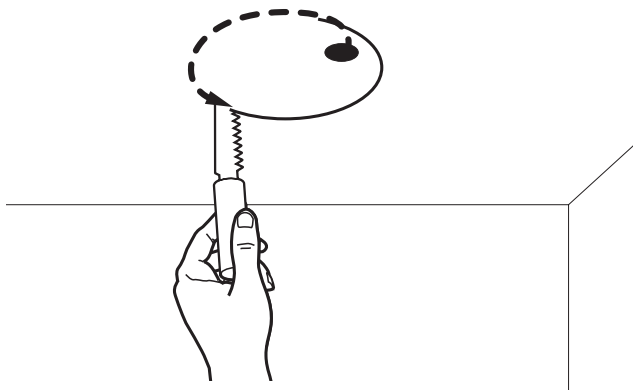
Fazendo o buraco do alto-falante

1. Trace o gabarito no local do alto-falante.



ADVERTÊNCIA: Não perfure superfícies que tenham perigos escondidos atrás delas, como fiação elétrica ou tubulação. Se você não se sente seguro para montar este alto-falante, contrate um instalador profissional.

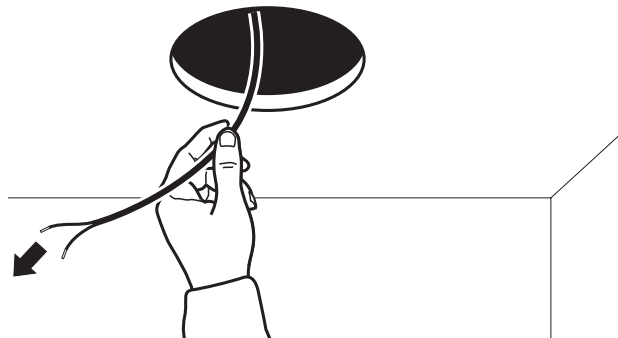
2. Faça um buraco na área do gabarito que seja grande o suficiente para sua fresadora.
3. Corte ao longo da linha traçada.



4. Remova a seção cortada.
5. Remova qualquer material rasgado ou áspero em torno do buraco.

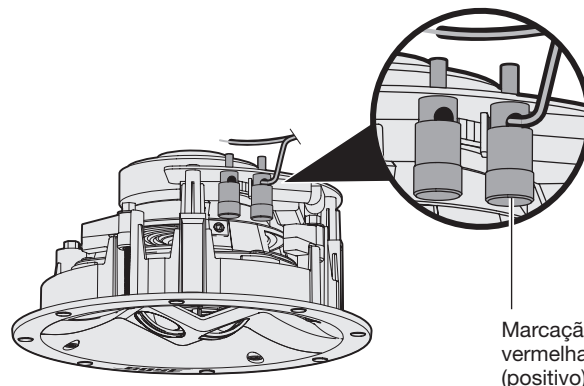
Conectando o fio do alto-falante

1. Puxe pelo menos 36 cm do fio do alto-falante para fora. Deixe um comprimento de fio para conectar o alto-falante a partir de onde você está.



2. Conecte o fio positivo ao terminal marcado em vermelho no alto-falante.

Observação: A marcação do terminal está localizada em cima do terminal.



Marcação vermelha (positivo)

Alto-falante *Virtually Invisible*® 591

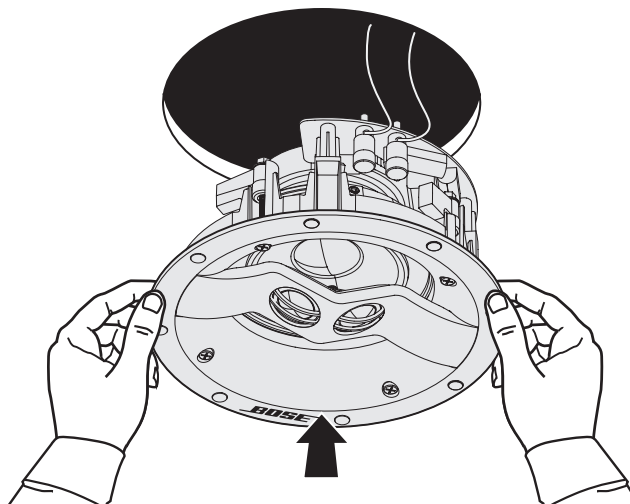
3. Conecte o fio negativo ao terminal marcado em preto no alto-falante.

Instalação dos alto-falantes

Instalação do alto-falante

1. Segurando as extremidades externas, insira o alto-falante no buraco.

Observação: Não pressione os dois drivers pequenos na frente do alto-falante. Isso pode danificar o alto-falante.

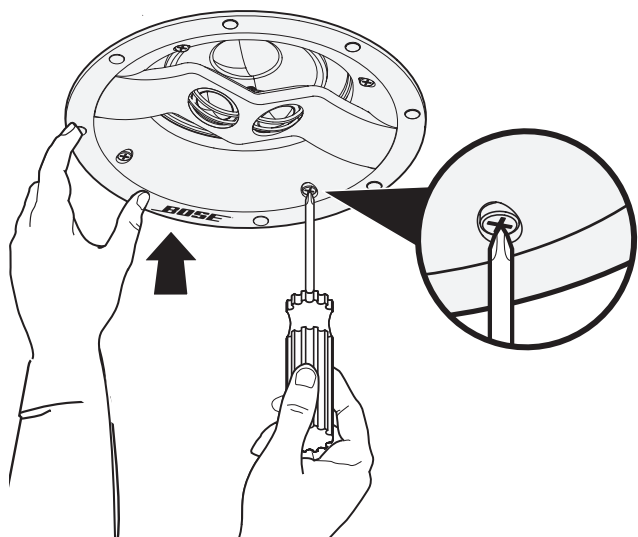


Alto-falante *Virtually Invisible*® 591

CUIDADO: Certas formas de isolamento (como gesso com crina de cavalo, jornal, celulose ou materiais infláveis) podem apresentar um risco de ignição. Mantenha todo o isolamento longe dos alto-falantes.

2. Aperte todos os parafusos das braçadeiras com uma chave de fenda Phillips.

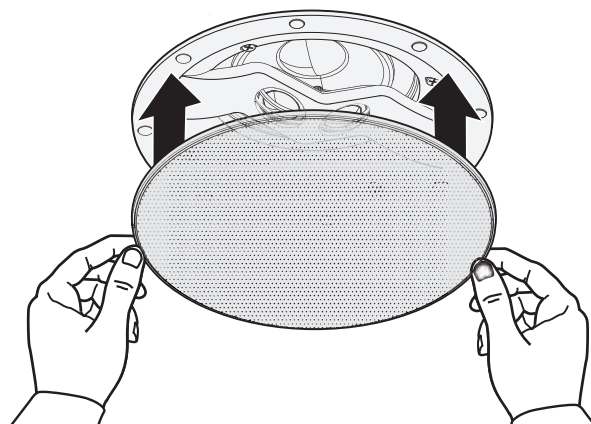
Observação: Se estiver usando uma furadeira, escolha o menor ajuste de torque.



Alto-falante *Virtually Invisible*® 591

Acoplando a grelha

A grelha se acopla magneticamente à borda do alto-falante. Coloque a grelha no alto-falante.



Alto-falante *Virtually Invisible*® 591

Pintando a grelha

Você pode pintar as grelhas do alto-falante antes de acoplá-las. A Bose® não é responsável pela qualidade da aderência ou do acabamento das tintas não aplicadas na fábrica.

- Tinta à base de látex ou óleo requer refinamento para uso com uma pistola de tinta alimentada por sifão. Consulte as instruções no manual do proprietário fornecido com sua pistola de tinta.
- Tenha cuidado ao usar um implemento afiado nas perfurações da grelha para remover acúmulo de tinta, pois isso pode danificar a grelha.

Solução de problemas

Problema	O que fazer
Os alto-falantes não emitem sons	<ul style="list-style-type: none"> • Assegure-se de que os fios dos alto-falantes não se desconectem nem dos alto-falantes nem do receptor/amplificador. • Verifique as configurações do receptor/amplificador. Consulte as instruções de configuração no manual do proprietário do receptor/amplificador. • Se outros alto-falantes estéreo estiverem conectados a um segundo conjunto de saídas de áudio do receptor/amplificador, selecione a configuração de alto-falante A ou BR adequada para as saídas A ou B conectadas aos alto-falantes.
O som sai apenas de um alto-falante	<ul style="list-style-type: none"> • Centralize o controle de balanço do receptor/amplificador. • Certifique-se de que os fios dos terminais positivos e negativos no receptor/amplificador não estejam em contato. • Desconecte o fio do alto-falante do canal do receptor/amplificador e reconecte-o a um canal diferente. • Verifique se os fios dos terminais positivos e negativos ficam em contato quando o fio do alto-falante é conectado ao alto-falante. • Desconecte o fio do alto-falante e reconecte-o a outro alto-falante. Se esse alto-falante funcionar, o outro alto-falante precisa ser reparado. Consulte a folha de contatos na embalagem. • Substitua e reinstale o fio do alto-falante se estas etapas de resolução de problemas não funcionarem.
Os graves/agudos estão fracos	<ul style="list-style-type: none"> • Ajuste a configuração de balanço de tons do receptor/amplificador. • Certifique-se de que não haja vãos entre a armação do alto-falante e a superfície da parede. • Troque os fios conectados aos terminais positivos e negativos no receptor/amplificador. • Desconecte o fio do alto-falante do canal do receptor/amplificador e reconecte-o a um canal diferente.
Estática/ruído do alto-falante	<ul style="list-style-type: none"> • Verifique se os fios estão em boas condições, bem conectados ao alto-falante e ao receptor/amplificador e não estão tocando os terminais. • Conecte a fonte de música ao receptor/amplificador corretamente. • Consulte "O som sai apenas de um alto-falante".

Acessórios

Para construções inacabadas, use o kit de reforço da Bose®.

O kit contém peças para dois alto-falantes e foi projetado para instalação após a colocação das vigas e antes de o gesso ser aplicado. Quando instalado, o kit reserva um lugar para cada alto-falante e indica onde fazer o buraco para os alto-falantes no gesso.

Para obter mais informações ou encomendar acessórios, entre em contato com o serviço de atendimento ao cliente da Bose. Consulte a folha de contatos na embalagem.

Serviço de atendimento ao cliente

Para obter ajuda adicional sobre o uso do sistema:

- Visite owners.Bose.com
- Entre em contato com o serviço de atendimento ao cliente da Bose. Consulte a folha de contatos na embalagem.

Garantia limitada

Seu sistema é coberto por uma garantia limitada. Os detalhes da garantia limitada são fornecidos no cartão de registro do produto, que está na embalagem. Consulte as instruções de registro do produto no cartão. O não-registro do produto não afeta seus direitos concedidos pela garantia.

As informações de garantia fornecidas com este produto não se aplicam na Austrália e na Nova Zelândia. Consulte nosso site em www.Bose.com.au/warranty ou www.Bose.co.nz/warranty para obter detalhes sobre a garantia na Austrália e na Nova Zelândia.

Informações técnicas

Compatibilidade

Compatível com amplificadores ou receptores com potência nominal de 10-100 W por canal/nominal de 4 a 8 ohms

Virtually Invisible® 791 série II: Fonte de alimentação contínua de 50 W IEC; nominal de 6 ohms

Virtually Invisible® 591: Fonte de alimentação contínua de 50 W IEC; nominal de 8 ohms

Complemento do driver *Virtually Invisible*® 791 série II:

Dois tweeters de cúpula de 25,4 mm configurados em uma matriz

Um woofer de alta excursão de 178 mm

Complemento do driver *Virtually Invisible*® 591:

Dois tweeters de cúpula de 19 mm configurados em uma matriz

Um woofer de alta excursão de 127 mm

Dimensões do *Virtually Invisible*® 791 série II:

Diâmetro: 214 mm

Profundidade no teto: 105,2 mm

Diâmetro da grelha: 254 mm

Dimensões do buraco no teto: 219 mm

Dimensões do *Virtually Invisible*® 591:

Diâmetro: 166 mm

Profundidade no teto: 96,7 mm

Diâmetro da grelha: 206 mm

Diâmetro necessário do buraco no teto: Diâmetro de 170 mm

Peso

Virtually Invisible® 791 série II: 2,18 kg cada

Virtually Invisible® 591: 1,45 kg cada

Viktiga säkerhetsanvisningar

Läs igenom bruksanvisningen noggrant och spara den för att kunna referera till den i framtiden.



VARNINGAR!

- Tända ljus eller andra föremål med öppna lågor får inte placeras på eller i närheten av produkten.
- Alla Bose-produkter måste användas enligt lokala lagar och bestämmelser. Det är installatörens ansvar att högtalarinstallationen och monteringen av systemet utförs enligt gällande lagar och regler, inklusive lokala bestämmelser och förordningar i byggnaden.
- Osäker montering eller montering över huvudhöjd av tunga föremål kan leda till allvarlig kroppsskada eller egendomsskada. Det åligger installatören att fastställa vilken monteringsmetod som är den mest lämpliga.



TÄNK PÅ:

- Dessa högtalare är inte avsedda att installeras på väggar, i murade tak eller på innertak.
- Den här produkten är inte avsedd att användas i ventilationsutrymmen.
- Se de säkerhetsrelaterade markeringarna på produktens hölje.
- Ändra inte systemet eller högtalarna på något sätt. Otillåtna ändringar kan äventyra säkerheten, efterlevandet av bestämmelser samt systemets prestanda.
- Se till att ingen isolering kommer i kontakt med högtalarna. Se anvisningarna i den här bruksanvisningen.



VARNING! Produkten innehåller små delar som kan orsaka kvävning. Inte lämplig för barn under 3 år.



VARNING! Produkten innehåller magnetiska material. Kontakta din läkare om du har frågor om huruvida produkten kan påverka implantat av medicinsk enhet.

OBS! Den här produkten får bara användas inomhus. Den är varken utformad eller testad för användning utomhus, i nöjesfordon eller i marina miljöer.

Viktiga säkerhetsanvisningar

1. Läs de här anvisningarna.
2. Behåll anvisningarna.
3. Ge akt på alla varningar.
4. Följ alla anvisningar.
5. Använd inte produkten i närheten av vatten.
6. Installera produkten i enlighet med tillverkarens anvisningar.
7. Installera inte produkten nära en värmekälla (som t.ex. radiator, värmespjäll och spisar) eller annan produkt (inklusive förstärkare) som avger värme.
8. Använd bara den utrustning/de tillbehör som rekommenderas av tillverkaren.

Namn och innehåll på giftiga eller farliga ämnen eller delar						
Namn	Giftiga eller farliga ämnen och delar					
	Bly (Pb)	Kvicksilver (Hg)	Kadmium (Cd)	Sexvärt krom (CR(VI))	Polyklorerad bifenyli (PBB)	Polyklorerad diphenyli ether (PBDE)
PCB:er	X	O	O	O	O	O
Metall	X	O	O	O	O	O
Plast	O	O	O	O	O	O
Högtalare	X	O	O	O	O	O
Kablar	X	O	O	O	O	O

Den här tabellen är uppställd i enlighet med bestämmelserna i SJ/T 11364.
O: Anger att detta giftiga eller farliga ämne som ingår i alla homogena material i den här artikeln ligger under gränsvärdena uppställda i GB/T 26572.
X: Anger att detta giftiga eller farliga ämne som ingår i minst ett av de homogena materialen i den här artikeln ligger över gränsvärdena uppställda i GB/T 26572



Den här symbolen betyder att produkten inte ska kastas med hushållssoporna utan återvinnas i enlighet med lokala bestämmelser. Rätt deponering och återvinning hjälper till att skydda våra naturresurser, vår hälsa och miljö. Mer information om deponering och återvinning av produkten får du om du kontaktar lokala myndigheter, deponeringscentraler eller affären där du köpte produkten.



Härmed förklarar Bose Corporation att denna produkt i alla väsentliga avseenden uppfyller de krav och föreskrifter som uppställts enligt direktivet 1999/5/EG och andra tillämpliga EG-direktiv. En komplett försäkran om överensstämmelse finns på www.bose.com/compliance

Kinaimportör: Bose Electronics (Shanghai) Company Limited, Part C, Plan 9, No. 353 North Ruyi Road, Kina (Shanghai) Pilot Free Trade Zone
EU-importör: Bose Products B.V., Gorslaan 60, 1441 RG Purmerend, Nederländerna
Taiwanimportör: Bose Taiwan Branch, Room 905, 9F, Worldwide House, 131 Min Sheng East Rd, Section 3, Taipei, Taiwan, 105

Fyll i uppgifterna och håll reda på var du förvarar dem:

Modellnummer: _____

Serienummer: _____

Inköpsdatum: _____

Vi föreslår att du sparar inköpskvittot tillsammans med den här bruksanvisningen.

Tillverkningsdatum:

Den första siffran i fet stil i serienumret visar tillverkningsåret; "5" är 2005 eller 2015.

VIRTUALLY INVISIBLE är ett registrerat varumärke som tillhör Bose Corporation i USA och andra länder.

© 2017 Bose Corporation. Ingen del av detta dokument får återges, modifieras, distribueras eller användas på något annat sätt utan föregående skriftlig tillåtelse.

Inledning

Om dina väggmonterade <i>Virtually Invisible</i> ® 791- eller 591-högtalare	4
Uppackning.....	4
Rekommenderade verktyg	4
Krav för högtalarledningarna.....	4
Riktlinjer för placering	4
Placering i ej färdigställda konstruktioner	4

Installera högtalarna

Skära ut hålet för högtalarna	5
Ansluta högtalarledningarna	5
Installera högtalaren	6
Sätta fast gallret.....	6

Skötsel och underhåll

Felsökning.....	7
Tillbehör	7
Kundtjänst.....	7
Begränsad garanti	7
Teknisk information	7

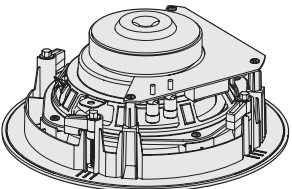
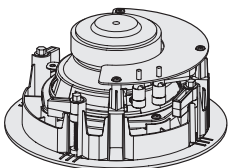

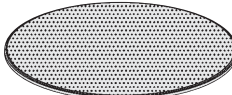


Inledning

Om dina väggmonterade *Virtually Invisible*® 791- eller 591-högtalare

Dessa Bose® *Virtually Invisible*® 791 series II- eller 591 in-ceiling-högtalare ger dig överlägsen prestanda när du lyssnar på dina stereoinspelningar.

Uppackning

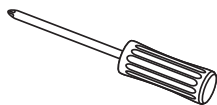
Packa försiktigt upp kartongen och kontrollera att följande delar finns med:

<i>Virtually Invisible</i> ® 791 series II-högtalare	<i>Virtually Invisible</i> ® 591 högtalare
	
Två högtalare	Två högtalare
	
Två högtalargaller	Två högtalargaller
	
Mall	Mall

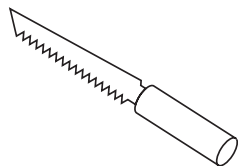
Obs! Om någon del av systemet är skadad ska du inte använda den. Kontakta en Bose®-återförsäljare eller Bose kundtjänst. Se adresslistan som finns i kartongen.

Rekommenderade verktyg

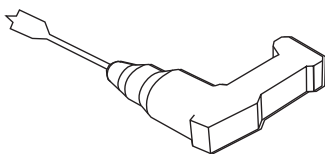
Du behöver följande verktyg för att slutföra installationen:



Kryssmejsel



Skärverktyg



Borrmaskin



Skyddsglasögon

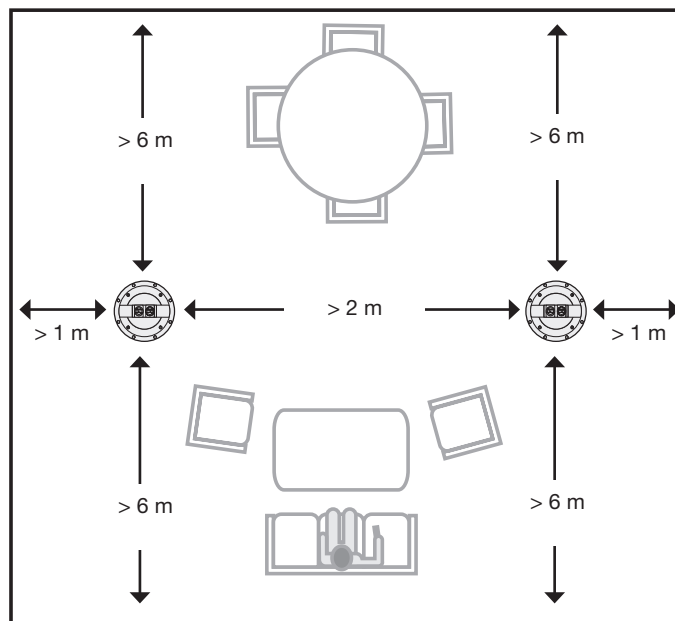
Krav för högtalarledningar

Tjocklek	Maximal längd
18 AWG (0,82 mm ²)	6 m
16 AWG (1,3 mm ²)	9 m
14 AWG (2,1 mm ²)	15 m
12 AWG (3,3 mm ²)	27 m

- Lämna tillräckligt med ledning för takanslutningen av högtalarna innan de installeras
- Skala av 13 mm av isoleringen i båda ändarna av ledningarna.
- Kontrollera vilka lokala bestämmelser som gäller för ledningar som ska installeras i tak.
- Mer information om installation av högtalareldningar får du om du frågar en elektriker eller en ljud/videoinstallatör.

Riktlinjer för placering

Du får ut optimal stereoprestanda av högtalarna om de installeras enligt figuren nedan:



Obs!

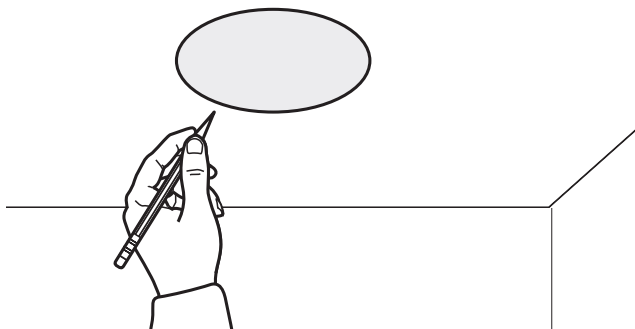
- Använd en regeldetektor för att säkerställa att hålen för högtalaren är minst 12 cm från närmaste regel.
- Montera högtalarna endast i trästommar eller liknande material. Bose rekommenderar att högtalarna endast installeras i träkonstruktioner eller liknande material med regler med jämna mellanrum enligt normal standard.

Placering i ej färdigställda konstruktioner

Om du planerar att utföra installationen i ej färdigställda konstruktioner bör du köpa Bose speciella installationskit. Se "Tillbehör" på sidan 7.

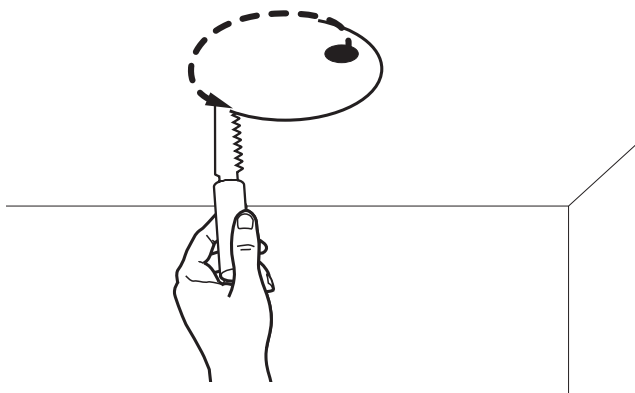
Skära ut hålet för högtalarna

1. Använd mallen för att märka ut högtalarens placering.



WARNING! Gör inte hål i väggar där det finns risk att det kan förekomma elektriska ledningar eller vattenledningar. Om du är osäker på om du kan montera högtalarna ska du kontakta en professionell montör.

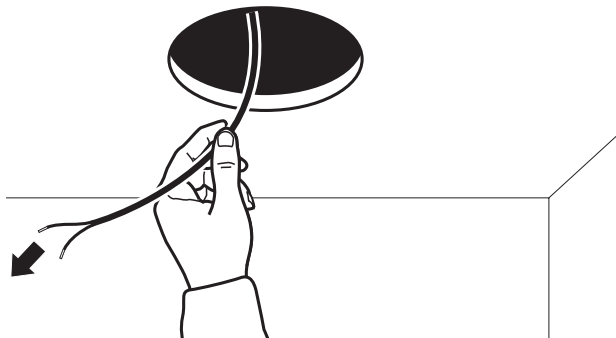
2. Borra ett hål innanför markeringen. Hålet ska vara så stort att du får plats för skärverktyget.
3. Skär/såga längs den uppritade linjen.



4. Ta bort den utskurna biten.
5. Ta bort ojämnheter runt hålet.

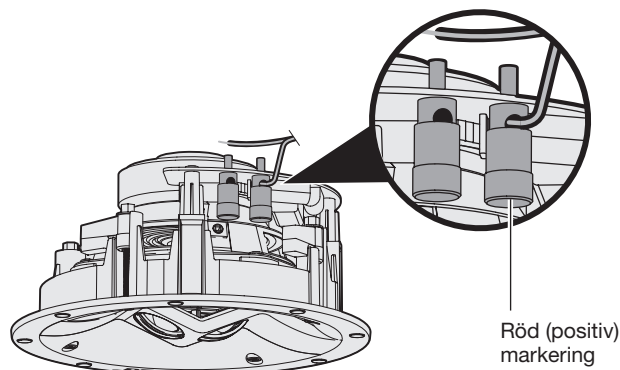
Ansluta högtalarledningarna

1. Dra ut minst 36 cm av högtalarledningen.
Se till att det finns tillräckligt mycket ledning för att klara anslutningen.



2. Anslut den positiva ledningen till det rödmarkerade uttaget på högtalaren.

Obs! Uttagsmarkeringen hittar du högst upp på uttaget.



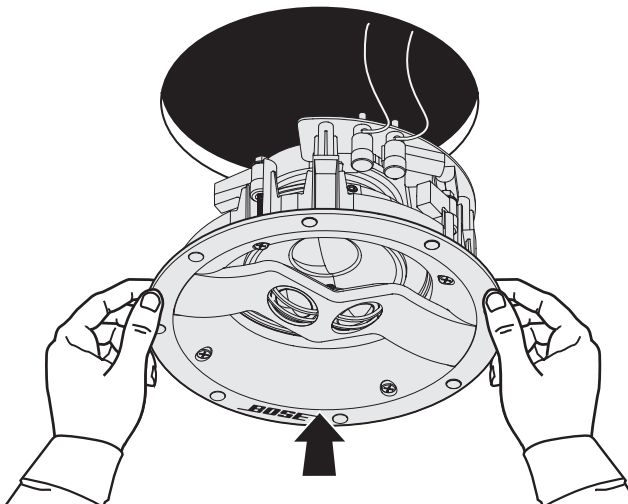
Virtually Invisible® 591-högtalare

3. Anslut den negativa ledningen till det svartmarkerade uttaget på högtalaren.

Installera högtalarna

Installera högtalaren

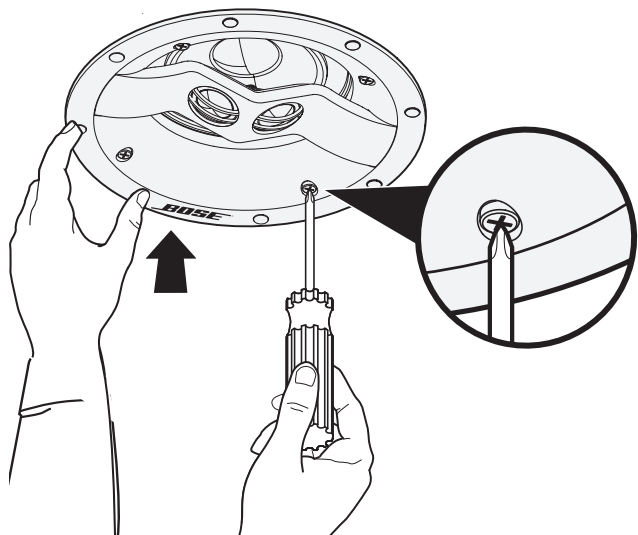
1. Håll i kanterna på högtalaren och för in högtalaren i hålet.
Obs! Tryck inte på de två små drivstegen på framsidan av högtalaren. Detta kan medföra att högtalarna skadas.



Virtually Invisible® 591-högtalare

TÄNK PÅ: Vissa isoleringsmaterial (hästtagel, tidningar, cellulosa eller lössullsmaterial) kan vara lättantändliga. Se till att ingen isolering kommer i kontakt med högtalarna.

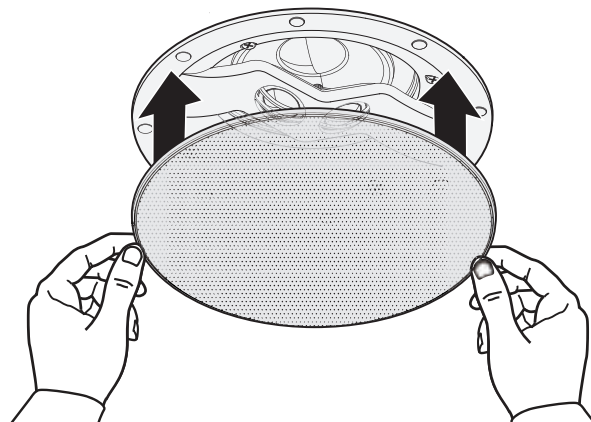
2. Skruva fast alla skruvarna med en stjärnskruvmejsel.
Obs! Om du använder en skruvdragare ska du använda det lägsta vridmomentet.



Virtually Invisible® 591-högtalare

Sätta fast gallret

Gallret är magnetiskt och fäster mot kanten på högtalaren. Sätt gallret över högtalaren.



Virtually Invisible® 591-högtalare

Måla gallret

Du kan måla gallret innan du sätter fast det. Bose® har inget ansvar för vidhäftningskvaliteten och strukturen på färger som inte appliceras enligt gällande praxis.

- För latexfärg eller oljebaserad färg krävs förtunning om du vill använda en färgspruta. Se instruktionerna till färgsprutan för att få anvisningar om tillvägagångssätt.
- Använd inte vassa föremål för att ta bort färg i perforeringarna i gallret eftersom gallret kan skadas.

Felsökning

Problem	Åtgärd
Inget ljud från högtalarna	<ul style="list-style-type: none"> Kontrollera att högtalarledningarna fortfarande är anslutna till högtalarna eller mottagaren/förstärkaren. Kontrollera inställningarna på mottagaren/förstärkaren. I mottagarens eller förstärkarens handbok finns information om inställningar. Om det finns andra stereohögtalare anslutna till andra ljudutgångar på förstärkaren/mottagaren ska du kontrollera att rätt A- eller B-högtalarinställningar är inställda för A- eller B-anslutningarna för dina högtalare.
Ljud hörs endast från en högtalare.	<ul style="list-style-type: none"> Ställ mottagarens eller förstärkarens balansreglage i mittpositionen. Kontrollera att ledningarna vid det positiva och negativ uttaget på mottagaren/förstärkaren inte vidrör varandra. Koppla ur högtalarledningen från mottagaren/förstärkaren och anslut den till en annan mottagar-/förstärkarkanal. Kontrollera att inga ledningar från de positiva och negativa uttagen vidrör varandra där ledningarna ansluts till högtalaren. Koppla ur högtalarledningen från högtalaren och anslut den till den andra högtalaren. Om högtalaren fungerar beror problemet på den första högtalaren, som då måste åtgärdas. Se adresslistan som finns i kartongen. Ta bort och återanslut högtalarna om dessa steg inte löser problemet.
Basen eller diskanten är för svag	<ul style="list-style-type: none"> Kontrollera tonbalansinställningen för mottagaren/förstärkaren. Kontrollera att det inte finns något mellanrum mellan högtalarens ram och väggen. Växla ledningarna som går till det positiva respektive negativa uttaget på mottagaren/förstärkaren. Koppla ur högtalarledningen från mottagaren/förstärkaren och anslut den till en annan mottagar-/förstärkarkanal.
Störningar/ brus från högtalare	<ul style="list-style-type: none"> Kontrollera att ledningarna har god prestanda, att de är säkert anslutna till högtalaren och mottagaren/förstärkaren samt att de inte vidrör varandra vid uttagen. Anslut musikkällan till mottagaren/förstärkaren korrekt. Se "Ljud hörs endast från en högtalare."

Tillbehör

Använd Bose® Rough-in Kit om du vill installera högtalarna innan grundkonstruktionen är på plats.

Tillbehöret innehåller två högtalare och är avsett att installeras efter det att reglarna är på plats och innan takmaterialet har satts fast. När det är installerat reserveras ett utrymme för varje högtalare och det framgår dessutom var du ska göra hål för högtalarna.

Kontakta Bose kundtjänst om du vill ha mer information om eller beställa tillbehör. Se adresslistan som finns i kartongen.

Kundtjänst

Om du behöver veta mer om hur du använder systemet ska du:

- Besök owners.Bose.com
- Kontakta Bose kundtjänst. Se adresslistan som finns i kartongen.

Begränsad garanti

Systemet täcks av en begränsad garanti. Mer information om den begränsade garantin finns på produktregistreringskortet som ligger i förpackningen. På kortet får du reda på hur du registrerar produkten. Dina garantirättigheter påverkas inte om du inte gör det.

Den garantiinformation som medföljer den här produkten gäller inte i Australien och Nya Zeeland. På webbplatsen www.Bose.com.au/warranty och www.Bose.co.nz/warranty finns information om vilka garantier som gäller för Australien och Nya Zeeland.

Teknisk information

Kompatibilitet

Kompatibilitetsuppgifter gällande förstärkare och mottagare.

10-100 W per kanal/impedans 4 till 8 ohm

Virtually Invisible® 791 series II: 50 W IEC kontinuerlig märkeffekt, märkt för 6 ohm

Virtually Invisible® 591: 50 W IEC kontinuerlig märkeffekt, märkt för 8 ohm

Drivstegskomplement för *Virtually Invisible*® 791 series II-högtalare:

Två 25,4 mm dome-tweeters konfigurerade i en uppsättning

En 178 mm woofer-högtalare med hög slaglängd

Drivstegskomplement för *Virtually Invisible*® 591:

Två 19 mm dome-tweeters konfigurerade i en uppsättning

En 127 mm woofer-högtalare med hög slaglängd

Virtually Invisible® 791 series II-högtalare

Diameter: 214 mm

Monteringsdjup i taket: 105,2 mm

Gallerdiameter: 254 mm

Diameter för takhål: 219 mm

Virtually Invisible® 591, mått:

Diameter: 166 mm

Monteringsdjup i taket: 96,7 mm

Gallerdiameter: 206 mm

Diameterkrav för takhål: 170 mm diameter

Vikt

Virtually Invisible® 791 series II: 2,18 kg var

Virtually Invisible® 591: 1,45 kg var

คำแนะนำด้านความปลอดภัยที่สำคัญ

โปรดอ่านคู่มือผู้ใช้อย่างละเอียดและเก็บรักษาไว้สำหรับการอ้างอิงในภายหลัง



คำเตือน:

- อย่าวางสิ่งที่ถูกใหม่ใดๆ เช่น เทียนไขที่จุดไฟ ไวบนหรือใกล้กับผลิตภัณฑ์
- ผลิตภัณฑ์ Bose® ทั้งหมดต้องใช้งานโดยสอดคล้องตามข้อกำหนด ในท้องถิ่น ข้อกำหนดของรัฐ รัฐบาลกลาง และข้อกำหนดอุตสาหกรรม ผู้ติดตั้งต้องรับผิดชอบในการติดตั้งลำโพงและระบบติดตั้งทั้งหมด ให้เป็นไปตามข้อกำหนดของอาคาร รวมถึงข้อกำหนดและระเบียบของอาคารในแต่ละพื้นที่
- การติดตั้งวัตถุหรือชุดกันสะเทือนเหนือศีรษะที่มีน้ำหนักมากอย่าง ไม่ปลอดภัยอาจทำให้เกิดการบาดเจ็บร้ายแรงและทรัพย์สินเสียหายได้ ผู้ติดตั้งมีหน้าที่รับผิดชอบในการประเมินวิธีการติดตั้งที่เหมาะสม



ข้อควรระวัง:

- ลำโพงเหล่านี้ไม่ได้รับการออกแบบหรือแนะนำให้ติดตั้งในผนัง ในเพดาน ที่สร้างจากอิฐ หรือเพดานที่มีฝ้าหลุม
- ผลิตภัณฑ์นี้ไม่ได้รับการออกแบบให้ใช้ในพื้นที่ปิดกั้นของระบบควบคุมอากาศ
- โปรดดูเครื่องหมายที่เกี่ยวข้องกับความปลอดภัยที่ตัวเครื่องของผลิตภัณฑ์
- โปรดอย่าตัดแปลงลำโพงหรืออุปกรณ์เสริม การตัดแปลงแก้ไขโดยไม่ได้ รับอนุญาตอาจกระทบต่อความปลอดภัย ความสอดคล้องตามระเบียบข้อบังคับ และประสิทธิภาพของระบบ
- ตรวจสอบให้แน่ใจว่าน้ำหนักของน้ำหนักทั้งหมดออกจากลำโพงตามคำแนะนำการติดตั้งในคู่มือนี้



คำเตือน: ผลิตภัณฑ์นี้ประกอบด้วยชิ้นส่วนขนาดเล็ก ซึ่งอาจทำให้เกิดอันตรายจากการสำลัก ไม่เหมาะสำหรับเด็กอายุต่ำกว่า 3 ปี



คำเตือน: ผลิตภัณฑ์นี้ประกอบด้วยวัสดุแม่เหล็ก โปรดติดต่อแพทย์ หากคุณสงสัยว่าสิ่งนี้อาจส่งผลกระทบต่อการใช้งานอุปกรณ์การแพทย์ที่ปลูกถ่ายของคุณหรือไม่

หมายเหตุ: ผลิตภัณฑ์นี้จะต้องใช้ภายในอาคารเท่านั้น ผลิตภัณฑ์นี้ไม่ได้รับการออกแบบหรือทดสอบสำหรับใช้งานภายนอกอาคาร ในยานพาหนะ หรือบนเรือ

คำแนะนำเพื่อความปลอดภัยที่สำคัญ

- โปรดอ่านคำแนะนำเหล่านี้
- จดจำคำแนะนำเหล่านี้ไว้
- ใส่ใจในคำเตือนทั้งหมด
- ปฏิบัติตามคำแนะนำทั้งหมด
- อย่าใช้อุปกรณ์นี้ใกล้กับน้ำ
- ติดตั้งตามคำแนะนำของผู้ผลิต
- อย่าตั้งใกล้กับแหล่งที่ก่อให้เกิดความร้อนใดๆ เช่น หม้อน้ำ เครื่องปั่นไฟ เตา หรืออุปกรณ์อื่นๆ (รวมถึงเครื่องขยายเสียง) ที่ก่อให้เกิดความร้อน
- ใช้แต่อุปกรณ์ต่อ/อุปกรณ์เสริมที่ผู้ผลิตระบุเท่านั้น

ชื่อชิ้นส่วน	สารและองค์ประกอบที่เป็นพิษหรือเป็นอันตราย					
	ตะกั่ว (Pb)	ปรอท (Hg)	แคดเมียม (Cd)	โครเมียม 6 (CR(VI))	โพลีโบรมิเนเตดไบเฟนิล (PBB)	โพลีโบรมิเนเตดไดฟีนิลอีเธอร์ (PBDE)
PCBs	X	O	O	O	O	O
ชิ้นส่วนโลหะ	X	O	O	O	O	O
ชิ้นส่วนพลาสติก	O	O	O	O	O	O
ลำโพง	X	O	O	O	O	O
สาย	X	O	O	O	O	O

ตารางนี้ได้รับการจัดเตรียมตามระเบียบแก้ไขปรับปรุงของ SJ/T 11364

O: หมายความว่าสารพิษหรือสารอันตรายที่อยู่ในวัสดุทั้งหมดที่เป็นเนื้อเดียวกันสำหรับชิ้นส่วนนี้ มีปริมาณต่ำกว่าข้อกำหนดขีดจำกัดของ GB/T 26572

X: หมายความว่าสารพิษหรือสารอันตรายที่อยู่ในวัสดุที่เป็นเนื้อเดียวกันอย่างน้อยหนึ่งชิ้นที่ใช้สำหรับชิ้นส่วนนี้มีปริมาณสูงกว่าข้อกำหนดขีดจำกัดของ GB/T 26572



สัญลักษณ์นี้หมายความว่าไม่ควรทิ้งผลิตภัณฑ์นี้เหมือนเป็นขยะตามบ้านทั่วไป และควรจัดการทิ้งให้กับสถานจัดเก็บขยะที่เหมาะสมเพื่อการนำไปรีไซเคิล การจัดการทิ้งและการรีไซเคิลอย่างเหมาะสม ช่วยปกป้องทรัพยากรธรรมชาติ สุขภาพของมนุษย์ และสิ่งแวดล้อม สำหรับข้อมูลเพิ่มเติมเกี่ยวกับการทิ้งและการรีไซเคิลผลิตภัณฑ์นี้ ให้ติดต่อเทศบาลในท้องถิ่นของคุณ บริการกำจัดขยะ หรือร้านค้าที่คุณซื้อผลิตภัณฑ์นี้



Bose Corporation ขอประกาศในที่นี้ว่าผลิตภัณฑ์นี้สอดคล้องตามข้อกำหนดที่จำเป็นและข้อบังคับที่เกี่ยวข้องอื่นๆ ของข้อกำหนด Directive 1999/5/EC และข้อบังคับที่เกี่ยวข้องอื่นๆ ของข้อกำหนด EU ประกาศฉบับสมบูรณ์เกี่ยวกับความสอดคล้อง สามารถอ่านได้จาก www.Bose.com/compliance

ผู้นำเข้าของจีน: Bose Electronics (Shanghai) Company Limited, Part C, Plan 9, No. 353 North Riyang Road, China (Shanghai) Pilot Free Trade Zone

ผู้นำเข้าของ EU: Bose Products B.V., Gorslaan 60, 1441 RG Purmerend, The Netherlands

ผู้นำเข้าของไต้หวัน: Bose Taiwan Branch, Room 905, 9F, Worldwide House, 131 Min Sheng East Rd, Section 3, Taipei, Taiwan, 105

โปรดกรอกข้อมูลและเก็บไว้เป็นบันทึกของคุณ:

หมายเลขซีเรียลอยู่ที่แผงช่องเสียบของชุด Acoustimass® และบนกล่องบรรจุสำหรับโมทคอนโทรล

หมายเลขรุ่น: _____

หมายเลขซีเรียล: _____

วันที่ซื้อ: _____

ขอแนะนำให้คุณเก็บใบเสร็จรับเงินไว้กับคู่มือผู้ใช้

วันที่ผลิต:

ตัวเลขหลักแรกที่เป็นตัวเข้มในหมายเลขซีเรียล หมายถึงปีที่ผลิต เช่น “5” คือ 2005 หรือ 2015

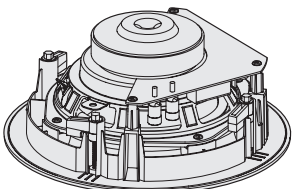
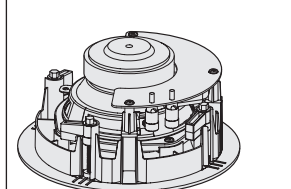
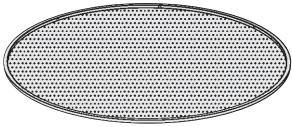
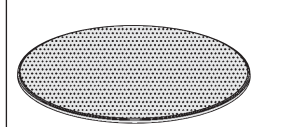

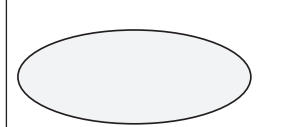
บทนำ	
เกี่ยวกับลำโพง <i>Virtually Invisible</i> ® 791 series II หรือ 591 in-ceiling ของคุณ.....	4
สิ่งที่บรรจุในกล่อง	4
เครื่องมือที่แนะนำ.....	4
ข้อกำหนดด้านสายไฟของลำโพง	4
คำแนะนำในการจัดวาง	4
การติดตั้งบนโครงสร้างที่อยู่ระหว่างการก่อสร้าง.....	4
การติดตั้งลำโพง	
การตัดช่องสำหรับลำโพง	5
การเชื่อมต่อกับลำโพง.....	5
การติดตั้งลำโพง	6
การติดตั้งแตรง.....	6
การดูแลรักษา	
การแก้ปัญหา	7
อุปกรณ์เสริม	7
ฝ่ายบริการลูกค้า.....	7
การรับประกันแบบจำกัด	7
ข้อมูลทางด้านเทคนิค	7

เกี่ยวกับลำโพง *Virtually Invisible*® 791 series II หรือ 591 in-ceiling ของคุณ

ลำโพง Bose® *Virtually Invisible*® 791 series II หรือ 591 in-ceiling ให้ประสิทธิภาพด้านเสียงที่เหนือชั้นสำหรับการฟังรับเพลงด้วยระบบสเตอริโอในตัวและแหล่งบันเทิงภายในบ้าน

สิ่งที่บรรจุในกล่อง

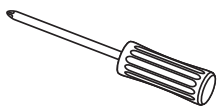
เปิดกล่องบรรจุอย่างระมัดระวังและตรวจสอบว่าคุณได้รับอุปกรณ์ต่อไปนี้ครบถ้วน:

ลำโพง <i>Virtually Invisible</i> ® 791 series II	ลำโพง <i>Virtually Invisible</i> ® 591
	
2 ตัว	2 ตัว
	
ตะแกรงลำโพง 2 ชั้น	ตะแกรงลำโพง 2 ชั้น
	
แม่แบบ	แม่แบบ

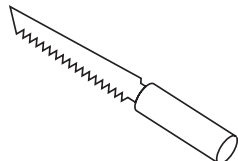
หมายเหตุ: หากส่วนหนึ่งส่วนใดของระบบได้รับความเสียหาย อย่าใช้อุปกรณ์นั้น ให้ติดต่อตัวแทนจำหน่ายของ Bose® หรือติดต่อฝ่ายบริการลูกค้าของ Bose โปรดดูรายชื่อติดต่อในกล่อง

เครื่องมือที่แนะนำ

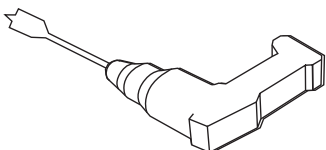
คุณอาจต้องใช้เครื่องมือต่อไปนี้ในการติดตั้ง:



ไขควงหัวแฉก



เครื่องมือตัด



สว่านไฟฟ้า



แว่นนิรภัย

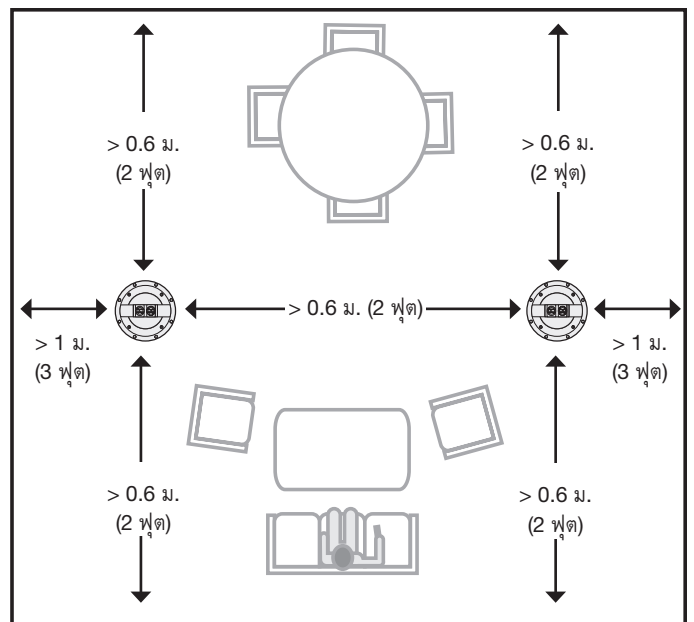
ข้อกำหนดด้านสายไฟของลำโพง

เกจ	ความยาวสูงสุด
18 AWG (0.82 มม. ²)	6 ม. (20 ฟุต)
16 AWG (1.3 มม. ²)	9 ม. (30 ฟุต)
14 AWG (2.1 มม. ²)	15 ม. (50 ฟุต)
12 AWG (3.3 มม. ²)	27 ม. (90 ฟุต)

- เมื่อสายจากเพดานไว้ให้เพียงพอสำหรับต่อเข้ากับลำโพงก่อนที่จะติดตั้ง
- ปอกส่วนฉนวนยาว 1/2 นิ้ว (13 มม.) ที่ปลายแต่ละด้านของสายทั้งสองเส้น
- โปรดตรวจสอบข้อกำหนดของอาคารในประเทศของคุณและใช้สายไฟที่ถูกต้องสำหรับการติดตั้งแบบฝังเพดาน
- สำหรับข้อมูลเกี่ยวกับการติดตั้งสายลำโพง โปรดสอบถามจากผู้เชี่ยวชาญด้านไฟฟ้าหรือช่างติดตั้งเครื่องเสียง/วิดีโอ

คำแนะนำในการจัดวาง

เพื่อประสิทธิภาพการทำงานที่เหมาะสมที่สุด ให้ติดตั้งลำโพงในตำแหน่งที่คล้ายคลึงกับภาพด้านล่าง ด้วยระยะห่างขั้นต่ำตามที่แนะนำ:



หมายเหตุ:

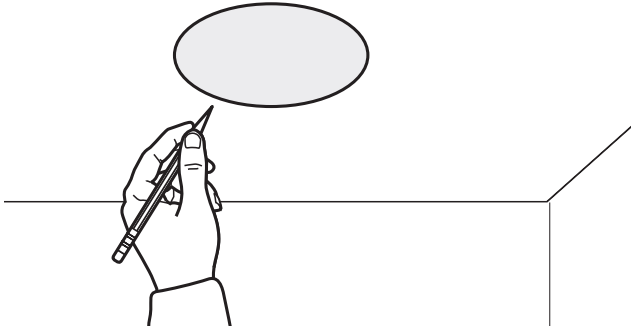
- การใช้อุปกรณ์เหล่านี้ตำแหน่งโครงคร่าวเพื่อให้แน่ใจได้ว่าเจาะรูติดตั้งลำโพงห่างจากรอยต่ออย่างน้อย 4 3/4 นิ้ว (12 ซม.)
- ยึดลำโพงนี้ในกรอบไม้หรือโครงสร้างคล้ายกันนี้เท่านั้น Bose ขอแนะนำให้ติดตั้งลำโพงเหล่านี้บนกรอบไม้หรือโครงสร้างคล้ายคลึงกันนี้ที่มีพื้นที่ตำแหน่งโครงคร่าวอย่างเพียงพอเท่านั้น เช่นในการก่อสร้างแบบ 2 x 6

การติดตั้งบนโครงสร้างที่อยู่ระหว่างการก่อสร้าง

หากคุณวางแผนติดตั้งบนโครงสร้างที่อยู่ระหว่างการก่อสร้าง ให้ซื้ออุปกรณ์ Bose Rough-in Kit โปรดดู “อุปกรณ์เสริม” ที่หน้า 7

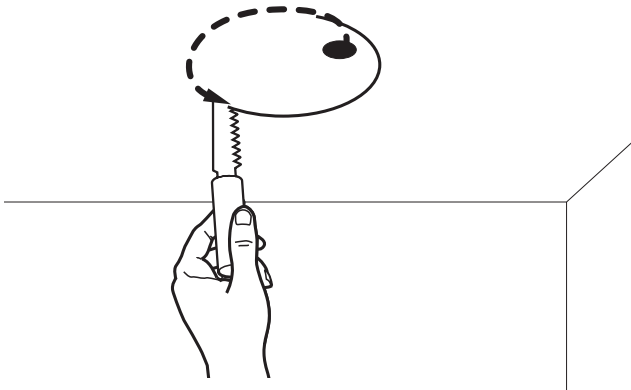
การตัดช่องสำหรับลำโพง

1. ร่างวาดแม่แบบที่ตำแหน่งติดตั้งลำโพง



คำเตือน: อย่าเจาะพื้นผิวที่มีวัตถุที่อาจเป็นอันตรายฝังอยู่ภายใน เช่น สายไฟหรือระบบท่อประปา หากคุณไม่มั่นใจว่าจะสามารถติดตั้งลำโพงได้ด้วยตนเอง โปรดติดต่อช่างติดตั้งผู้เชี่ยวชาญ

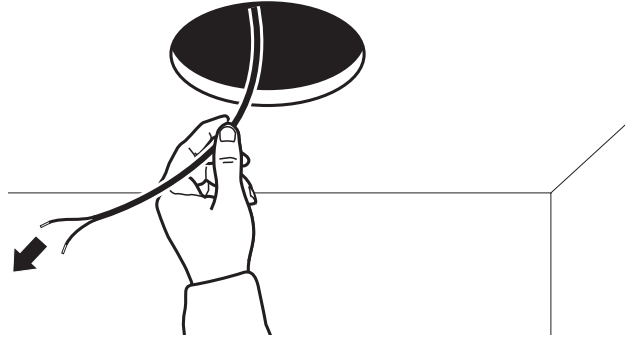
2. เจาะรูภายในพื้นที่แม่แบบให้ใหญ่พอสำหรับเครื่องมือตัดของคุณ
3. ตัดไปตามเส้นที่คุณร่างไว้



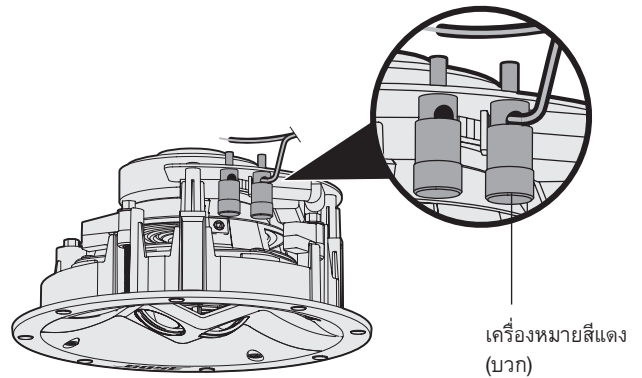
4. ดึงส่วนที่ตัดออกมา
5. ดึงรอยฉีกหรือวัสดุที่ขรุขระออกจากบริเวณรอบช่อง

การเชื่อมต่อกับลำโพง

1. ดึงสายลำโพงออกมาอย่างน้อย 14 นิ้ว (36 ซม.)
เมื่อสายให้พอที่จะเชื่อมต่อกับลำโพงได้จากจุดที่คุณยืนอยู่



2. ต่อสายขั้วบวกเข้ากับช่องเสียบที่แสดงด้วยสีแดงบนลำโพง
หมายเหตุ: เครื่องหมายของช่องเสียบแสดงอยู่ที่ด้านบนของช่องเสียบ



ลำโพง *Virtually Invisible*® 591

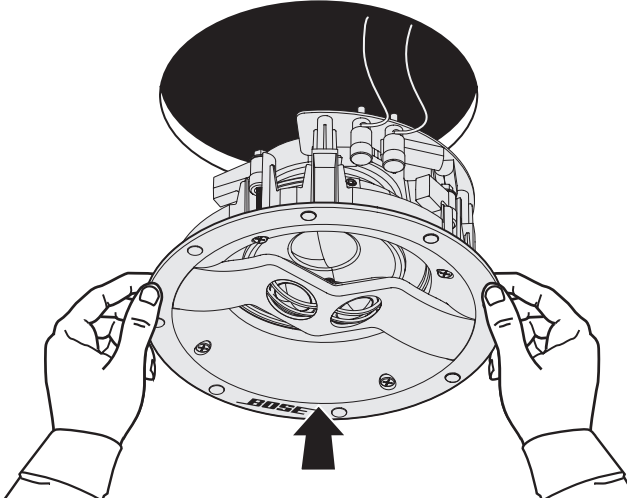
3. ต่อสายขั้วลบเข้ากับช่องเสียบที่แสดงด้วยสีดำบนลำโพง

การติดตั้งลำโพง

การติดตั้งลำโพง

1. จับขอบด้านนอก แล้วสอดลำโพงเข้าไปในช่อง

หมายเหตุ: อย่ากดตัวขับเคลื่อนใดๆ สองตัวที่ด้านหน้าของลำโพง เพราะอาจทำให้ลำโพงเสียหายได้

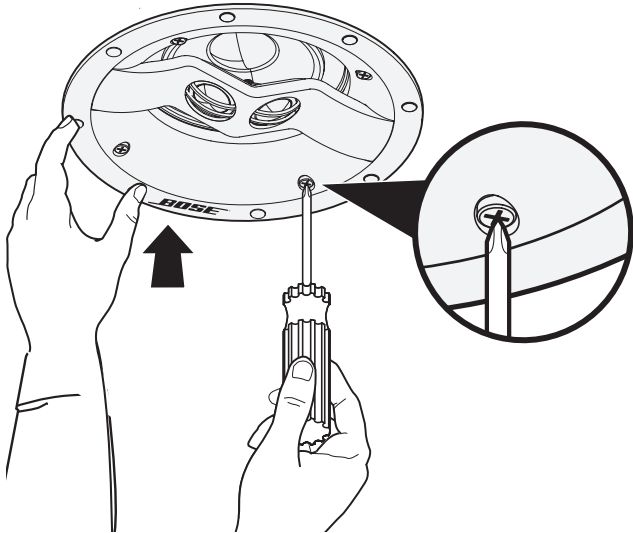


ลำโพง *Virtually Invisible*® 591

ข้อควรระวัง: วัสดุฉนวนบางแบบ (เช่น ฉนวนทอจากขนม้า หนังสีโอพิมพ์ ฉนวนเยื่อกระดาษ หรือฉนวนแบบมีโพรงอากาศภายใน) อาจทำให้เกิดความเสี่ยงในการติดไฟ อย่าสัมผัสกับฉนวนทั้งหมดให้ห่างจากลำโพง

2. ใช้ไขควงปากแฉกไขสกรูหนีบให้แน่น

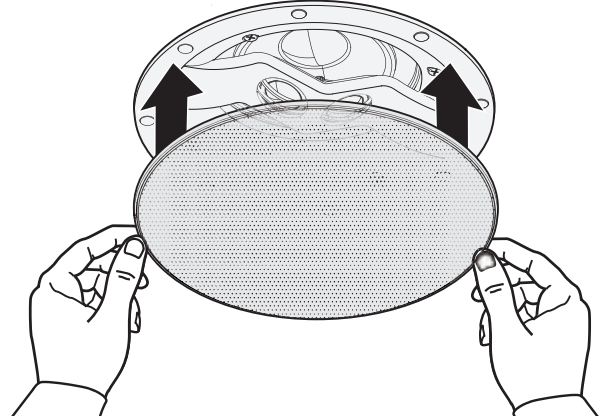
หมายเหตุ: หากใช้สว่านไฟฟ้า ให้เลือกใช้แรงบิดต่ำสุด



ลำโพง *Virtually Invisible*® 591

การติดตะแกรง

ตะแกรงนี้ยึดติดกับขอบของลำโพงด้วยแรงแม่เหล็ก ใส่ตะแกรงเข้ากับลำโพง



ลำโพง *Virtually Invisible*® 591

การทำสีตะแกรง

คุณสามารถทำสีตะแกรงก่อนติดเข้ากับลำโพง Bose® ไม่รับประกันต่อคุณภาพของการยึดติดหรือสีภายนอกที่ไม่ได้ทำจากโรงงาน

- สีลาเท็กซ์หรือสีที่ผสมน้ำมันต้องทำให้เจือจางลงเพื่อใช้กับปืนพ่นสีโปรตุเกสในคู่มือผู้ใช้ที่ให้มาพร้อมกับปืนพ่นสีของคุณ
- โปรตระมัดระวังเมื่อใช้อุปกรณ์แหลมคมเพื่อตีสีที่อุดอยู่ในรูตะแกรงออก เพราะอาจทำให้ตะแกรงเสียหาย

การแก้ปัญหา

ปัญหา	สิ่งที่ต้องทำ
ไม่ได้ยินเสียงจากลำโพง	<ul style="list-style-type: none"> ตรวจสอบว่าสายลำโพงไม่ได้หลุดออกจากช่องเสียบลำโพงหรือเครื่องรับสัญญาณ/เครื่องขยายเสียง ตรวจสอบการตั้งค่าบนเครื่องรับสัญญาณ/เครื่องขยายเสียง โปรดดูคำแนะนำในการติดตั้งจากคู่มือผู้ใช้ของเครื่องรับสัญญาณ/เครื่องขยายเสียง หากมีการเชื่อมต่อลำโพงสเตอริโอตัวอื่นกับสัญญาณเสียงออกชุดที่สองบนเครื่องรับสัญญาณ/เครื่องขยายเสียงของคุณ ตรวจสอบให้แน่ใจว่าเลือกการตั้งค่าลำโพง A หรือ B ที่เหมาะสมเพื่อให้ตรงกับสัญญาณออก A หรือ B ที่เชื่อมต่อกับชุดลำโพงของคุณ
เสียงออกจากลำโพงข้างเดียว	<ul style="list-style-type: none"> ปรับส่วนควบคุมสมดุลบนเครื่องรับสัญญาณ/เครื่องขยายเสียงของคุณให้อยู่กึ่งกลาง ตรวจสอบให้แน่ใจว่าสายจากช่องเสียบขั้วบวกและขั้วลบของเครื่องรับสัญญาณ/เครื่องขยายเสียงไม่สัมผัสกัน ถอดสายลำโพงออกจากช่องสัญญาณของเครื่องรับสัญญาณ/เครื่องขยายเสียง แล้วต่อใหม่กับช่องสัญญาณอื่น ตรวจสอบว่าสายจากช่องเสียบขั้วบวกและขั้วลบไม่สัมผัสกัน ตรงจุดที่สายลำโพงเชื่อมต่อกับลำโพง ถอดสายลำโพงออกจากลำโพงแล้วต่อเข้ากับลำโพงอื่น หากลำโพงนี้ทำงาน แสดงว่าต้องส่งลำโพงของคุณเข้าสู่ศูนย์บริการ โปรดดูรายชื่อติดต่อในกล่อง เปลี่ยนและติดตั้งสายลำโพงอีกครั้งหากขั้นตอนการแก้ไขปัญหานี้ไม่สามารถแก้ปัญหาได้
เสียงทும்/เสียงแหลม มีสัญญาณอ่อน	<ul style="list-style-type: none"> ปรับการตั้งค่าสมดุลเสียงบนเครื่องรับสัญญาณ/เครื่องขยายเสียงของคุณ ตรวจสอบว่าไม่มีช่องว่างระหว่างกรอบลำโพงและพื้นผิวผนัง สลัดสายที่เชื่อมต่อกับช่องเสียบขั้วบวกและขั้วลบบนเครื่องรับสัญญาณ/เครื่องขยายเสียง ถอดสายลำโพงจากช่องสัญญาณของเครื่องรับสัญญาณ/เครื่องขยายเสียงแล้วต่อใหม่กับช่องสัญญาณอื่น
เสียงรบกวน/เสียงซ่าจากลำโพง	<ul style="list-style-type: none"> ตรวจสอบว่าสายลำโพงอยู่ในสภาพดี เสียบกับลำโพงและเครื่องรับสัญญาณ/เครื่องขยายเสียงอย่างแน่นหนา และช่องเสียบไม่ได้สัมผัสกัน เชื่อมต่อแหล่งสัญญาณเพลงกับเครื่องรับสัญญาณ/เครื่องขยายเสียงอย่างเหมาะสม โปรดดู "เสียงออกจากลำโพงข้างเดียว"

อุปกรณ์เสริม

สำหรับการก่อสร้างที่ยังไม่เสร็จ ให้ใช้อุปกรณ์ Bose Rough-in Kit ชุดอุปกรณ์นี้ประกอบด้วยชิ้นส่วนสำหรับลำโพงสองตัว และออกแบบสำหรับใช้ในการติดตั้งเมื่อวางข้อเสียบเรียบร้อยแล้วแต่ไม่ได้ติดแผ่นบอร์ดปิดผนัง เมื่อติดตั้งแล้ว ชุดอุปกรณ์นี้จะกันพื้นที่สำหรับลำโพงแต่ละตัว และระบุจุดที่จะทำช่องลำโพงในผนัง

โปรดติดต่อฝ่ายบริการลูกค้าของ Bose สำหรับข้อมูลเพิ่มเติมหรือหากต้องการสั่งซื้ออุปกรณ์เสริม โปรดดูรายชื่อติดต่อในกล่อง

ฝ่ายบริการลูกค้า

สำหรับความช่วยเหลือเพิ่มเติมในการใช้ระบบ:

- เยี่ยมชมได้ที่ owners.Bose.com
- โปรดติดต่อฝ่ายบริการลูกค้าของ Bose โปรดดูรายชื่อติดต่อในกล่อง

การรับประกันแบบจำกัด

ระบบของคุณได้รับความคุ้มครองจากการรับประกันแบบจำกัด รายละเอียดการรับประกันแบบจำกัดแสดงอยู่ในบัตรลงทะเบียนของผลิตภัณฑ์ที่อยู่ในกล่องนี้ โปรดดูบัตรลงทะเบียนสำหรับคำแนะนำในการลงทะเบียน แม้จะไม่ดำเนินการดังกล่าวก็จะมีผลต่อการรับประกันแบบจำกัดของคุณ ข้อมูลการรับประกันที่นำมาพร้อมกับผลิตภัณฑ์นี้ไม่มีผลบังคับใช้ในออสเตรเลียและนิวซีแลนด์ ดูรายละเอียดการรับประกันในออสเตรเลียและนิวซีแลนด์จากเว็บไซต์ของเราที่ www.Bose.com.au/warranty หรือ www.Bose.co.nz/

ข้อมูลทางด้านเทคนิค

ความสามารถใช้งานร่วมกัน

สามารถใช้งานร่วมกับเครื่องขยายเสียงหรือเครื่องรับสัญญาณที่มีพิกัด 10-100W ต่อช่องสัญญาณ/พิกัด 4-8 โอห์ม

Virtually Invisible® 791 series II: ระบบจัดการไฟต่อเนื่อง 50W IEC พิกัด 6 โอห์ม

Virtually Invisible® 591: ระบบจัดการไฟต่อเนื่อง 50W IEC พิกัด 8 โอห์ม

ส่วนประกอบของชุดขับ *Virtually Invisible*® 791 series II:

โดมทรีตเตอร์ 1" (25.4 มม.) สองตัว ตั้งในลักษณะอาร์เรย์
วูฟเฟอร์ความเบี่ยงเบนสูง ขนาด 7" (178 มม.) หนึ่งตัว

ส่วนประกอบของชุดขับ *Virtually Invisible*® 591:

โดมทรีตเตอร์ 3/4" (19 มม.) สองตัว ตั้งในลักษณะอาร์เรย์
วูฟเฟอร์ความเบี่ยงเบนสูง ขนาด 5" (127 มม.) หนึ่งตัว

ขนาดของ *Virtually Invisible*® 791 series II:

เส้นผ่าศูนย์กลางกลาง: 8.4" (214 มม.)
ความลึกเข้าไปในเพดาน: 4.14" (105.2 มม.)
เส้นผ่าศูนย์กลางตะแกรง: 10" (254 มม.)
เส้นผ่าศูนย์กลางรูเพดาน: 8 5/8" (219 มม.)

ขนาดของ *Virtually Invisible*® 591:

เส้นผ่าศูนย์กลางกลาง: 6.5" (166 มม.)
ความลึกเข้าไปในเพดาน: 3.8" (96.7 มม.)
เส้นผ่าศูนย์กลางกลาง: 8.11" (206 มม.)
เส้นผ่าศูนย์กลางของช่องเพดานที่กำหนด: เส้นผ่าศูนย์กลาง 6.7" (170 มม.)

น้ำหนัก

Virtually Invisible® 791 series II: ข้างละ 2.18 กก. (4.8 ปอนด์)

Virtually Invisible® 591: ข้างละ 1.45 กก. (3.19 ปอนด์)

중요 안전 지침

이 사용자 안내서를 주의하여 읽고 향후 참조를 위해 보관하십시오.

경고:

- 쏘볼과 같은 무방비 상태의 불꽃을 제품 위나 근처에 두지 마십시오.
- 모든 Bose® 제품은 현지, 주, 연방 및 업계 규정을 준수하여 사용해야 합니다. 지역 건물 법규 및 규정을 포함한 적용 가능한 건물 법규에 따라 라우드스피커와 마운팅 시스템이 설치되었는지 확인하는 것은 설치하는 사람의 책임입니다.
- 무거운 물건을 불안정하게 마운팅하거나 머리 위로 걸어 놓으면 심각한 인명 피해와 재산 손실이 발생할 수 있습니다. 사용 목적에 따른 마운팅 방법의 안정성을 판단하는 것은 설치하는 사람의 책임입니다.

주의:

- 본 스피커는 벽면 매입이나 석조 건물의 천장, 드롭 천장에 매입 설치하도록 설계되지 않았으며, 이를 권장하지도 않습니다.
- 본 제품은 공기 조화기용 천장 속 공간에 사용하도록 제작된 것이 아닙니다.
- 안전 관련 표시는 제품 외장을 참조하십시오.
- 스피커 또는 액세서리를 개조하지 마십시오. 허가 없이 변경하면 안전, 규정 준수 및 시스템 성능에 문제가 발생할 수 있습니다.
- 본 안내서의 설치 지침에 따라 스피커에서 모든 절연재를 치웁니다.

경고: 질식 위험이 발생할 수 있는 소형 부품을 포함하고 있습니다. 3세 미만의 어린이가 사용하기에 부적합합니다.

경고: 이 제품에는 자석 재질이 포함되어 있습니다. 사용자 몸에 이식한 의료 기기의 작동에 어떤 영향이 있는지에 관해 질문이 있을 경우 의사에게 문의하십시오.


참고: 이 제품은 실내에서만 사용해야 합니다. 이 제품은 레이저 차량이나 선박 등의 야외에서 사용하도록 설계되거나 테스트되지 않았습니다.


중요 안전 지침

1. 본 지침을 읽으십시오.
2. 본 지침을 준수하십시오.
3. 모든 경고에 유의하십시오.
4. 모든 지침을 따르십시오.
5. 본 장비를 물 가까이에서 사용하지 마십시오.
6. 제조업체의 지침에 따라 설치하십시오.
7. 방열기나 난방기, 전기 난로 또는 열을 발생시키는 기타 기기(증폭기 포함) 근처에 설치하지 마십시오.
8. 제조업체에서 지정한 부품이나 액세서리만 사용하십시오.

유해 물질의 명칭 및 농도						
부품 번호	유해 물질					
	납(Pb)	수은(Hg)	카드뮴(Cd)	6가 크롬(VI)	폴리브롬화 바이페닐 (PBB)	폴리브롬화 디페닐에테르 (PBDE)
폴리염화 바이페닐 (PCB)	X	O	O	O	O	O
금속 부품	X	O	O	O	O	O
플라스틱 부품	O	O	O	O	O	O
스피커	X	O	O	O	O	O
케이블	X	O	O	O	O	O

본 테이블은 SJ/T 11364 조항에 따라 준비되었습니다.
 O: 이 부품의 모든 동종 재질에 함유된 이 유해 물질이 GB/T 26572에서 규정한 제한 요구사항 미만임을 나타냅니다.
 X: 이 부품에 사용된 동종 재질 중 최소한 하나에 함유된 이 유해 물질이 GB/T 26572에서 규정한 제한 요구사항을 초과함을 의미합니다.

 이 표시는 제품을 가정용 쓰레기처럼 폐기해서는 안 되며 적합한 수거 시설에 보내 재생해야 함을 의미합니다. 올바른 폐기와 재생을 통해 천연 자원, 인류 건강 및 환경을 보호하는데 일조할 수 있습니다. 이 제품의 폐기 및 재생에 대한 자세한 정보는 지방 자치체, 폐기물 수거 업체 또는 이 제품을 구입한 매장에 문의하십시오.

 Bose Corporation은 이 제품이 지침서 1999/5/EC 및 기타 모든 적용 가능한 EU 지침의 필수 요건과 관련 조항을 준수하고 있음을 여기에서 선언합니다. 표준 부합 신고서 전문은 www.Bose.com/compliance를 참조하십시오.

중국 수입업체: Bose Electronics (Shanghai) Company Limited, Part C, Plan 9, No. 353 North Riqing Road, China (Shanghai) Pilot Free Trade Zone

EU 수입업체: Bose Products B.V., Gorslaan 60, 1441 RG Purmerend, The Netherlands

대만 수입업체: Bose Taiwan Branch, Room 905, 9F, Worldwide House, 131 Min Sheng East Rd, Section 3, Taipei, Taiwan, 105

기록용으로 작성하여 보관하십시오.

모델 번호: _____

일련 번호: _____

구입일: _____

영수증을 사용자 안내서와 함께 보관하십시오.

제조일:
일련 번호의 첫 자리 굵은 글자체는 제조 년도를 나타냅니다. 즉 “5”는 2005년 또는 2015년입니다.

소개	
<i>Virtually Invisible</i> ® 791 series II 또는 591 천장 매입형 스피커에 관하여	4
제품 개봉	4
권장 공구	4
스피커 와이어 요구사항	4
배치 지침	4
마감되지 않은 구조물에 배치	4
스피커 설치	
스피커 구멍 만들기	5
스피커 와이어 연결	5
스피커 설치	6
그릴 부착	6
관리 및 유지보수	
문제 해결	7
액세서리	7
고객 서비스 센터	7
제한 보증	7
기술 정보	7

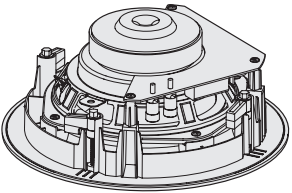
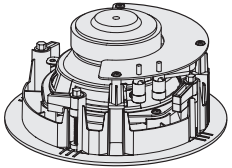
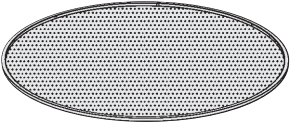
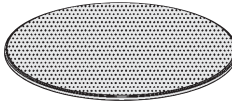
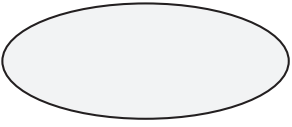

소개

Virtually Invisible® 791 series II 또는 591 천장 매입형 스피커에 관하여

Bose® Virtually Invisible® 791 series II 또는 591 천장 매입형 스피커는 내장 스테레오 음악 청취 및 홈 시어터용으로 최고의 성능을 제공합니다.

제품 개봉

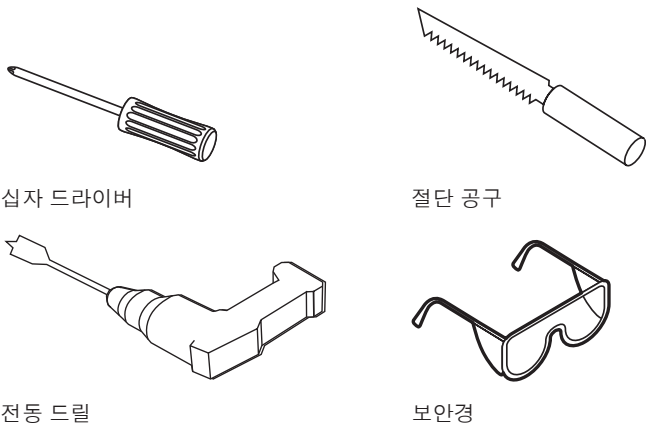
조심스럽게 포장을 풀고 다음 부품이 있는지 확인합니다.

Virtually Invisible® 791 series II 스피커	Virtually Invisible® 591 스피커
	
스피커 2개	스피커 2개
	
스피커 그릴 2개	스피커 그릴 2개
	
템플릿	템플릿

참고: 시스템 일부가 손상된 경우 사용하지 마십시오. 공인 Bose® 판매업체 또는 Bose 고객 서비스 센터에 문의하십시오. 포장 상자에 있는 연락처 목록을 참조하십시오.

권장 공구

설치를 위해 다음 공구가 필요할 수 있습니다.



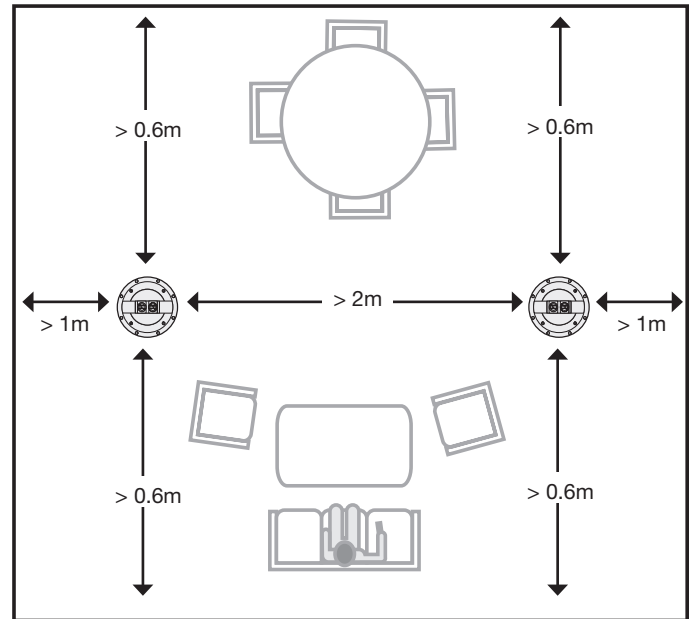
스피커 와이어 요구사항

게이지	최대 길이
18 AWG(0.82mm ²)	6m
16 AWG(1.3mm ²)	9m
14 AWG(2.1mm ²)	15m
12 AWG(3.3mm ²)	27m

- 설치하기 전에 스피커에 연결하기 용이하도록 천장에서 와이어를 충분히 빼냅니다.
- 와이어 양 끝에서 피복을 13mm 벗깁니다.
- 지역 건물 규정을 확인하고 천장 매입 설치에 요구되는 올바른 유형의 와이어만 사용하십시오.
- 스피커 와이어 설치에 대한 정보는 전기 전문가 또는 오디오/비디오 설치 전문가와 상의하십시오.

배치 지침

최적의 스테레오 성능을 위해 제안하는 최소 거리를 유지하여 아래 그림과 유사하게 스피커를 설치합니다.



참고:

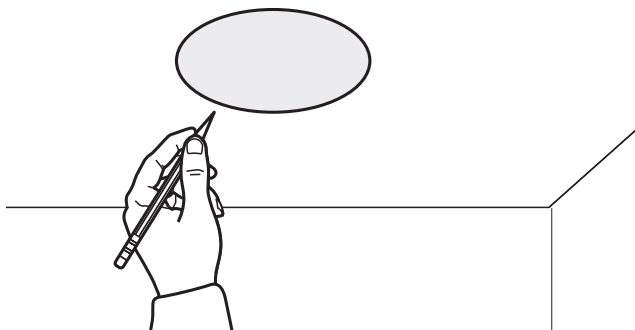
- 스테드 파인더를 사용하여 스피커 구멍이 들보에서 최소 12cm 떨어지도록 합니다.
- 나무를 또는 이와 같은 구조물에만 스피커를 설치합니다. Bose는 스피커를 2 x 6 구조물과 같이 적절한 간격으로 스테드를 배치한 나무를 또는 이와 유사한 구조물에만 설치할 것을 권장합니다.

마감되지 않은 구조물에 배치

마감되지 않은 구조물에 설치할 계획이라면 Bose 미완성 키트를 구입하십시오. 7 페이지의 “액세서리”를 참조하십시오.

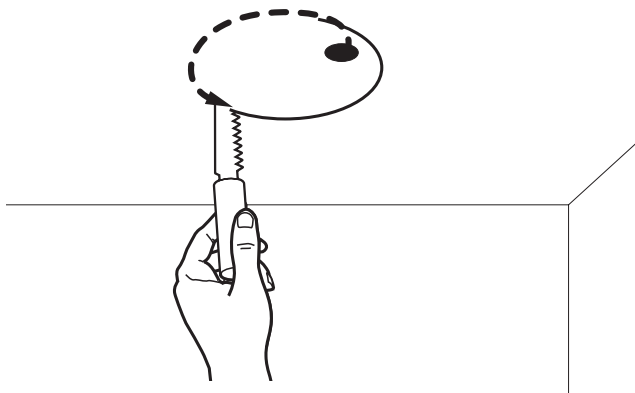
스피커 구멍 만들기

1. 스피커 위치에 템플릿을 대고 본뜩니다.



경고: 위험 요소가 뒤에 숨겨져 있는 표면(전기 배선 또는 배관 등)을 절단하지 마십시오. 스피커를 마운팅할 자신이 없는 경우 설치 전문가에게 의뢰하십시오.

2. 절단 공구가 들어가기에 충분한 크기로 템플릿 영역 내부를 드릴로 구멍을 뚫습니다.
3. 본뜬 선을 따라 절단합니다.

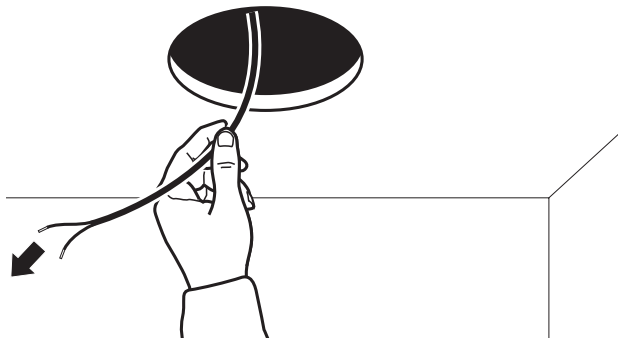


4. 잘라낸 부분을 제거합니다.
5. 구멍 주위의 찢기거나 거친 부분을 깔끔하게 정리합니다.

스피커 와이어 연결

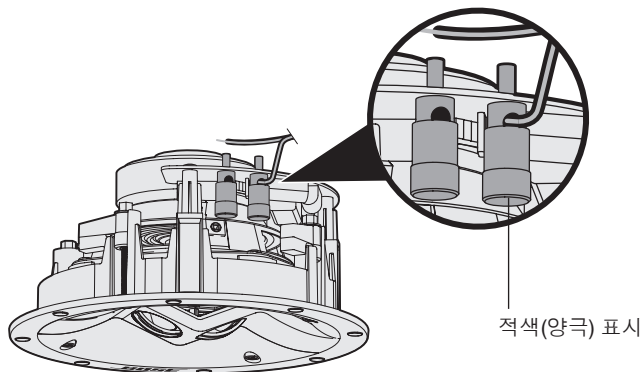
1. 스피커 와이어를 최소한 36cm 당겨 뽑니다.

사용자가 서있는 곳에서 스피커까지 연결할 와이어를 충분히 준비합니다.



2. 양극 와이어를 스피커의 적색 표시 단자에 연결합니다.

참고: 단자 표시는 단자 상단에 위치해 있습니다.



Virtually Invisible® 591 스피커

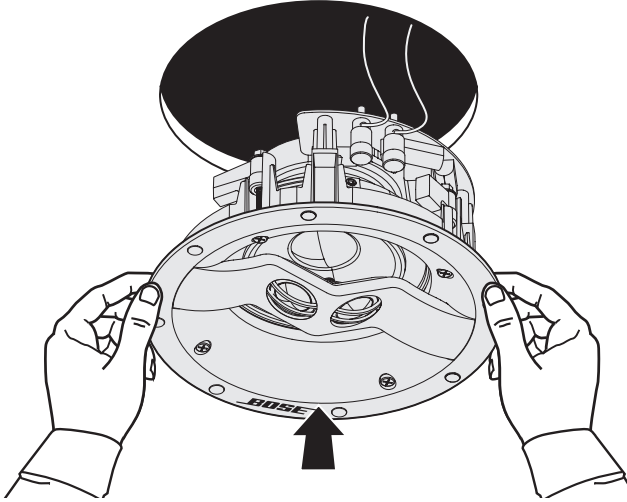
3. 음극 와이어를 스피커의 흑색 표시 단자에 연결합니다.

스피커 설치

스피커 설치

1. 스피커의 바깥 가장자리를 잡고 구멍에 삽입합니다.

참고: 스피커 전면에 장착된 2개의 작은 드라이버를 누르지 않도록 합니다. 스피커가 손상될 수 있습니다.

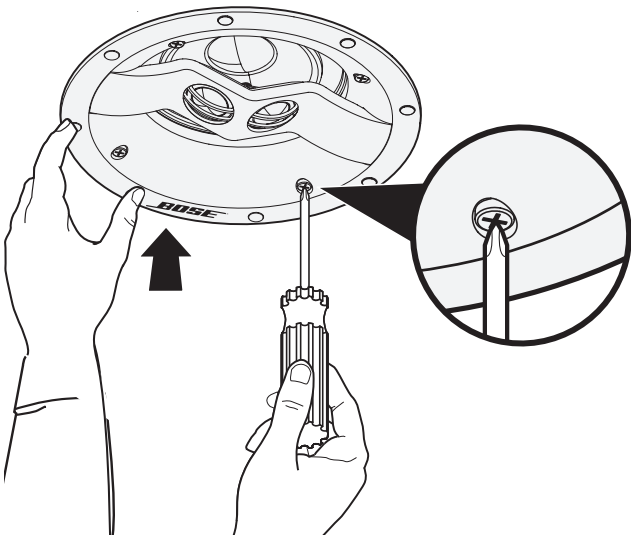


Virtually Invisible® 591 스피커

주의: 말총 회반죽, 신문, 셀룰로오스 또는 발포재와 같은 특정 형태의 절연재는 불이 붙을 수 있습니다. 모든 절연재를 스피커에서 멀리 치워야 합니다.

2. 십자 스크루드라이버를 사용하여 모든 클램프를 조입니다.

참고: 전동 드릴을 사용할 경우 가장 낮은 토크 설정을 선택합니다.

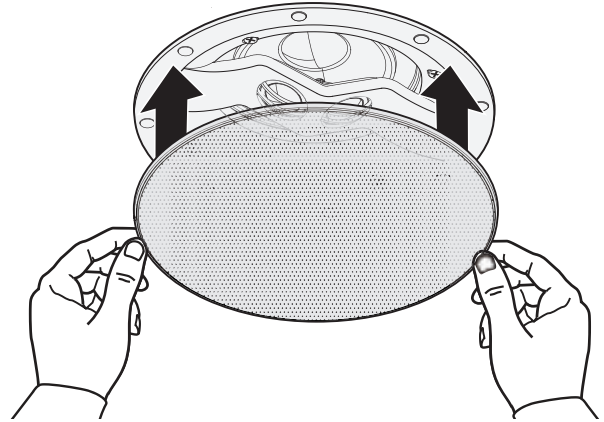


Virtually Invisible® 591 스피커

그릴 부착

그릴은 스피커 림에 자력으로 부착됩니다.

그릴을 스피커 위에 배치합니다.



Virtually Invisible® 591 스피커

그릴 페인팅

그릴을 스피커에 부착하기 전에 스피커 그릴에 페인트를 칠할 수 있습니다. Bose®는 제품 출고 후 도포하는 페인트의 접착력 또는 마감에 책임을 지지 않습니다.

- 라텍스 또는 오일 성분의 건축용 페인트는 흡관식 스프레이 건에 사용하기 위해 희석해야 합니다. 스프레이 건과 함께 제공된 사용자 안내서에서 가이드라인을 참조하십시오.
- 그릴 표면이 손상될 수 있으므로 막힌 페인트를 제거하기 위해 그릴 구멍에 날카로운 물체를 사용할 때는 주의하십시오.

문제 해결

문제	해결 방법
스피커에서 소리가 나지 않는 경우	<ul style="list-style-type: none"> 스피커 와이어가 스피커 또는 수신기/증폭기에서 분리되지 않았는지 확인합니다. 수신기/증폭기의 설정을 확인합니다. 수신기/증폭기 사용자 안내서에서 설정에 관한 지침을 참조하십시오. 다른 스테레오 스피커가 수신기/증폭기의 두 번째 오디오 출력 세트에 연결된 경우 스피커에 연결된 A 또는 B 출력에 일치하는 올바른 A 또는 B 스피커 설정을 선택해야 합니다.
한쪽 스피커에서만 소리가 날 경우	<ul style="list-style-type: none"> 수신기/증폭기에서 밸런스 컨트롤을 중앙에 맞춥니다. 수신기/증폭기의 양극과 음극 단자 와이어가 서로 접촉되지 않아야 합니다. 수신기/증폭기 채널에서 스피커 와이어를 분리하여 다른 수신기/증폭기 채널에 다시 연결합니다. 스피커에 연결되는 스피커 와이어에서 양극과 음극 단자 와이어가 서로 접촉되고 있지 않은지 확인합니다. 스피커에서 스피커 와이어를 분리하여 또 다른 스피커에 다시 연결합니다. 이 스피커가 작동할 경우 이전 스피커를 서비스 받아야 합니다. 포장 상자에 있는 연락처 목록을 참조하십시오. 본 문제 해결 단계에서 문제를 해결하지 못하는 경우 스피커 와이어를 교환하고 다시 설치합니다.
저음/고음이 약할 경우	<ul style="list-style-type: none"> 수신기/증폭기의 음색 밸런스 설정을 조정합니다. 스피커 프레임과 벽 표면 사이에 틈이 없어야 합니다. 수신기/증폭기의 양극 및 음극 단자에 연결된 와이어를 서로 맞바꿉니다. 수신기/증폭기 채널에서 스피커 와이어를 분리하여 다른 수신기/증폭기 채널에 다시 연결합니다.
스피커에서 잡음/소음이 날 경우	<ul style="list-style-type: none"> 와이어 상태가 양호하고 스피커와 수신기/증폭기에 단단히 연결되어 있고 단자를 교차 접촉하고 있지 않은지 확인합니다. 음악 소스를 수신기/증폭기에 올바르게 연결합니다. “한쪽 스피커에서만 소리가 날 경우”를 참조하십시오.

액세서리

마감되지 않은 구조물의 경우 Bose® 미완성 키트를 사용합니다.

두 스피커의 부품이 포함된 이 키트는 들보 설치 후 석고보드 추가 전에 설치할 수 있도록 제작되어 있습니다. 설치가 끝나면 키트에는 각 스피커를 위한 공간이 확보되며 석고보드에 스피커 구멍을 뚫을 위치가 표시됩니다.

자세한 정보가 필요하거나 액세서리를 주문하려면 Bose 고객 서비스 센터에 문의하십시오. 포장 상자에 있는 연락처 목록을 참조하십시오.

고객 서비스 센터

시스템 사용에 관한 추가 도움말:

- owners.Bose.com에 방문하십시오.
- Bose 고객 서비스 센터에 문의하십시오. 포장 상자에 있는 연락처 목록을 참조하십시오.

제한 보증

시스템은 제한 보증의 적용을 받습니다. 제한 보증의 자세한 내용은 제품 포장에 포함된 등록 카드에 제공되어 있습니다. 등록 방법은 카드의 지침을 참조하십시오. 등록하시지 않더라도 제한 보증에 대한 권리에는 영향이 없습니다.

이 제품에 제공된 보증 정보는 오스트레일리아와 뉴질랜드에는 적용되지 않습니다. 오스트레일리아와 뉴질랜드 보증에 대한 자세한 정보는 웹사이트 www.Bose.com.au/warranty 또는 www.Bose.co.nz/warranty를 참조하십시오.

기술 정보

호환성

호환되는 증폭기 또는 수신기 정격:

채널 당 10-100W/4 ~ 8옴 정격

Virtually Invisible® 791 series II: 50W IEC 연속 전원 처리, 6옴 정격

Virtually Invisible® 591: 50W IEC 연속 전원 처리, 8옴 정격

Virtually Invisible® 791 series II 드라이버 보완재:

어레이로 구성된 25.4mm 돔형 트위터 2개

178mm 고진폭 우퍼 1개

Virtually Invisible® 591 드라이버 보완재:

어레이로 구성된 19mm 돔형 트위터 2개

127mm 고진폭 우퍼 1개

Virtually Invisible® 791 series II 치수:

직경: 214mm

천장 매입 깊이: 105.2mm

그릴 직경: 254mm

천장 구멍 직경: 219mm

Virtually Invisible® 591 치수:

직경: 166mm

천장 매입 깊이: 96.7mm

그릴 직경: 206mm

필요한 천장 구멍 직경: 170mm 직경

중량

Virtually Invisible® 791 series II: 각각 2.18kg

Virtually Invisible® 591: 각각 1.45kg

重要安全性指示

请仔细阅读本用户指南，并将其保存以供日后参考。



警告：

- 请勿将明火火源（如点燃的蜡烛）置于本产品上或靠近本产品。
- 在使用所有 Bose® 产品时，必须遵守当地、州、联邦和行业规范。安装人员有责任确保扬声器安装和系统安装都符合适用的建筑法规，包括当地的建筑法规和规定。
- 不安全地壁挂或悬挂重物会导致严重的人身伤害和设备损坏。安装人员需要负责评估所用安装方法的可靠性。



小心：

- 这些扬声器未设计用于在墙壁、砖石天花板或吊顶上安装，也不建议安装在上述位置。
- 本产品不是为在空气调节稳压层中使用而设计的。
- 请参阅产品外壳上有关安全的标记。
- 请不要改装扬声器或配件。未经授权的改装可能会对系统的安全性、合规性和性能造成负面影响。
- 请务必按照本指南中的安装说明使所有绝缘材料都远离扬声器。



警告：包含小部件，可能导致窒息危险。不适合 3 岁以下的儿童使用。



警告：本产品含有磁性材料。如果怀疑此产品会影响植入医疗设备的运行，请咨询医生。

注意：必须在室内使用本产品。在室外、旅游汽车或船舶上使用本产品均不符合本产品的的设计或测试初衷。

重要安全性指示

1. 请阅读这些指示。
2. 请保留这些指示。
3. 请注意所有警告。
4. 请遵守所有指示。
5. 请勿在水附近使用本设备。
6. 请按照制造商的说明安装。
7. 请勿安装在靠近任何热源旁，例如暖气片、热调节装置、火炉或可产生热量的其他设备（包括扩音器）。
8. 只能使用制造商指定的附件/配件。

有毒或有害物质或元素的名称及成分

零件名称	有毒或有害物质和元素					
	铅 (Pb)	汞 (Hg)	镉 (Cd)	六价铬 (CR(VI))	多溴联苯 (PBB)	多溴二苯醚 (PBDE)
印刷电路板	X	O	O	O	O	O
金属零件	X	O	O	O	O	O
塑料零件	O	O	O	O	O	O
扬声器	X	O	O	O	O	O
线缆	X	O	O	O	O	O

此表格符合 SJ/T 11364 标准。
O：表示此零件中所有同类物质包含的有毒或有害物质低于 GB/T 26572 中的限定要求。
X：表示此零件使用的同类物质中至少有一种包含的有毒或有害物质高于 GB/T 26572 中的限定要求



此标志表示本产品不得作为生活垃圾丢弃，必须送至相关回收部门循环利用。适当的处理和回收有助于保护自然资源、人类健康以及自然环境。想了解更多有关本产品和回收的信息，请与当地民政部门、处理服务部或购买本产品的商店联系。



Bose Corporation 在此声明，本产品严格遵守 1999/5/EC 指令和其他所有适用的欧盟指令要求中的基本要求和和其他相关规定。您可以从下列位置找到完整的符合声明：
www.Bose.com/compliance。

中国进口商：Bose 电子（上海）有限公司，中国（上海）自由贸易试验区，日樱北路 353 号，9 号厂房 C 部

欧洲进口商：Bose Products B.V., Gorslaan 60, 1441 RG Purmerend, The Netherlands

台湾进口商：Bose 台湾分公司，105 台北市民生东路三段 131 号环球商业大楼 905 室

请填写以下内容，留作记录：

型号：_____

序列号：_____

购买日期：_____

建议您将发票和本用户指南保存在一起。

生产日期：

序列号中第一位粗体数字表示生产年份；“5”表示 2005 年或 2015 年。

简介	
Virtually Invisible® 791 系列 II 或 591 吸顶式扬声器介绍.....	4
开箱	4
推荐工具	4
扬声器连接线规格.....	4
布局原则	4
在未完工程中安装.....	4
安装扬声器	
切割扬声器孔.....	5
连接扬声器接线.....	5
安装扬声器	6
连接格栅板.....	6
维护与保养	
故障诊断	7
配件	7
客户服务	7
有限质保	7
技术信息	7

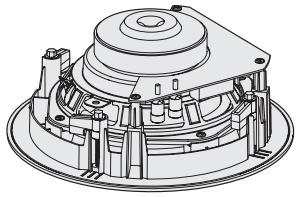
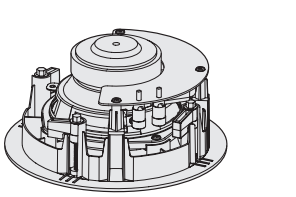
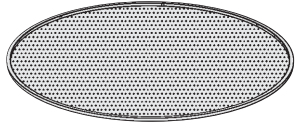
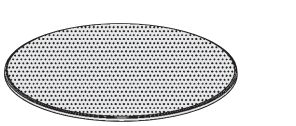
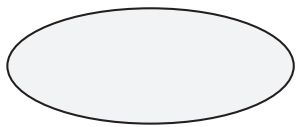
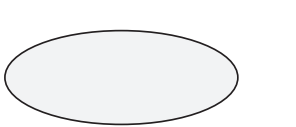
简介

Virtually Invisible® 791 系列 II 或 591 吸顶式扬声器介绍

Bose® Virtually Invisible® 791 系列 II 或 591 吸顶式扬声器可为室内立体声音乐播放和家庭影院系统提供卓越的音质。

开箱

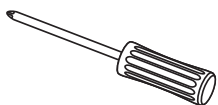
小心地拆开包装箱并确认是否含有以下部件：

Virtually Invisible® 791 系列 II 扬声器	Virtually Invisible® 591 扬声器
	
双扬声器	双扬声器
	
双扬声器格栅	双扬声器格栅
	
模板	模板

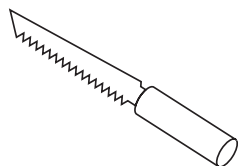
注意：如果系统部分损坏，请勿使用。请联系 Bose® 授权经销商或 Bose 客户服务处。请参阅包装箱内的联系方式列表。

推荐工具

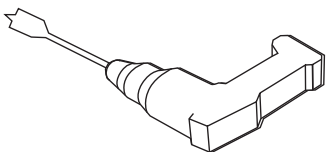
安装时可能需要以下工具：



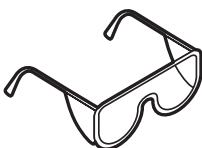
十字头螺丝刀



切割工具



动力钻



护目镜

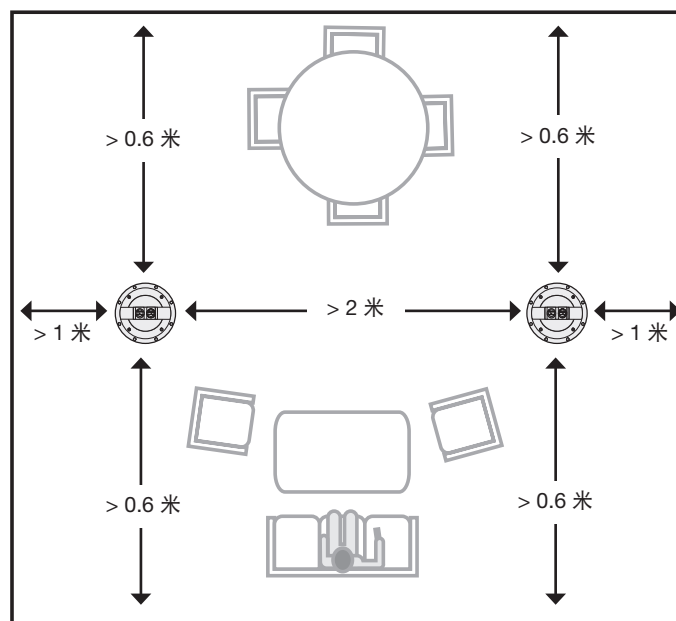
扬声器连接线规格

规格	最大长度
18 AWG (0.82 平方毫米)	6 米
16 AWG (1.3 平方毫米)	9 米
14 AWG (2.1 平方毫米)	15 米
12 AWG (3.3 平方毫米)	27 米

- 安装之前确保天花板的引出线足够长，能够连接到扬声器。
- 接线的两头各剥离 13 毫米的绝缘层。
- 请根据当地建筑法规选择正确的吸顶式安装接线。
- 有关安装扬声器接线的信息，请咨询专业电工或音频/视频安装人员。

布局原则

为了获得最佳立体声效果，请按照类似于下图所示的位置和所建议的最小距离来安装扬声器：



注意：

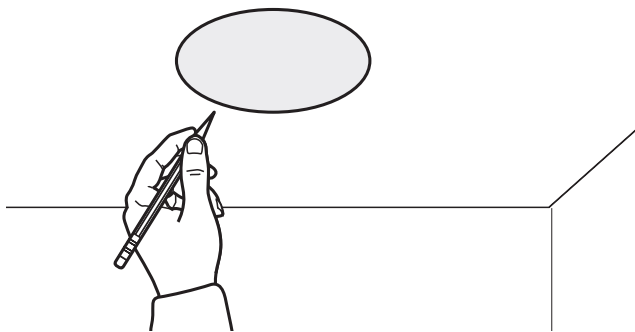
- 使用寻柱机确保扬声器安装孔至少深入托梁 12 厘米。
- 请仅将这些扬声器安装在木框或类似的结构中。Bose 建议使用 2 x 6 结构中间隔距离足够的桩来安装这些扬声器，并且只安装在木框或类似结构中。

在未完工程中安装

如果要在未完工程中安装，请购买 Bose 安装前工具套件。请参阅第 7 页上的“配件”。

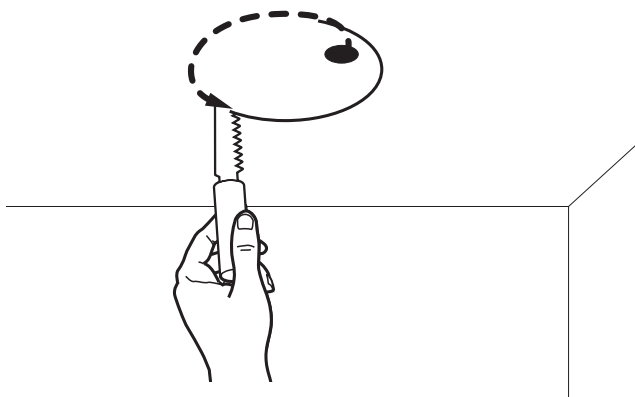
切割扬声器孔

1. 在安装扬声器的位置画下模板的轮廓线。



警告：画线时不要切入表面，以免损坏背面的电线或管道等，造成安全隐患。如果您对自己安装此扬声器的能力没有把握，请联系一位专业安装人员。

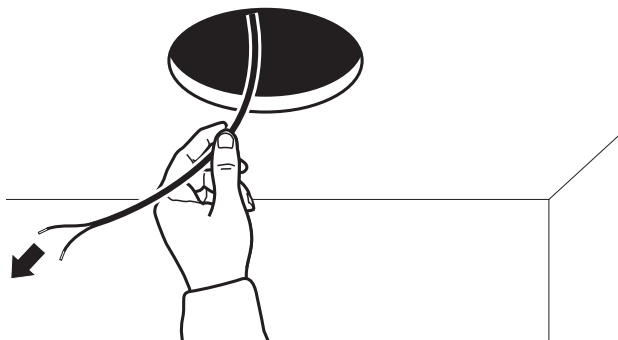
2. 在模板轮廓区域钻一个孔以足够插入切割工具。
3. 沿轮廓线切割。



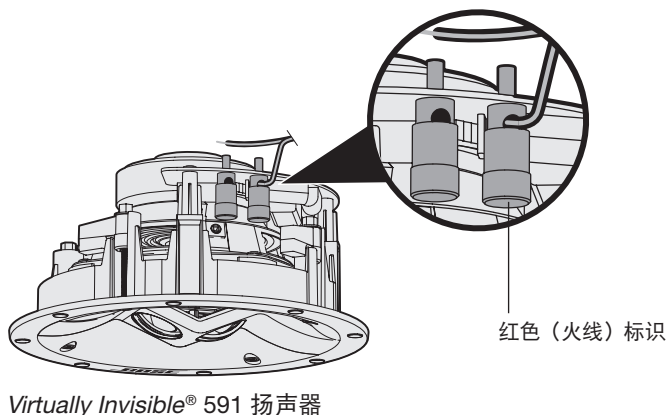
4. 取下切掉的部分。
5. 清除孔周围任何撕开或粗糙的材料。

连接扬声器接线

1. 将扬声器接线拉出至少 36 厘米。
从您站立的地方拉出足够的接线以连接扬声器。



2. 将火线连接到扬声器上的红色接头。
注意：接头颜色标识位于接头的顶端。



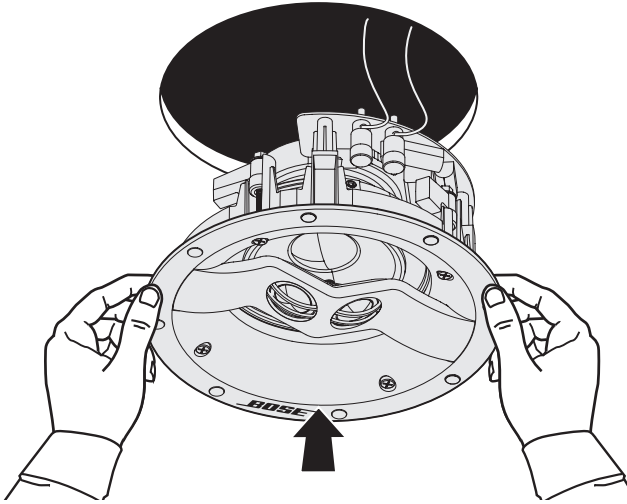
3. 将零线连接到扬声器上的黑色接头。

安装扬声器

安装扬声器

1. 握住外缘，将扬声器插入孔中。

注意：不要按压扬声器正面的两个小驱动单元。这会损坏扬声器。

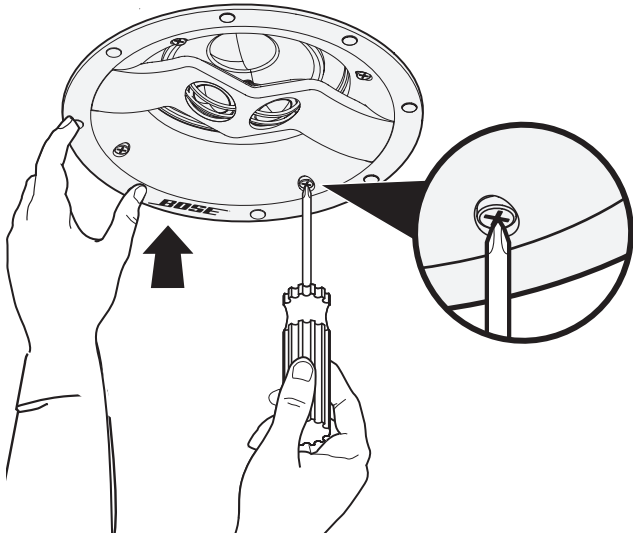


Virtually Invisible® 591 扬声器

小心：某些形式的绝缘材料（例如：马鬃灰泥、报纸、纤维素或任何开炉材料）可能会招致引燃风险。确保使所有绝缘材料远离扬声器。

2. 使用十字头螺丝刀拧紧所有固定螺丝。

注意：如果使用动力钻，请选择最低扭矩设置。

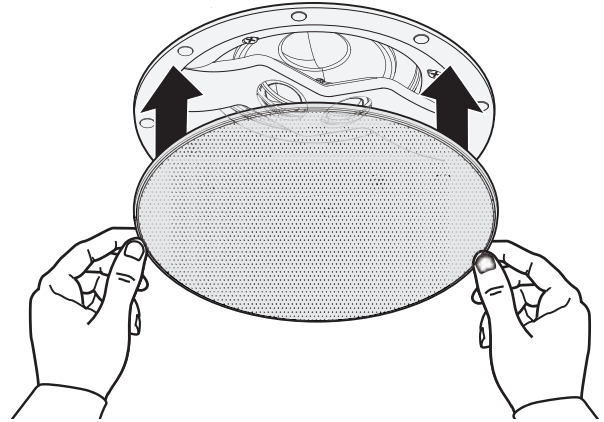


Virtually Invisible® 591 扬声器

连接格栅板

格栅具有磁性，吸附到扬声器边缘上。

将格栅安装到扬声器上。



Virtually Invisible® 591 扬声器

为格栅板上漆

在安装格栅之前，可以先对格栅上漆。Bose® 不对非工用漆料的粘着质量或光洁度负责。

- 在使用虹吸供料喷枪喷漆时，建筑乳胶漆或油基漆必须进行稀释。请参阅附随喷漆枪提供的用户指南了解相关原则。
- 请小心使用会导致格栅穿孔的尖锐工具清除油漆结块，否则会损坏格栅。

故障诊断

问题	措施
扬声器没有声音	<ul style="list-style-type: none"> • 确保扬声器线缆未与扬声器或接收器/放大器断开连接。 • 检查您接收器/放大器上的设置。有关设置说明，请参阅接收器/放大器用户指南。 • 如果您接收器/放大器的另一组音频输出上连接了其它立体声扬声器，请选择正确的 A 或 B 扬声器设置，使之与您的扬声器所连接的 A 或 B 输出相符。
仅一个扬声器有声音	<ul style="list-style-type: none"> • 将您接收器/放大器上的平衡控件置中。 • 确保接收器/放大器上的火线和零线端头没有连通。 • 从该接收器/放大器声道上断开连接线，将其重新连接到另一个声道上。 • 确保在两个扬声器相连接的地方接收器/放大器上的火线和零线端头未连通。 • 断开一个扬声器的接线并重新连接到另一个扬声器上。如若扬声器恢复正常，则您的扬声器需要维修。请参阅包装箱内的联系方式列表。 • 如果这些诊断方法不能解决问题，请替换并重新安装扬声器接线。
低音/高音较弱	<ul style="list-style-type: none"> • 调整您接收器/放大器上的音调平衡设置。 • 确保扬声器安装架与墙面之间没有间隙。 • 交换接收器/放大器上正负极端头上的接线。 • 从该接收器/放大器声道上断开连接线，将其重新连接到另一个声道上。
扬声器发出静电声/噪声	<ul style="list-style-type: none"> • 确保接线良好，并牢固连接到扬声器，接收器/放大器没有经过端头相互连通。 • 将音乐源正确连接到接收器/放大器。 • 请参阅“仅一个扬声器有声音”。

配件

对于未完工程，请使用 Bose® 安装前工具套件。

该套件包含两个扬声器的部件，用于在托梁就位后添加墙板前进行安装。安装后，该套件为每个扬声器保留一个空间，并会指示在墙板的什么位置钻扬声器孔。

有关更多信息或要订购附件，请联系 Bose 客服。请参阅包装箱内的联系方式列表。

客户服务

有关使用系统的其他帮助：

- 访问 owners.Bose.com
- 请联系 Bose 客户服务处。请参阅包装箱内的联系方式列表。

有限质保

系统受有限担保保护。包装箱中随附的产品登记卡上提供了有限质保的详细内容。有关如何登记的说明，请参见产品注册卡。未进行注册并不影响您的有限质保权利。

此产品的质保信息不适用于澳大利亚和新西兰。请访问 www.Bose.com.au/warranty 或 www.Bose.co.nz/warranty 网站，了解澳大利亚和新西兰适用的质保信息。

技术信息

兼容性

兼容每声道

10-100W 或 4 到 8 欧姆的放大器或接收器

Virtually Invisible® 791 系列 II: 50W IEC 连续承受功率；额定阻抗 6 欧姆

Virtually Invisible® 591: 50W IEC 连续承受功率；额定阻抗 8 欧姆

Virtually Invisible® 791 系列 II 驱动组合件：

两个以阵列形式配置的 25.4 毫米半球高音喇叭

一个 178 毫米 high-excursion 低音扩音器

Virtually Invisible® 591 扬声器组合件：

两个以阵列形式配置的 19 毫米半球高音喇叭

一个 127 毫米 high-excursion 低音扩音器

Virtually Invisible® 791 系列 II 尺寸：

直径：214 毫米

延伸进天花板深度：105.2 毫米

格栅直径：254 毫米

天花板孔径：219 毫米

Virtually Invisible® 591 尺寸：

直径：166 毫米

延伸进天花板深度：96.7 毫米

格栅直径：206 毫米

天花板孔径要求：170 毫米直径

重量

Virtually Invisible® 791 系列 II: 2.18 公斤

Virtually Invisible® 591: 每个重 1.45 公斤

重要安全性指示

請仔細閱讀本使用者指南，並將其儲存以供日後參考。



警告：

- 請勿將明火火源（如點燃的蠟燭）置於本產品上或靠近本產品。
- 在使用所有 Bose® 產品時，必須遵守當地、州、聯邦和行業規範。安裝人員有責任確保揚聲器安裝和系統安裝都符合適用的建築法規，包括當地的建築法規和規定。
- 不安全地壁掛或懸掛重物會導致嚴重的人身傷害和設備損壞。安裝人員需要負責評估所用安裝方法的可靠性。



小心：

- 這些揚聲器未設計用於在牆壁、磚石天花板或吊頂上安裝，也不建議安裝在上述位置。
- 本產品不是為在空氣調節穩壓層中使用而設計的。
- 請參閱產品外殼上有關安全的標記。
- 請不要改裝揚聲器或配件。未經授權的改裝可能會對安全性、合規性和系統效能造成負面影響。
- 請務必按照本指南中的安裝說明使所有絕緣材料都遠離揚聲器。



警告： 包含小部件，可能導致窒息危險。不適合 3 歲以下的兒童使用。



警告： 本產品含有磁性材料。如果懷疑此產品會影響植入醫療設備的運行，請諮詢醫生。

備註： 必須在室內使用本產品。在室外、旅遊汽車或船舶上使用本產品均不符合本產品的設計或測試初衷。

重要安全性指示

- 閱讀這些指示。
- 保留這些指示。
- 注意所有警告。
- 請遵守所有指示。
- 不要在水邊使用此裝置。
- 請按照製造商的說明安裝。
- 請勿在熱源附近安裝，如暖氣片、熱調節裝置、火爐或可發熱的其他裝置（包括擴音器）。
- 只能使用製造商指定的附件/配件。

有毒或有害物質或元素的名稱及成分

零件名稱	有毒或有害物質或元素					
	鉛 (Pb)	汞 (Hg)	鎘 (Cd)	六價鉻 (CR(VI))	多溴化聯苯 (PBB)	多溴二苯醚 (PBDE)
列印電路板	X	○	○	○	○	○
金屬零件	X	○	○	○	○	○
塑膠零件	○	○	○	○	○	○
揚聲器	X	○	○	○	○	○
連接線	X	○	○	○	○	○

此表格符合 SJ/T 11364 標準。
○：表示此零件中所有同類物質包含的有毒或有害物質低於 GB/T 26572 中的限定要求。
X：表示此零件使用的同類物質中至少有一種包含的有毒或有害物質高於 GB/T 26572 中的限定要求。



此標誌表示本產品不得作為生活垃圾丟棄，必須送至相關回收部門循環利用。適當的處理和回收有助於保護自然資源、人類健康以及自然環境。想了解更多有關本產品和回收的資訊，請與當地民政部門、處理服務部或購買本產品的商店聯絡。



Bose Corporation 在此聲明本產品嚴格遵守 1999/5/EC 指令和其他所有適用於歐盟指令要求中的基本要求和相關規定。您可以從以下位置找到完整的符合聲明：
www.Bose.com/compliance。

中國進口商： Bose 電子（上海）有限公司，中國（上海）自由貿易試驗區，日櫻北路 353 號，9 號廠房 C 部

歐洲進口商： Bose Products B.V., Gorslaan 60, 1441 RG Purmerend, The Netherlands

台灣進口商： Bose 台灣分公司，105 台北市民生東路三段 131 號環球商業大樓 905 室

請填寫以下內容，留作記錄：

型號：_____

序號：_____

購買日期：_____

建議您將發票和本使用者指南保存在一起。

生產日期：

序號中第一位粗體數字表示生產年份；「5」表示 2005 年或 2015 年。

VIRTUALLY INVISIBLE 是 Bose Corporation 在美國和其他國家的註冊商標。

©2017 Bose Corporation. 未經事先書面許可，不得複製、修改、發行或以其他方式使用本資料的任何部分。

簡介	
<i>Virtually Invisible</i> ® 791 系列 II 或 591 吸頂式揚聲器介紹.....	4
開箱	4
推薦工具	4
揚聲器連接線規格.....	4
佈局原則	4
在未完工程中安裝.....	4
安裝揚聲器	
切割揚聲器孔	5
連接揚聲器接線	5
安裝揚聲器	6
連接格柵板	6
維護與保養	
疑難排解	7
配件	7
客戶服務	7
有限質保	7
技術資訊	7

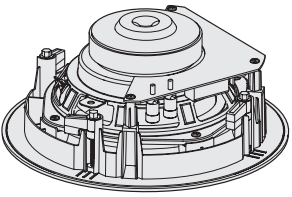
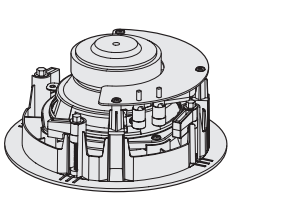
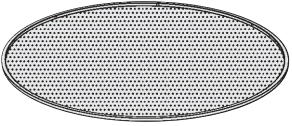
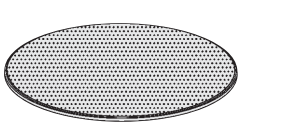
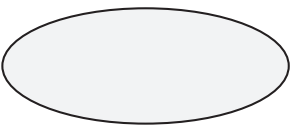
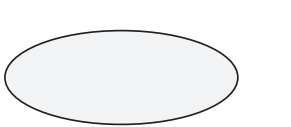
簡介

Virtually Invisible® 791 系列 II 或 591 吸頂式揚聲器介紹

Bose® Virtually Invisible® 791 系列 II 或 591 吸頂式揚聲器可為室內身歷聲音樂播放和家庭影院系統提供卓越的音質。

開箱

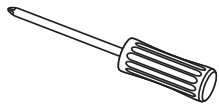
小心地拆開包裝箱並確認是否含有以下部件：

Virtually Invisible® 791 系列 II 揚聲器	Virtually Invisible® 591 揚聲器
	
雙揚聲器	雙揚聲器
	
雙揚聲器格柵	雙揚聲器格柵
	
範本	範本

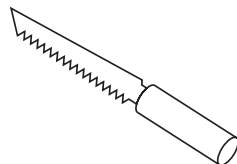
備註：如果系統部分損壞，請勿使用。請立即聯絡 Bose® 授權經銷商，或聯絡 Bose 客戶服務處。請參閱包裝箱內的連絡方式清單。

推薦工具

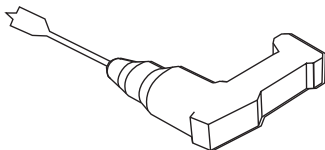
安裝時可能需要以下工具：



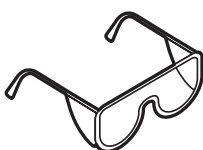
十字頭螺絲刀



切割工具



動力鑽



護目鏡

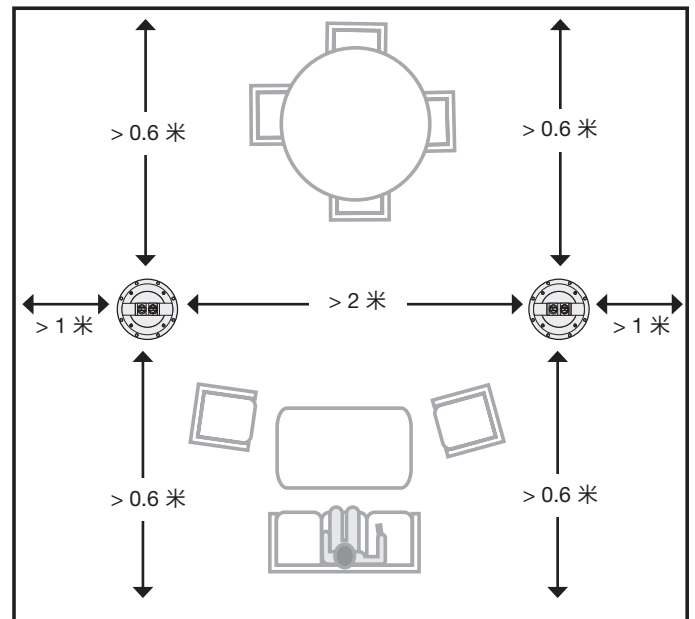
揚聲器連接線規格

規格	最大長度
18 AWG (0.82 平方公釐)	6 米
16 AWG (1.3 平方公釐)	9 米
14 AWG (2.1 平方公釐)	15 米
12 AWG (3.3 平方公釐)	27 米

- 安裝之前確保天花板的引出線足夠長，能夠連接到揚聲器。
- 接線的兩頭各剝離 13 公釐的絕緣層。
- 請根據當地建築法規選擇正確的吸頂式安裝接線。
- 有關安裝揚聲器接線的資訊，請諮詢專業電工或音訊/視訊安裝人員。

佈局原則

為了獲得最佳身歷聲效果，請按照類似於下圖所示的位置和所建議的最小距離來安裝揚聲器：



備註：

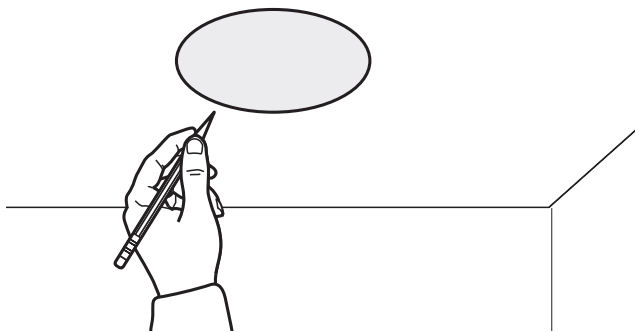
- 使用尋柱機確保揚聲器安裝孔至少深入託梁 12 公分。
- 請僅將這些揚聲器安裝在木框或類似的結構中。Bose 建議使用 2 x 6 結構中間隔距離足夠的樁來安裝這些揚聲器，並且只安裝在木框或類似結構中。

在未完工程中安裝

如果要在未完工程中安裝，請購買 Bose 安裝前工具套件。請參閱第 7 頁上的「配件」。

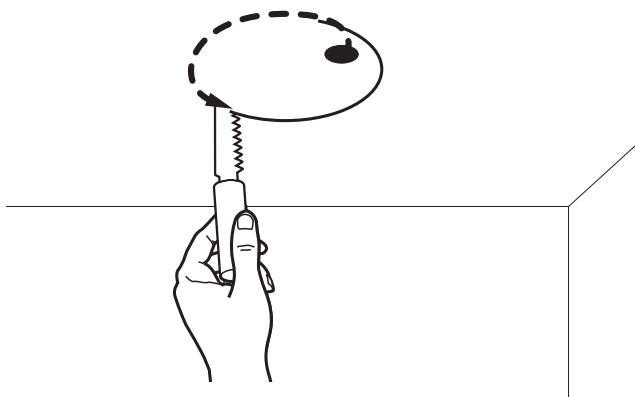
切割揚聲器孔

1. 在安裝揚聲器的位置畫下範本的輪廓線。



警告：畫線時不要切入表面，以免損壞背面的電線或管道等，造成安全隱患。如果您對自己安裝此揚聲器的能力沒有把握，請聯絡一位專業安裝人員。

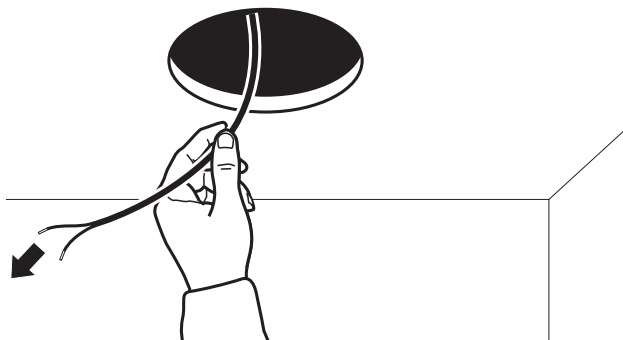
2. 在範本輪廓區域鑽一個孔以足夠插入切割工具。
3. 沿輪廓線切割。



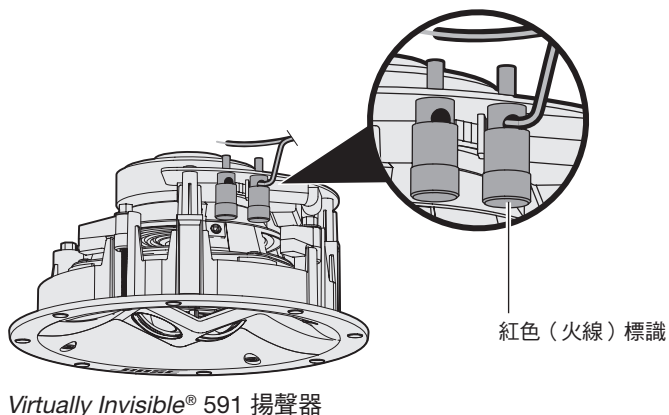
4. 取下切掉的部分。
5. 清除孔周圍任何撕開或粗糙的材料。

連接揚聲器接線

1. 將揚聲器接線拉出至少 36 公分。
從您站立的地方拉出足夠的接線以連接揚聲器。



2. 將火線連接到揚聲器上的紅色接頭。
備註：接頭顏色標識位於接頭的頂端。



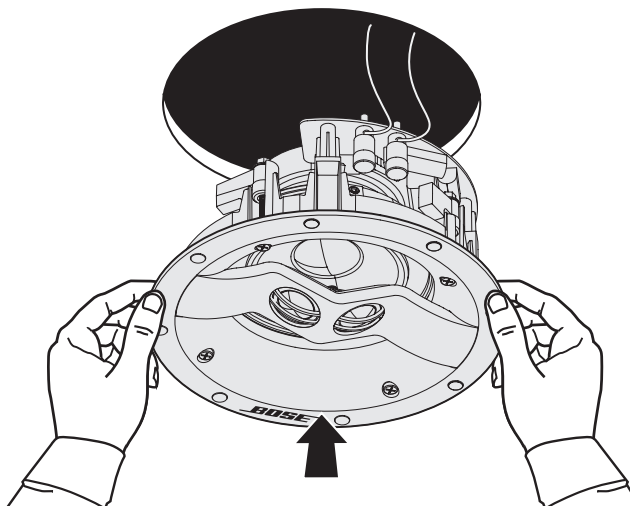
3. 將零線連接到揚聲器上的黑色接頭。

安裝揚聲器

安裝揚聲器

1. 握住外緣，將揚聲器插入孔中。

備註：不要按壓揚聲器正面的兩個小驅動單元。這會損壞揚聲器。

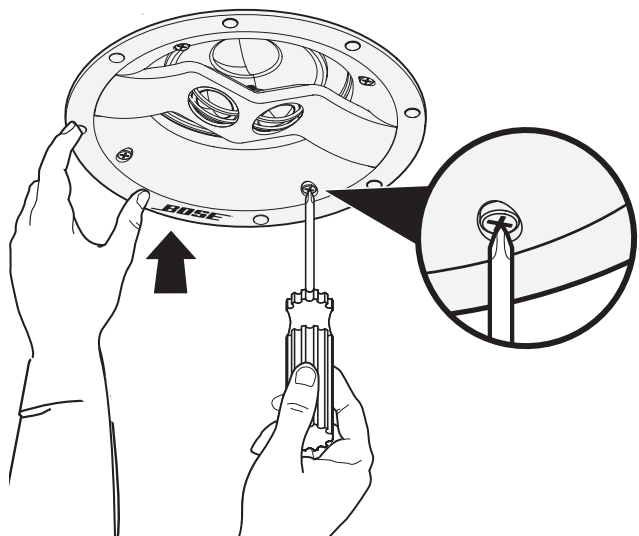


Virtually Invisible® 591 揚聲器

小心：某些形式的絕緣材料（例如：馬鬃灰泥、報紙、纖維素或任何開爐材料）可能會招致引燃風險。確保使所有絕緣材料遠離揚聲器。

2. 使用十字頭螺絲刀擰緊所有固定螺絲。

備註：如果使用動力鑽，請選擇最低扭矩設定。

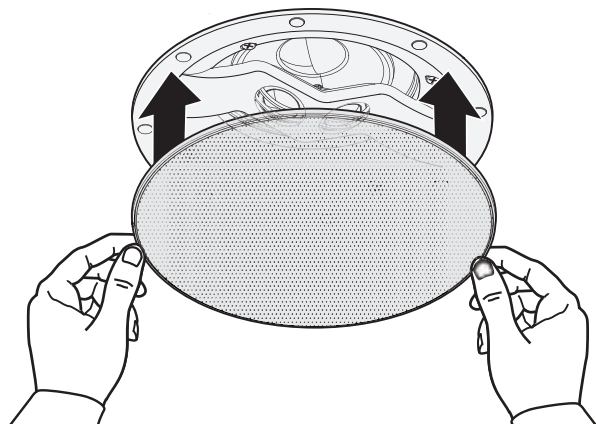


Virtually Invisible® 591 揚聲器

連接格柵板

格柵具有磁性，吸附到揚聲器邊緣上。

將格柵安裝到揚聲器上。



Virtually Invisible® 591 揚聲器

為格柵板上漆

在安裝格柵之前，可以先對格柵上漆。Bose® 不對非工用漆料的粘著品質或光潔度負責。

- 在使用虹吸供料噴槍噴漆時，建築乳膠漆或油基漆必須進行稀釋。請參閱附隨噴漆槍提供的使用者指南了解相關原則。
- 請小心使用會導致格柵穿孔的尖銳工具清除油漆結塊，否則會損壞格柵。

疑難排解

問題	措施
揚聲器沒有聲音	<ul style="list-style-type: none"> 確保揚聲器線纜未與揚聲器或接收器/放大器斷開連接。 檢查您接收器/放大器上的設定。有關設定說明，請參閱接收器/放大器使用者指南。 如果您接收器/放大器的另一組音訊輸出上連接了其它身歷聲揚聲器，請選擇正確的 A 或 B 揚聲器設定，使之與您的揚聲器所連接的 A 或 B 輸出相符。
僅一個揚聲器有聲音	<ul style="list-style-type: none"> 將您接收器/放大器上的平衡控制項置中。 確保接收器/放大器上的火線和零線端頭沒有連通。 從該接收器/放大器聲道上斷開連接線，將其重新連接到另一個聲道上。 確保在兩個揚聲器相連接的地方接收器/放大器上的火線和零線端頭未連通。 斷開一個揚聲器的接線並重新連接到另一個揚聲器上。如此若揚聲器恢復正常，則您的揚聲器需要維修。請參閱包裝箱內的連絡方式清單。 如果這些診斷方法不能解決問題，請替換並重新安裝揚聲器接線。
低音/高音較弱	<ul style="list-style-type: none"> 調整您接收器/放大器上的音調平衡設定。 確保揚聲器安裝架與牆面之間沒有間隙。 交換接收器/放大器上正負極端頭上的接線。 從該接收器/放大器聲道上斷開連接線，將其重新連接到另一個聲道上。
揚聲器發出靜電聲/雜訊	<ul style="list-style-type: none"> 確保接線良好，並牢固連接到揚聲器，接收器/放大器沒有經過端頭相互連通。 將音樂源正確連接到接收器/放大器。 請參閱「僅一個揚聲器有聲音」。

配件

對於未完工程，請使用 Bose® 安裝前工具套件。

該套件包含兩個揚聲器的部件，用於在托梁就位後新增牆板前進行安裝。安裝後，該套件為每個揚聲器保留一個空間，並會指示在牆板的什麼位置鑽揚聲器孔。

有關更多資訊或要訂購配件，請聯絡 Bose 客服。請參閱包裝箱內的連絡方式清單。

客戶服務

有關使用系統的其他說明：

- 訪問 owners.Bose.com
- 請聯絡 Bose 客戶服務處。請參閱包裝箱內的連絡方式清單。

有限質保

系統受有限擔保保護。包裝箱中隨附的產品登記卡上提供了有限質保的詳細內容。有關如何登記的說明，請參見產品註冊卡。未進行註冊並不影響您的保修期權利。

本產品的質保資訊並不適用於澳大利亞和紐西蘭。請瀏覽 www.Bose.com.au/warranty 或 www.Bose.co.nz/warranty 網站，了解澳大利亞和紐西蘭適用的質保資訊。

技術資訊

相容性

相容每聲道

10-100W 或 4 到 8 歐姆的放大器或接收器

Virtually Invisible® 791 系列 II：50W IEC 連續承受功率；額定阻抗 6 歐姆

Virtually Invisible® 591：50W IEC 連續承受功率；額定阻抗 8 歐姆

***Virtually Invisible*® 791 系列 II 驅動組套件：**

兩個以陣列形式配置的 25.4 公釐半球高音喇叭

一個 178 公釐 high-excursion 低音擴音器

***Virtually Invisible*® 591 驅動組套件：**

兩個以陣列形式配置的 19 公釐半球高音喇叭

一個 127 公釐 high-excursion 低音擴音器

***Virtually Invisible*® 791 系列 II 尺寸：**

直徑：214 公釐

延伸進天花板深度：105.2 公釐

格柵直徑：254 公釐

天花板孔徑：219 公釐

***Virtually Invisible*® 591 尺寸：**

直徑：166 公釐

延伸進天花板深度：96.7 公釐

格柵直徑：206 公釐

天花板孔徑要求：170 公釐直徑

重量

Virtually Invisible® 791 系列 II：每個 2.18 公斤

Virtually Invisible® 591：每個重 1.45 公斤

安全上の留意項目

このオーナーズガイドに記載された内容をよくお読みください。また、必要なときにすぐご覧になれるように、大切に保管しておくことをおすすめいたします。



警告:

- 火の付いたろうそくなどの火気を、製品の上や近くに置かないでください。
- Bose製品をご使用いただく際は、必ず地域と業界指導の安全基準に従ってください。設置者には、お住まいの地域の法令等や建築関連法規に従ってスピーカーおよびマウント用システムの設置を行うことが義務付けられています。
- スピーカーを不安定な状態で取り付けたり、天井に設置する場合、深刻なけがや機器の破損を招くおそれがあります。設置者は、取り付け方法に問題がないことを必ず確認する必要があります。



注意:

- このスピーカーは壁面やブロック天井、釣り天井などに設置するために設計されたものではなく、そのような取り付け方法はお勧めできません。
- 本製品は通気用ダクト内に設置して使用するものではありません。
- 製品本体の安全に関する表示を参照してください。
- スピーカーまたはアクセサリを改造しないでください。許可なく製品を改造すると、安全性、法令の遵守、およびシステムパフォーマンスを損なう原因となる場合があります。
- 設置に関する本書の説明に従い、周囲に断熱材が施されていない場所にスピーカーを設置してください。



警告: のどに詰まりやすい小さな部品が含まれています。3歳未満のお子様には適していません。



警告: この製品には磁性材料が含まれています。埋め込み型医療機器の動作に影響があるかどうかについては、医師にご相談ください。

注記: この製品は室内専用機器です。屋外、RV車内、船上などで使用するようには設計されていません。また、そのような使用環境におけるテストも行われていません。

安全上の留意項目

- 本書をよくお読みください。
- 必要なときにご覧になれるよう、本書を保管してください。
- すべての注意と警告に留意してください。
- すべての指示に従ってください。
- この製品を水の近くで使用しないでください。
- ボーズ社の指示に従って設置してください。
- ラジエータ、暖房送風口、ストーブ、その他の熱を発生する装置(アンプを含む)の近くには設置しないでください。
- 必ずメーカーにより指定された付属品、あるいはアクセサリのみをご使用ください。

Names and Contents of Toxic or Hazardous Substances or Elements						
Toxic or Hazardous Substances and Elements						
Part Name	Lead (Pb)	Mercury (Hg)	Cadmium (Cd)	Hexavalent (CR(VI))	Polybrominated Biphenyl (PBB)	Polybrominated diphenylether (PBDE)
PCBs	X	O	O	O	O	O
Metal parts	X	O	O	O	O	O
Plastic parts	O	O	O	O	O	O
Speakers	X	O	O	O	O	O
Cables	X	O	O	O	O	O

This table is prepared in accordance with the provisions of SJ/T 11364.
 O: Indicates that this toxic or hazardous substance contained in all of the homogeneous materials for this part is below the limit requirement of GB/T 26572.
 X: Indicates that this toxic or hazardous substance contained in at least one of the homogeneous materials used for this part is above the limit requirement of GB/T 26572



This symbol means the product must not be discarded as household waste, and should be delivered to an appropriate collection facility for recycling. Proper disposal and recycling helps protect natural resources, human health and the environment. For more information on disposal and recycling of this product, contact your local municipality, disposal service, or the shop where you bought this product.



Bose Corporation hereby declares that this product is in compliance with the essential requirements and other relevant provisions of Directive 1999/5/EC and all other applicable EU directive requirements. The complete declaration of conformity can be found at: www.Bose.com/compliance

中国における輸入元: Bose Electronics (Shanghai) Company Limited, Part C, Plan 9, No. 353 North Riyang Road, China (Shanghai) Pilot Free Trade Zone

EUにおける輸入元: Bose Products B.V., Gorslaan 60, 1441 RG Purmerend, The Netherlands

台湾における輸入元: Bose Taiwan Branch, Room 905, 9F, Worldwide House, 131 Min Sheng East Rd, Section 3, Taipei, Taiwan, 105

控えとして、製品のシリアル番号を下欄にご記入ください。

モデル番号: _____

シリアル番号: _____

購入日: _____

このガイドとともに、ご購入時の領収証と保証書を保管することをおすすめします。

製造日:

シリアル番号の太字で表記されている1桁目の数字は製造年を表します。「5」は2005年または2015年です。

はじめに

<i>Virtually Invisible</i> ® 791 series II / 591 in-ceiling speakers について	4
内容物の確認	4
推奨される工具	4
スピーカーケーブルの選択	4
設置のためのガイド	4
建築中の建物への配置	4

スピーカーを設置する

スピーカー用開口部をあける	5
スピーカーケーブルを接続する	5
スピーカーを設置する	6
グリルを取り付ける	6

お手入れについて

故障かな?と思ったら	7
アクセサリ	7
お問い合わせ先	7
保証	7
仕様	7

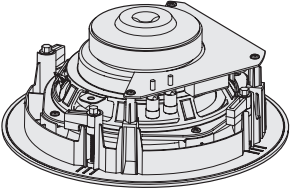
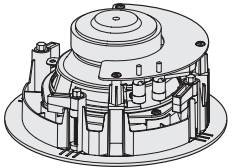
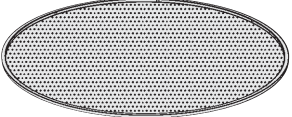
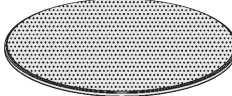


はじめに

Virtually Invisible® 791 series II / 591 in-ceiling speakers について

The Bose® Virtually Invisible® 791 series II / 591 in-ceiling speakersは、音楽を最高のパフォーマンスでステレオ再生できるビルトインシステムです。

内容物の確認

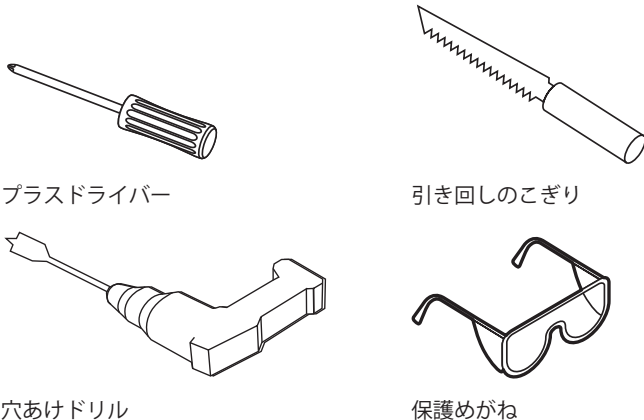
箱の中身を取り出して、下図の内容物がすべて同梱されていることを確認してください。

Virtually Invisible® 791 series II speakers	Virtually Invisible® 591 speakers
	
スピーカー 2本	スピーカー 2本
	
スピーカーグリル2枚	スピーカーグリル2枚
	
テンプレート	テンプレート

注記: 万一、開梱時に内容物の損傷や欠品などが発見された場合は、そのままの状態を保ち、ただちにお買い上げになった販売店までご連絡ください。

推奨される工具

設置には以下の工具が必要となる場合があります。



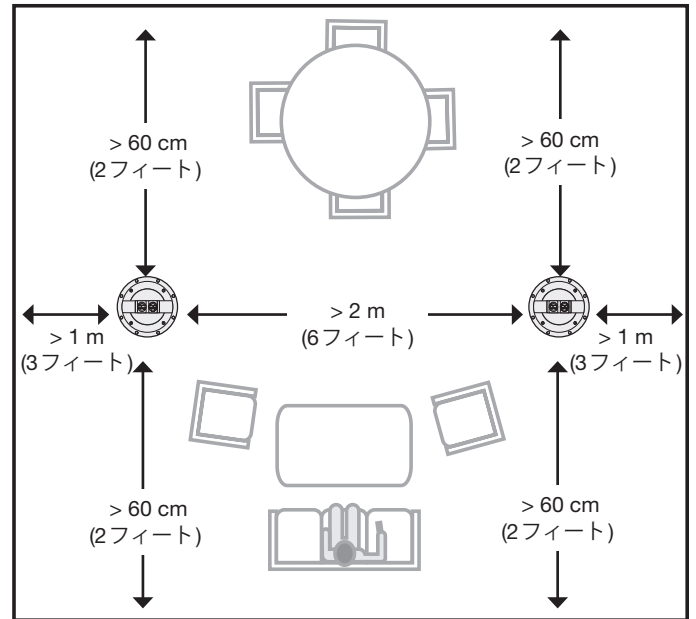
スピーカーケーブルの選択

ゲージ	最大長
18 AWG (0.82 mm ²)	6 m (20 フィート)
16 AWG (1.3 mm ²)	9 m (30 フィート)
14 AWG (2.1 mm ²)	15 m (50 フィート)
12 AWG (3.3 mm ²)	27 m (90 フィート)

- 天井のスピーカーに配線するために十分な長さのケーブルを用意してから設置してください。
- ケーブル両端の被膜をそれぞれ13 mm (½インチ)ほど剥いておきます。
- 隠ぺい配線を行う際は、お住まいの地域の法令等に準拠したケーブルをご確認ください。
- スピーカーケーブルの配線方法について詳しくは、専門の施工業者や電気工事士にご相談ください。

設置のためのガイド

スピーカーの性能を最大限に発揮するには、スピーカー同士や壁との間の最小距離を保ち、下の図のような向きと位置に設置してください。



注記:

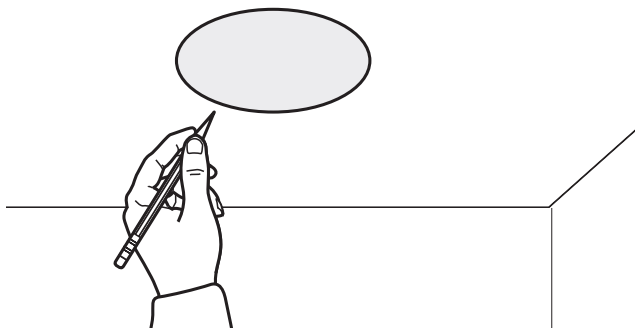
- スタッドセンサー（間柱検知器）などを使用して、梁から12 cm (4¾インチ)以上離れた場所にスピーカー用開口部を設けてください。
- このスピーカーは、木造枠組工法で製作された天井専用です。Boseでは、ツーバイシックス工法などの木造枠組工法により製作され、間柱が適度な幅で配置されている天井にスピーカーを取り付けることをおすすめします。

建築中の建物への配置

建築中の建物への設置を予定している場合は、専用キット (Bose rough in kit) をご購入ください。「アクセサリ」(7ページ) をご覧ください。

スピーカー用開口部をあける

1. スピーカーを設置する場所にテンプレートをあてて、鉛筆などでテンプレートをなぞります。

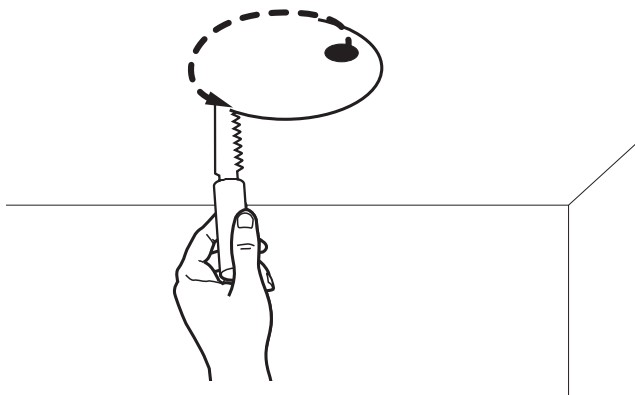


警告: スピーカー設置作業の安全性に不安がある場合は、専門の設置業者にご相談ください。天井の裏側に電線や配管などが隠れている場所に開口部をあけないでください。

2. ドリルを使用して、印を付けた範囲の内側にのこぎりを差し込める穴をあけます。

注意: ドリルやのこぎりを使用するときは、保護めがねを着用し、安全に十分配慮してください。

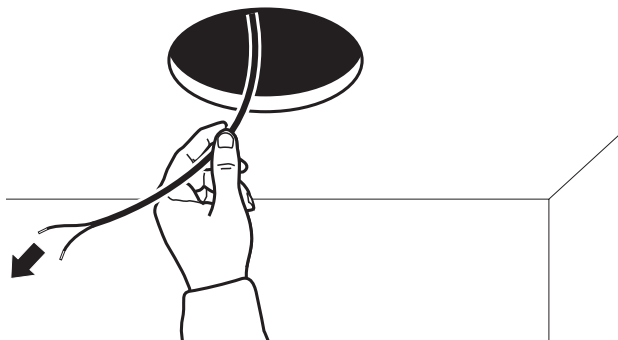
3. テンプレートの線に沿って天井面を切ります。



4. 切り離れた天井材を取り除きます。
5. 開口部に残っているささくれなどを落とし、縁を滑らかにします。

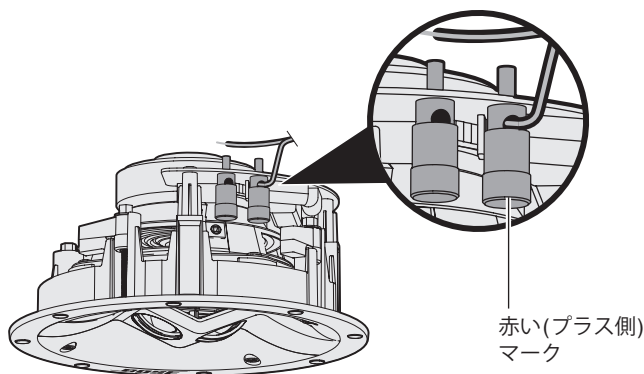
スピーカーケーブルを接続する

1. スピーカーケーブルを36 cm (14インチ)以上引き出します。作業を行う場所でスピーカーに接続できる十分な長さを引き出してください。



2. プラス側のケーブルをスピーカーの赤いマークのある端子に接続します。

注記: マークは端子の先端に付けられています。



Virtually Invisible® 591 speaker

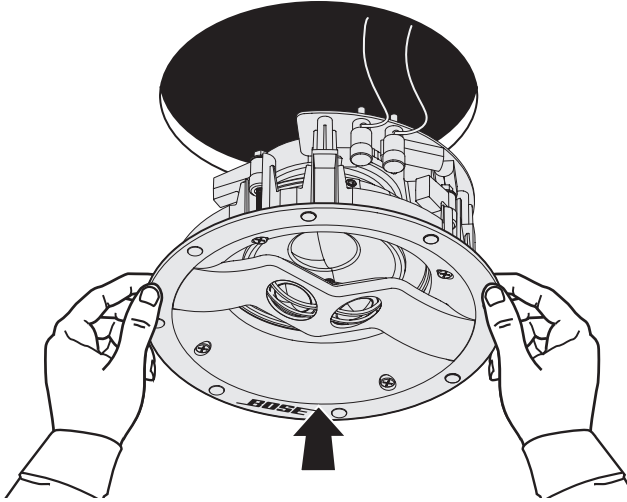
3. マイナス側のケーブルをスピーカーの黒いマークのある端子に接続します。

スピーカーを設置する

スピーカーを設置する

1. フレームの縁を持って、スピーカーを開口部に差し込みます。

注記: スピーカーの表面にある2つのドライバー部分を指で押さないでください。スピーカーが損傷するおそれがあります。

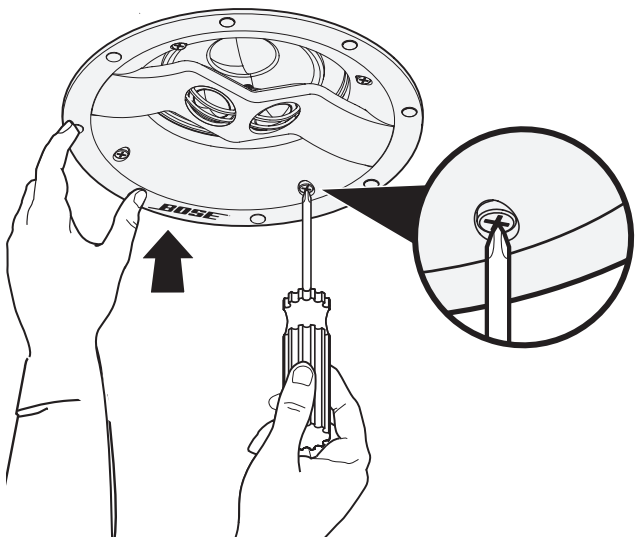


Virtually Invisible® 591 speaker

注意: 一部の断熱材(羊毛断熱材、古紙、セルロースファイバー、ウレタンフォームなど)には、引火の危険性が伴う場合があります。必ず、周囲に断熱材が施されていない場所にスピーカーを設置してください。

2. プラスドライバーを使用して、締め付けネジをすべて締めます。

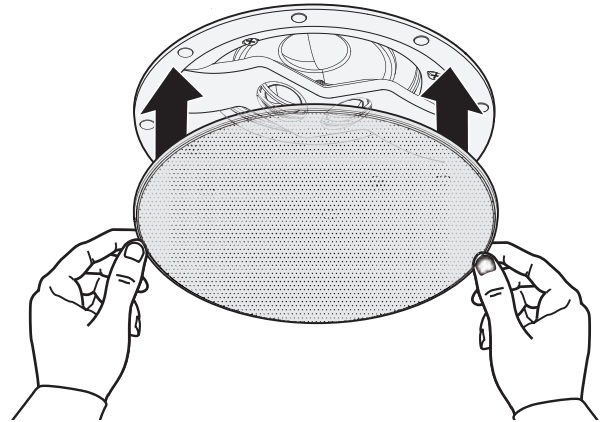
注記: 電動ドライバーを使用する場合は、トルクを最低に設定してください。



Virtually Invisible® 591 speaker

グリルを取り付ける

グリルは磁石の力でスピーカーのフレームに取り付けます。スピーカーの上にグリルをかぶせます。



Virtually Invisible® 591 speaker

グリルに色を付ける

スピーカーにグリルを取り付ける前に、グリルを塗装することができますが、塗装の乗りの具合や、工場出荷時の塗装状態以外の仕上がりに関しては、Bose®は一切の責任を負いません。

- 建築用のラテックス塗料やオイル塗料をスプレーガンで使用する場合は、薄めておく必要があります。詳しくは、スプレーガンの取扱説明書をご覧ください。
- 先の尖ったものでグリルの穴に詰まった塗料を取り除く場合は、グリルを損傷しないように十分ご注意ください。

故障かな？と思ったら

トラブル	対処方法
スピーカーから音が出ない	<ul style="list-style-type: none"> • スピーカーケーブルがスピーカーまたはレシーバーやアンプから外れていないことを確認します。 • レシーバーやアンプの設定を確認します。設定の手順については、レシーバーやアンプの取扱説明書をご覧ください。 • レシーバーやアンプの音声出力にスピーカーを2系統接続している場合は、スピーカーに接続されている方の出力系統が正しく選択されていることを確認します。
片側のスピーカーから音が出ない	<ul style="list-style-type: none"> • レシーバーやアンプのバランスコントロールを中央にセットします。 • レシーバーやアンプの出力端子の回りで、プラス側とマイナス側のケーブルがショートしていないか確認します。 • レシーバーやアンプのチャンネルからスピーカーケーブルを外して、別のチャンネルに接続します。 • スピーカー端子の回りで、プラス側とマイナス側のケーブルがショートしていないか確認します。 • 音が出ない方のスピーカーからケーブルを外して、別のスピーカーに接続します。これで音が出る場合は、スピーカーの修理が必要です。カスタマーサービスへお問い合わせください。 • これらの手順を試しても問題が解決しない場合は、スピーカーケーブルを交換してください。
低音または高音が小さい	<ul style="list-style-type: none"> • レシーバーやアンプのトーンコントロールを調整します。 • スピーカーのフレームと天井面の間に隙間がないか確認します。 • レシーバーやアンプのプラス側とマイナス側の端子に接続したケーブルを入れ替えてみます。 • レシーバーやアンプのチャンネルからスピーカーケーブルを外して、別のチャンネルに接続します。
スピーカーから雑音が聞こえる	<ul style="list-style-type: none"> • ケーブルに傷などがなく、スピーカーとレシーバーやアンプにしっかりと接続されており、ケーブルの一部がショートしていないことを確認します。 • レシーバーやアンプと再生機器に接続が適切であることを確認します。 • 「片側のスピーカーから音が出ない」をご覧ください。

アクセサリ

建築中の建物に設置する場合は、Bose® rough-in kitをご利用ください。

このキットは、建物に梁が配置されてから天井が付けられる前にスピーカー2本を取り付けるための目的で設計されたものです。このキットを取り付けると、各スピーカーを取り付ける位置が確保され、天井のどの位置に開口部をあけるかを後で確認できます。

アクセサリに関する詳しい情報とご注文については、ボーズ株式会社カスタマーサービスにお問い合わせください。
専用ナビダイヤル 0570-080-021

お問い合わせ先

トラブル解決のための詳細情報は、以下の方法で入手できます。

- owners.Bose.comにアクセスします。
- カスタマーサービスへお問い合わせください。
専用ナビダイヤル 0570-080-021

保証

製品保証の詳細は (<http://bose.co.jp/rep>) をご覧ください。製品のご登録をお願いいたします。登録は、<http://global.Bose.com/register> から簡単に行えます。製品を登録されない場合でも、保証の内容に変更はありません。

本製品の保証内容は、オーストラリアおよびニュージーランドでは適用されません。オーストラリアおよびニュージーランドでの保証の詳細については、弊社Webサイト (www.Bose.com.au/warranty または www.Bose.co.nz/warranty) をご覧ください。

仕様

互換性について

以下の定格のアンプまたはレシーバーに対応しています。

10 ~ 100W (各チャンネル)/インピーダンス: 4 ~ 8Ω

Virtually Invisible® 791 series II: 連続出力: 50W IEC、インピーダンス: 6Ω

Virtually Invisible® 591: 連続出力: 50W IEC、インピーダンス: 8Ω

Virtually Invisible® 791 series IIのドライバーコンポーネント:

アレイ構成ドーム型ツイーター 25.4 mm (1") × 2

ハイエクスクーションウーファー 178 mm (7") × 1

Virtually Invisible® 591のドライバーコンポーネント:

アレイ構成ドーム型ツイーター 19 mm (¾") × 2

ハイエクスクーションウーファー 127 mm (5") × 1

Virtually Invisible® 791 series IIの外形寸法:

直径: 214 mm

天井の奥行: 105.2 mm

グリルの直径: 254 mm

天井開口部の直径: 219 mm

Virtually Invisible® 591の外形寸法:

直径: 166 mm

天井の奥行: 96.7 mm

グリルの直径: 206 mm

天井開口部の直径: 直径170 mm

質量(本体のみ)

Virtually Invisible® 791 series II: 1台あたり約2.18 kg

Virtually Invisible® 591: 1台あたり約1.45 kg

الضمان المحدود

نظامك مغطى بضمان محدود قابل للنقل. يتم وضع بيانات الضمان المحدود على بطاقة تسجيل المنتج الموجودة في العلبة الكرتونية. يرجى الرجوع للبطاقة للاطلاع على التعليمات الخاصة بكيفية التسجيل. ولن يؤثر عدم القيام بالتسجيل على الحقوق المكفولة لك بموجب الضمان المحدود.

لا تنطبق معلومات الضمان المقدمة مع هذا المنتج في أستراليا ونيوزيلندا. راجع موقع الويب الخاص بنا على www.Bose.com.au/warranty أو www.Bose.co.nz/warranty للحصول على تفاصيل عن الضمان في أستراليا ونيوزيلندا.

المعلومات الفنية

التوافيق

متوافقة مع مكبرات الصوت أو أجهزة الاستقبال المقننة

100-10 وات لكل قناة/مقننة من 4 إلى 8 أوم

791 series II Virtually Invisible: 50 وات IEC تعامل مستمر مع الطاقة؛ 6 أوم مقننة

591 Virtually Invisible: 50 وات IEC تعامل مستمر مع الطاقة؛ 8 أوم مقننة

مجموعة مشغلات *Virtually Invisible*® 791 series II:

سماعتين "1" (25.4 ملم) مشكلتين على هيئة صف

مكبر صوت عالي الانحراف 7 بوصة (178 ملم)

مجموعة مشغلات *Virtually Invisible*® 591:

سماعتين 3/4 بوصة (19 ملم) مشكلتين على هيئة صف

مكبر صوت عالي الانحراف 5 بوصة (127 ملم)

أبعاد *Virtually Invisible*® 791 series II:

القطر: "8.4" (214 ملم)

العمق في السقف: "4.14" (105.2 ملم)

قطر الشبكة: "10" (254 ملم)

قطر ثقب السقف: "85/8" (219 ملم)

أبعاد *Virtually Invisible*® 591:

القطر: "6.5" (166 ملم)

العمق في السقف: "3.8" (96.7 ملم)

قطر الشبكة: "8.11" (206 ملم)

قطر ثقب السقف المطلوب: القطر "6.7" (170 ملم)

الوزن

791 series II Virtually Invisible: 0.33 رطل (2.18 كجم) لكل واحدة

591 Virtually Invisible: 3.19 رطل (1.45 كجم) لكل واحدة

استكشاف الأخطاء وإصلاحها

المشكلة	الحل
لا يصدر أي صوت من السماعات	<ul style="list-style-type: none"> تأكد من عدم فصل أسلاك السماعات من السماعات أو جهاز الاستقبال/مكبر الصوت. راجع إعدادات جهاز الاستقبال/مكبر الصوت. راجع دليل مالك جهاز الاستقبال/مكبر الصوت للحصول على تعليمات عن الإعدادات. إذا تم توصيل سماعات استريو أخرى بمجموعة ثانية من المخرجات الصوتية في جهاز الاستقبال/مكبر الصوت، اختر إعداد السماعة A أو B المناسب بحيث يطابق مخرجات A أو B الموصلة بسماعاتك.
يصدر صوت من سماعة واحدة فقط	<ul style="list-style-type: none"> قم بتوسيط التحكم في التوازن في جهاز الاستقبال/مكبر الصوت. تأكد من عدم تلامس الأسلاك من الأطراف الموجبة والسلبية في جهاز الاستقبال/مكبر الصوت. قم بفصل السلك الخارج من قناة جهاز الاستقبال/مكبر الصوت وإعادة توصيله بقناة مختلفة. تأكد من عدم تلامس الأسلاك من الأطراف الموجبة والسلبية في جهاز الاستقبال/مكبر الصوت حيثما يوصل سلك السماعة بالسماعة. قم بفصل سلك السماعة من السماعة وإعادة توصيله بسماعة أخرى. لا تحتاج سماعتك لصيانة إذا كانت هذه السماعة تعمل. ارجع إلى ورقة العناوين في العلبة الكرتونية. قم باستبدال وإعادة تركيب سلك السماعة إذا كانت خطوات حل المشاكل هذه لا تحل المشكلة.
صوت الباص/التريل ضعيف	<ul style="list-style-type: none"> اضبط إعداد التوازن النغمي في جهاز الاستقبال/مكبر الصوت. تأكد من عدم وجود فجوات بين إطار السماعة وسطح الحائط. قم بتبديل الأسلاك الموصلة بالأطراف الموجبة والسلبية في جهاز الاستقبال/مكبر الصوت. قم بفصل السلك الخارج من قناة جهاز الاستقبال/مكبر الصوت وإعادة توصيله بقناة مختلفة.
يصدر صوتًا ثابتًا/ضوضاء من السماعة	<ul style="list-style-type: none"> تأكد من أن الأسلاك في حالة جيدة وموصلة جيدًا بالسماعة وجهاز الاستقبال/مكبر الصوت ومن عدم وجود تلامس بين الأطراف. قم بتوصيل مصدر الموسيقى بجهاز الاستقبال/مكبر الصوت بشكل صحيح. انظر "يصدر صوت من سماعة واحدة فقط".

الملحقات

للبناء الناقص، استخدم طقم التركيب (Bose® rough-in).

يحتوي هذا الطقم على أجزاء لسماعتين وهو مصمم للتركيب بعد وضع العوارض في مكانها وقيل وضع لوح الحائط. وعند تركيبه بحجز الطقم مكانا لكل سماعة ويشير لمكان عمل ثقب السماعة في لوح الحائط.

لمزيد من المعلومات أو لطلب ملحقات، اتصل بخدمة عملاء Bose. ارجع إلى ورقة العناوين في العلبة الكرتونية.

خدمة العملاء

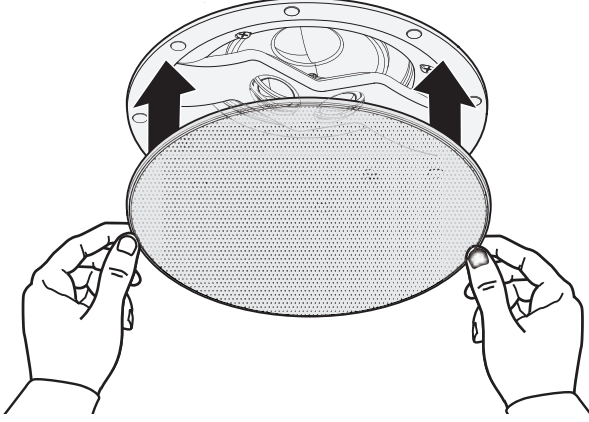
لمزيد من المساعدة عن استخدام النظام:

• قم بزيارة موقع owners.Bose.com

• اتصل بخدمة العملاء بشركة Bose. ارجع إلى ورقة العناوين في العلبة الكرتونية.

ربط الشبكة

يتم ربط الشبكة مغناطيسيًا بإطار السماعة.
ضع الشبكة على السماعة.



السماعة Virtually Invisible® 591

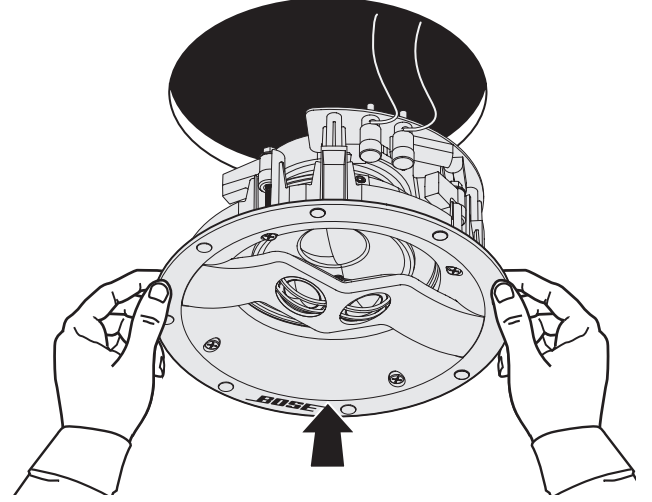
طلاء الشبكة

يمكنك طلاء شبكات السماعة قبل ربطها بالسماعة. شركة Bose® غير مسؤولة عن جودة اللصق أو تشطيب الدهانات من غير المصنع.

- يجب تخفيف طلاء اللاتكس أو الطلاء المعماري القائم على الزيت لاستخدامه بمسدس رش بتغذية سيفون. راجع دليل المالك المرفق مع مسدس الرش لمعرفة الإرشادات.
- كن حذرًا عند استخدام أداة حادة في ثقب الشبكة لإزالة أي عائق طلاء قد يتلف الشبكة.

1. أمسك الحواف الخارجية وأدخل السماعة في الثقب.

ملاحظة: تأكد من عدم الضغط على المشغلين الصغيرين الموجودين على وجه السماعة. فقد يتسبب ذلك في تلف السماعة.

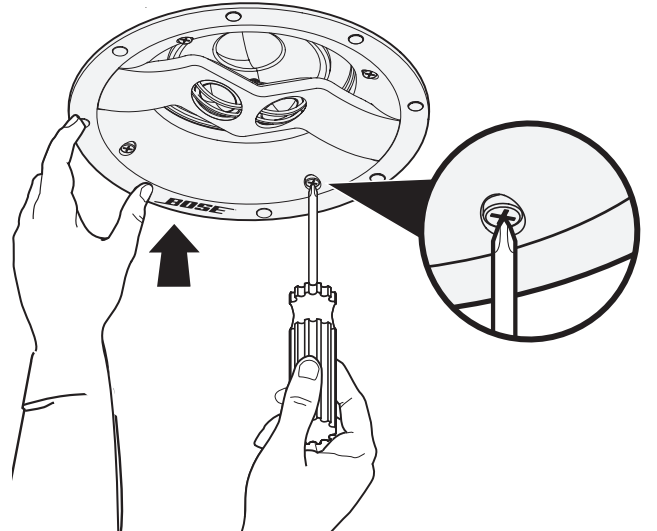


السماعة Virtually Invisible® 591

تنبيه: قد تشكل أشكال معينة من المواد العازلة (مثل لزقة شعر الحصان أو الصحف أو السيلولوز أو أي مواد منقوخة) خطر اشتعال. تأكد من إبعاد جميع المواد العازلة عن السماعات.

2. قم بربط جميع المسامير بمفك برأس فيليبس.

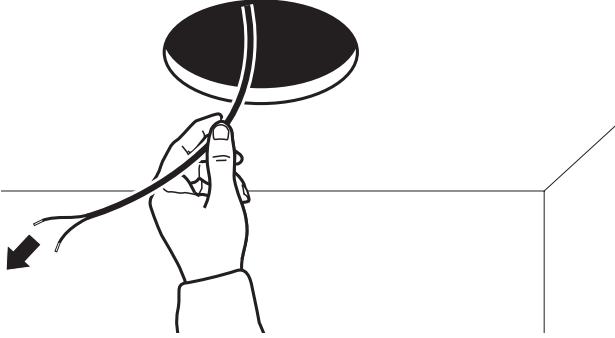
ملاحظة: إذا كنت تستخدم مثقابًا كهربائيًا، اختر أقل إعداد للعزم.



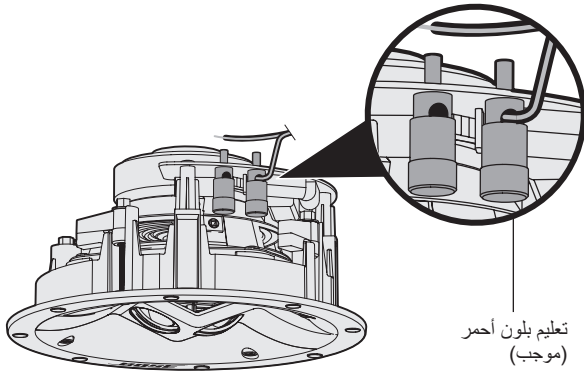
السماعة Virtually Invisible® 591

توصيل سلك السماعة

1. اسحب 14 بوصة (36 سم) على الأقل (36 سم) من سلك السماعة. استخدم سلك بطول يكفي لتوصيل السماعة من المكان الذي تقف فيه.



2. قم بتوصيل السلك الموجب بالطرف المعلم بلون أحمر في السماعة. ملاحظة: علامة الطرف موجودة فوق الطرف.

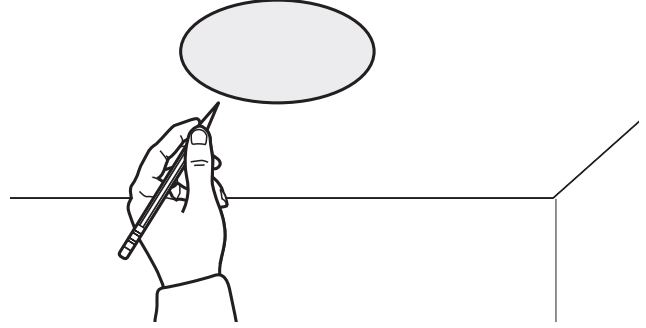


السماعة Virtually Invisible® 591

3. قم بتوصيل السلك السالب بالطرف المعلم بلون أسود في السماعة.

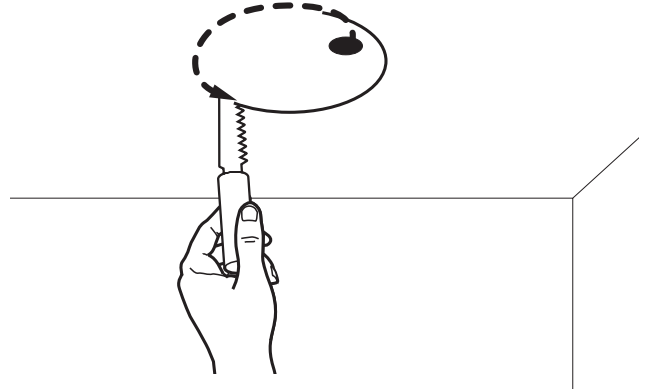
قطع ثقب السماعة

1. تتبع القالب في مكان السماعة.



تحذير: لا تقطع على الأسطح التي بها مخاطر مخفية خلفها مثل التوصيلات الكهربائية أو السباكة. وإذا كنت غير واثق من قدرتك على تركيب هذه السماعة بشكل آمن، اتصل بفني تركيب محترف للمساعدة.

2. احفر ثقبًا في منطقة القالب كبيرًا بما فيه الكفاية لأداة القطع.
3. اقطع على طول الخط الذي تتبعته.



4. قم بإزالة القسم المقطوع.
5. قم بإزالة أي مواد ممزقة أو خشنة حول الثقب.

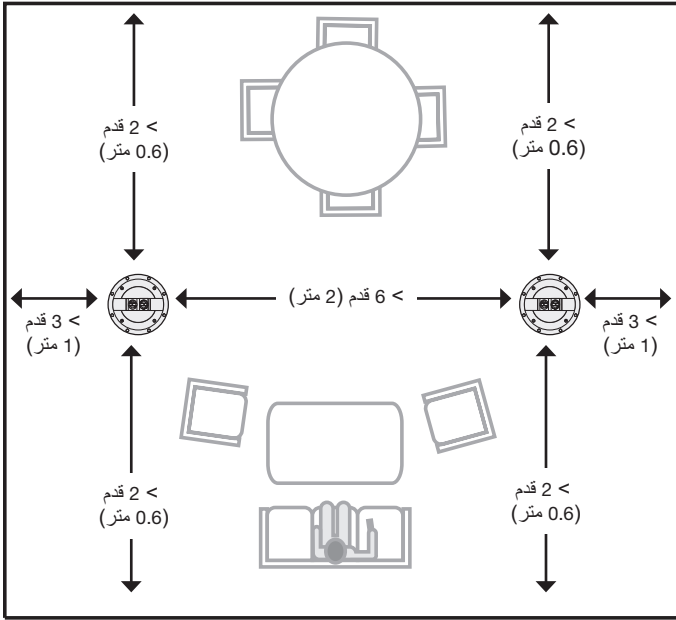
متطلبات أسلاك السماعات

القياس	أقصى طول
18 معيار السلك الأمريكي (0.82 ملم ²)	20 قدم (6 متر)
16 معيار السلك الأمريكي (1.3 ملم ²)	30 قدم (9 متر)
14 معيار السلك الأمريكي (2.1 ملم ²)	50 قدم (15 متر)
12 معيار السلك الأمريكي (3.3 ملم ²)	90 قدم (27 متر)

- استخدم سلك من السقف بطول يكفي لتوصيل السماعات قبل تركيبها.
- القطع ½ بوصة (13 ملم) من العزل في كلا طرفي السلكين.
- يرجى مراجعة قوانين البناء المحلية واستخدام نوع السلك الصحيح فقط المطلوب للتركيب في السقف.
- للحصول على معلومات عن تركيب سلك السماعة، استشر كهربائي محترف أو مركب أجهزة صوت.

إرشادات الوضع

لأفضل أداء، قم بتركيب السماعات الاستريو في مواضع مماثلة للشكل أدناه بالحد الأدنى للمسافات المقترحة:



ملاحظات:

- استخدم مكتشف مسامير لضمان أن يكون ثقب السماعة ¼ بوصة على الأقل (12 سم) بعيدًا عن العارضة.
- قم بتركيب هذه السماعات في هيكل خشبي أو ما شابه ذلك فقط وتوصي شركة Bose بتركيب هذه السماعات في هيكل خشبي أو إنشاء مشابه فقط باستخدام مسامير متباعدة بشكل كاف كما هو موجود في الشكل الهندسي 2 × 6.

الوضع في بناء غير مكتمل

إذا كنت تخطط للتركيب في بناء غير مكتمل، قم بشراء طقم التركيب (Bose rough in). انظر "الملحقات" صفحة 7.

حول السماعات السقفية 791 Virtually Invisible® series II أو 591

توفر السماعات السقفية 791 Virtually Invisible® series II أو 591 أداءً رائعًا للاستماع لموسيقى الاستريو المدمجة وترفيهاً منزليًا ممتعًا.

تفريغ المحتويات

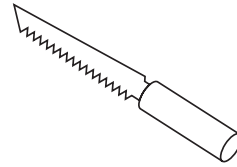
قم بتفريغ العلبة الكرتونية بعناية وتأكد من وجود الأجزاء التالية:

السماعات Virtually Invisible® 591	سماعات Virtually Invisible® 791 series II
سماعتين	سماعتين
شبابك السماعتين	شبابك السماعتين
قالب	قالب

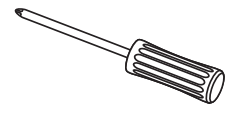
ملاحظة: في حالة تلف جزء من النظام، لا تستخدمه. اتصل على الفور بموزع Bose® المعتمد أو اتصل بخدمة عملاء Bose. ارجع إلى ورقة العناوين في العلبة الكرتونية.

الأدوات الموصى بها

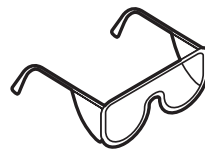
قد تحتاج للأدوات التالية لإكمال التركيب:



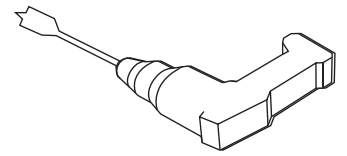
أداة القطع



مفك فيليبس



نظارات السلامة



مققاب كهربائي

المقدمة

4	حول السماعات السقفية II 791 series Virtually Invisible® أو 591
4	تفريغ المحتويات
4	الأدوات الموصى بها
4	متطلبات أسلاك السماعات
4	إرشادات الوضع
4	الوضع في بناء غير مكتمل

تركيب السماعات

5	قطع ثقب السماعة
5	توصيل سلك السماعة
6	تركيب السماعة
6	ربط الشبكة

العناية والصيانة

7	استكشاف الأخطاء وإصلاحها
7	الملحقات
7	خدمة العملاء
7	الضمان المحدود
7	المعلومات الفنية

تعليمات السلامة الهامة

يرجى قراءة دليل المالك هذا بعناية والاحتفاظ به للرجوع إليه في المستقبل.

أسماء ومحتويات المواد أو العناصر السامة أو الخطرة						
المواد أو العناصر السامة أو الخطرة						
اسم الجزء	الرصاص (Pb)	الزئبق (Hg)	الكاديوم (Cd)	سداسي التكافؤ (CR(VI))	ثنائي الفينيل المعالج بالبروم (PBB)	ثنائي الفينيل المعالج بالبروم (PBDE)
لوحات الدوائر المطبوعة (PCBs)	X	0	0	0	0	0
الأجزاء المعدنية	X	0	0	0	0	0
الأجزاء البلاستيكية	0	0	0	0	0	0
السماعات	X	0	0	0	0	0
الكبلات	X	0	0	0	0	0

يتم إعداد هذا الجدول وفقاً لأحكام معيار SJ/T 11364.
 O: تشير إلى أن هذه المادة السامة أو الخطرة الموجودة في كل المواد المتجانسة لهذا الجزء أقل من متطلبات تقييد معيار GB/T 26572.
 X: تشير إلى أن هذه المادة السامة أو الخطرة الموجودة على الأقل في أحد المواد المتجانسة لهذا الجزء أعلى من متطلبات تقييد معيار GB/T 26572.

هذا الرمز يعني أنه يجب عدم تجاهل المنتج ككفايات المنزلية ويجب تسليمه إلى مرفق جمع مناسب لإعادة تدويره. ويساعد التخلص السليم وإعادة التدوير على حماية الموارد الطبيعية وصحة الإنسان والبيئة. لمزيد من المعلومات حول التخلص من هذا المنتج وإعادة تدويره، اتصل بالبلدية المحلية أو خدمة التخلص أو المتجر الذي اشتريته منه هذا المنتج.



تعان شركة Bose بموجب هذا المنتج يخضع للمتطلبات الأساسية لتوجيه 1999/5/EC والشروط الأخرى ذات الصلة وجميع توجيهات EU المعمول بها. ويمكن العثور على البيان الكامل للتطبيق في موقع: www.Bose.com/compliance



المستورد في الصين:

Bose Electronics (Shanghai) Company Limited, Part C, Plan 9, No. 353 North Riyang Road, China (Shanghai) Pilot Free Trade Zone

المستورد في الاتحاد الأوروبي:

Bose Products B.V., Gorslaan 60, 1441 RG Purmerend, The Netherlands

المستورد في تايوان:

Bose Taiwan Branch, Room 905, 9F, Worldwide House, 131 Min Sheng East Rd, Section 3, Taipei, Taiwan, 105.

يرجى استكمال سجلاتك والاحتفاظ بها:

يمكن العثور على الأرقام المسلسلة على لوحة موصلات الوحدة Acoustimass®

وعلى عبوة جهاز الريموت كنترول.

رقم الموديل: _____

الرقم المسلسل: _____

تاريخ الشراء: _____

نحن نقترح عليك الاحتفاظ بإيصال المبيعات مع دليل المالك هذا.

تاريخ الصنع:

يشير العدد الأول المكتوب بالخط الأسود العريض في الرقم المسلسل إلى سنة الصنع؛ "5" هي سنة 2005 أو 2015.

تحذيرات:

- يجب عدم وضع أية مصادر للهب المكشوف، مثل الشموع المشتعلة، فوق الجهاز أو بالقرب منه.
- يجب استخدام جميع منتجات Bose® وفقاً للوائح المحلية والحكومية والفيديالية ولوائح الصناعة. مسؤولية القائم بالتركيب أن يتأكد من تركيب مكبرات الصوت وتنفيذ نظام التركيب وفقاً لقوانين البناء المعمول بها بما في ذلك قوانين ولوائح البناء المحلية.
- يمكن أن يؤدي التركيب أو التعليق في السقف غير الآمن لأي حمل ثقيل إلى إصابات خطيرة وتلف في الممتلكات. ومسؤولية القائم بالتركيب تقييم موثوقية أي طريقة مستخدمة في التركيب.



تنبيهات:

- هذه السماعات غير مصممة للتركيب في الحوائط أو في أسقف المباني أو في الأسقف المنخفضة أو يوصى بها لذلك.
- هذا المنتج غير مخصص للاستخدام في الفراغات المليئة بمعالجة للهواء.
- انظر عبوات المنتج للاطلاع على علامات السلامة ذات الصلة.
- لا تقم بإجراء أي تعديلات على السماعات أو الملحقات. حيث أن التعديلات غير المصرح بها قد تخلق بالسلامة والالتزام بالقواعد التنظيمية وبأداء النظام.
- تأكد من إبعاد جميع المواد العازلة عن السماعات وفقاً لتعليمات التركيب الموجودة في هذا الدليل.



تحذير: يحتوي على أجزاء صغيرة قد تتسبب في الاختناق. غير مناسب للأطفال الأقل من 3 سنوات.



تحذير: يحتوي هذا المنتج على مادة مغناطيسية. يرجى الاتصال بطبيبك إذا كان لديك أي أسئلة حول ما إذا كان هذا قد يؤثر على تشغيل جهازك الطبي القابل للزرع.



ملاحظة: يجب استخدام هذا المنتج في الأماكن المغلقة فقط. حيث أنه لم يُصمم أو يختبر للاستخدام في الأماكن المفتوحة أو في السيارات الترفيهية أو القوارب.

تعليمات السلامة الهامة

1. اقرأ هذه التعليمات.
2. احتفظ بهذه التعليمات.
3. انتبه إلى جميع التحذيرات.
4. اتبع جميع التعليمات.
5. لا تستخدم هذا الجهاز بالقرب من الماء.
6. قم بالتركيب حسب تعليمات جهة الصنع.
7. لا تقم بتركيب المنتج بالقرب من أي مصدر للحرارة مثل شبكات التدفئة أو ممرات الحرارة أو المواقد أو أي جهاز آخر (بما في ذلك مكبرات الصوت) ينتج عنه حرارة.
8. لا تستخدم سوى الملحقات/المرفقات التي تحددها جهة الصنع.

VIRTUALLY INVISIBLE هي علامة تجارية مسجلة لشركة Bose Corporation في الولايات المتحدة ودول أخرى.

© Bose Corporation 2017. لا يجوز استنساخ أي جزء من هذا الدليل أو تعديله أو توزيعه أو استخدامه على نحو مخالف بدون إذن كتابي مسبق.



750575-0010

BOSE[®]
Better sound through research[®]

©2017 Bose Corporation, The Mountain,
Framingham, MA 01701-9168 USA
AM750575 Rev. 02