

Description

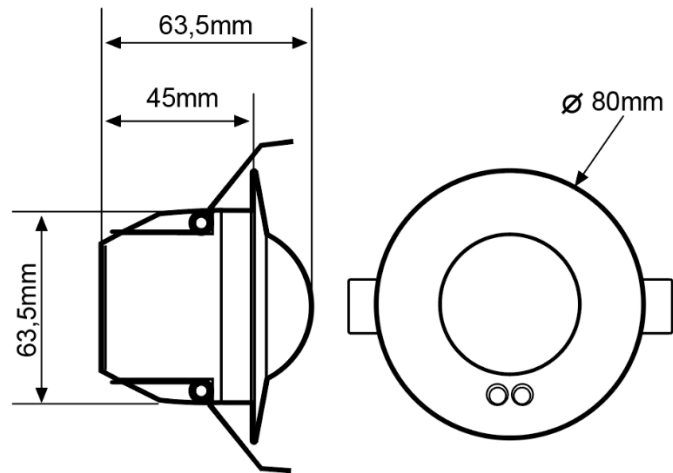
- Wireless Motion Detectors, with Infrared detection technology, for recessed mounting in a false ceiling, powered by battery or 230V, depending on model.
- It has a highly sensitive PIR sensor, which, together with the lens design, allows detecting the slightest movement within its coverage area.
- It incorporates a luminosity sensor, which allows its functionality to be limited to daylight.
- It has a second potentiometer that allows adjusting the delay time from the last detection.
- Perfect solution for conventional Bus installations, where it is not possible extending the wiring.
- Communication with the Bus must be done using a KNX / KNX-RF S-Mode Media Coupler: CO K5X 002.
- It includes a series of parameters and functionalities that must be parameterized through the ETS:
 - Adjustment of delay time and luminosity by potentiometer or ETS.
 - Sending telegram after detection and at the end of the delay time.
 - Motion Monitoring Function.
 - Twilight Switch Function.
 - Temperature Sensor Function.
 - Brightness Sensor Function.
 - Constant Light Control Function (only DM K5X 230).



Technical Specifications

Power supply	DM K5X 001: 1 x Battery LS14250 3,6V DM K5X 230: 230V~ 50/60Hz
Battery lifetime (DM K5X 001)	> 10 years
Consumption (DM K5X 230)	29mA
Medio KNX	KNX RF 1.R
Radio-frequency	868,3MHz
Transmission power	< 10dB
Range	Open field: <100m Indoor: ~30m
Detection angle	360°
Detection coverage	Ø7m at 2,5m high
Time delay	Potentiometer: 10sec ~ 10min ETS: 1sec ~ 65535sec
Luminosity	Potentiometer: 4Lux ~ 1000Lux ETS: 5Lux ~ 500Lux
Programming	ETS5
Commissioning	System Mode
Working Temperature	-5°C ~ +45°C
Protection degree	IP20, EN60529
Dimensions	80 x 63,5mm

Dimensions



Coverage

