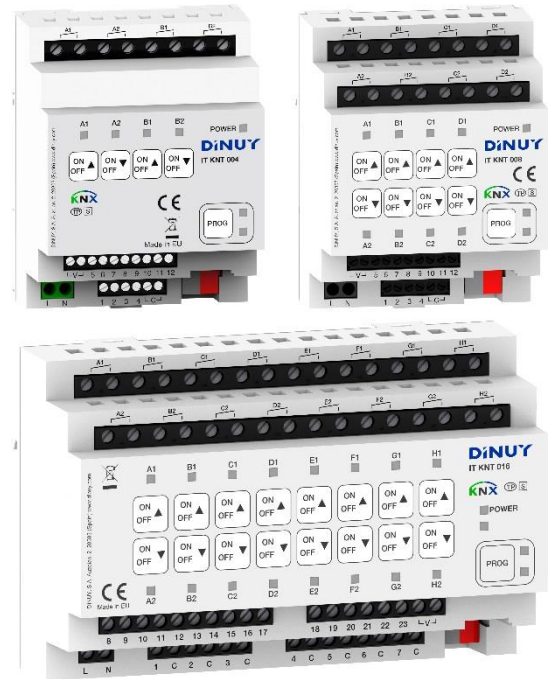


IT KNT 004 / IT KNT 008 / IT KNT 016

4-/8-/16-channel KNX Multifunctional Actuators with 12 / 23 Binary/Analog Inputs

Description

- KNX Multifunction Actuators that can work as:
 - IT KNT 004: 4-channel Switching Actuator or 2-channel Blinds/Shutters Actuators.
 - IT KNT 008: 8-channel Switching Actuator or 4-channel Blinds/Shutters Actuators.
 - IT KNT 016: 16-channel Switching Actuator or 8-channel Blinds/Shutters Actuators.
- High load capacity, with 16A built-in relays, as well as a zero-crossing-point control, which allows switching very high loads, even capacitive type.
- Incorporate 12 / 12 / 23 Inputs:
 - IT KNT 004: 8-Binary Inputs + 4-Binary/Analog Inputs
 - IT KNT 008: 8-Binary Inputs + 4-Binary/Analog Inputs
 - IT KNT 016: 16-Binary Inputs + 7-Binary/Analog Inputs
- These inputs can be independently parameterized through the ETS Software:
 - Binary Input: allows the connection of a conventional voltage-free binary sensor or switch.
 - Analog Input: allows the connection of a DINUY temperature probe (ST KNT 001 or ST KNT 002).
- Incorporates a front keypad for independent manual control of each output, as well as status indicator LEDs.
- Allows to enable and configure up to 4 / 4 / 7 independent Heating and or Cooling Thermostats.
- It incorporates 8 / 8 / 16 Logic Functions, Centralized Control, Scenes, Time Function, etc.
- Possibility of connecting different phases in each output channel.
- Integrated Bus Coupling Unit (BCU).
- DIN-rail mounting, 4 / 4 / 8 modules wide.
- Programming and commissioning via ETS5 or later versions.

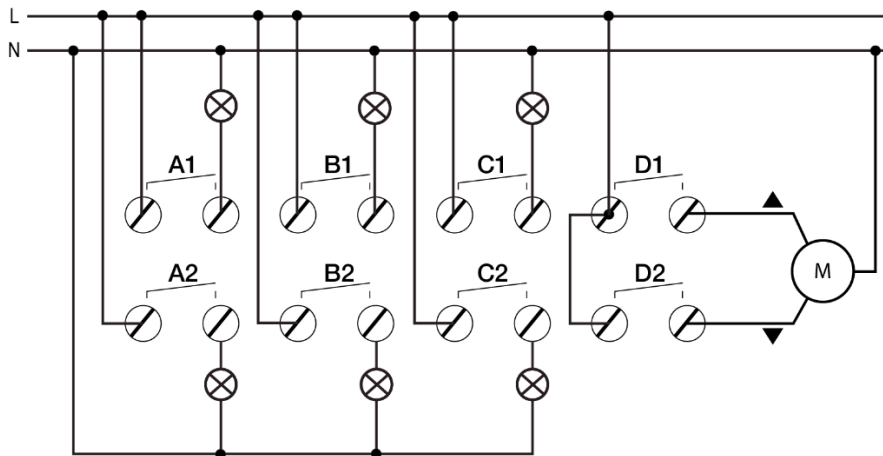


Technical Data

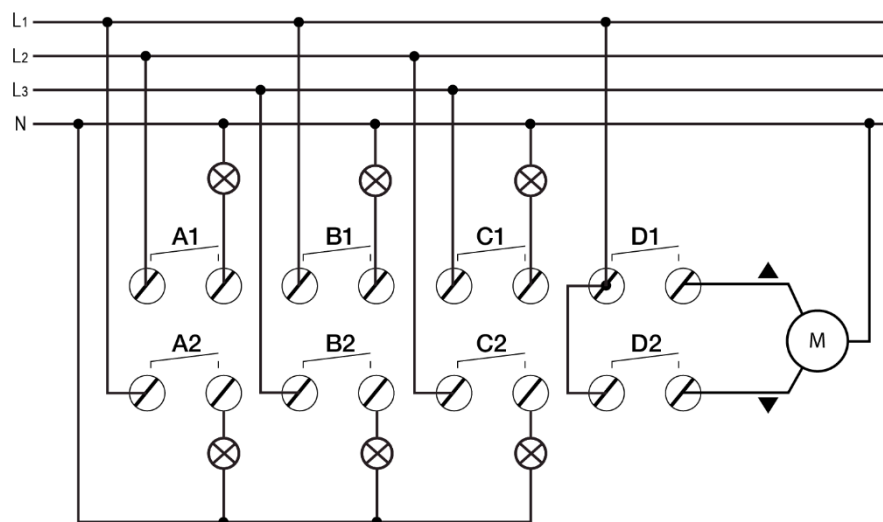
Nominal Voltage		230V~ 50Hz
KNX	Voltage range	21 ~ 32V _{DC}
	Consumption	IT KNT 004: < 7mA IT KNT 008: < 7mA IT KNT 016: <9mA
	Connection type	KNX Bus connector
	Commissioning	ETS5 or later
	KNX Media	TPI
	Configuration Mode	System Mode
Inputs	Number of Inputs	IT KNT 004: 4 Binaries + 8 Binaries/Analog IT KNT 008: 4 Binaries + 8 Binaries/Analog IT KNT 016: 7 Binaries + 16 Binaries/Analog
	Type	Binaries or Analog
	Cable maximum length	Binary Inputs: <200m Binary/Analog Inputs: <10m
	Scanning voltage	20V _{DC}
	Input current	0,5mA
Outputs	Channels	IT KNT 004: 4 Switching or 2 Blinds IT KNT 008: 8 Switching or 4 Blinds IT KNT 016: 16 Switching or 8 Blinds
	Load LED Lamps Incandescence Motors	16A / 250V~ per channel 400W 3000W 700VA
	Isolating Voltage	4KV _{AC} (supply/bus voltage)
	Cable section	≤ 2,5mm ²
Dimensions	IT KNT 004: 4 DIN units (70mm) IT KNT 008: 4 DIN units (70mm) IT KNT 016: 8 DIN units (140mm)	
Working temperature	-5°C ~ +45°C	
Storage temperature	-30°C ~ +70°C	
Protection degree	IP20 (EN60529)	
Directives	Low-voltage 73/23/EEC EMC 204/108/EC	
According to the Standards	KNX Standard 2.0 EN60669-1, 2-1 y 2-3	
Marking	EIB/KNX	

Wiring Diagrams

· Single-phase installation:



· 3-phase installation:



· Input connection:

