

General Description

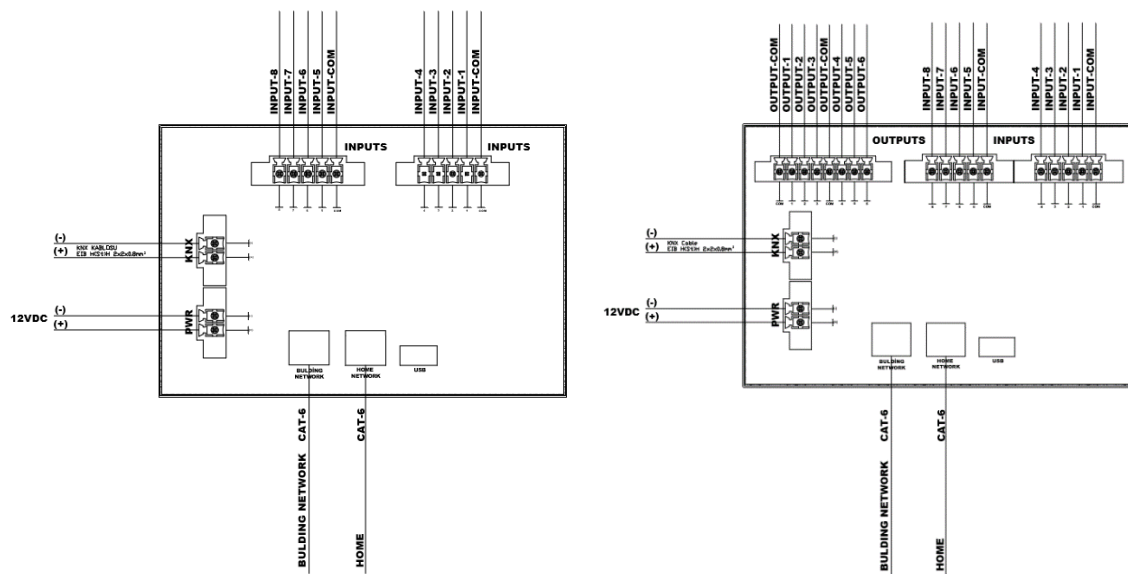


- 11.6" capacitive touch panel
- 8 dry contact inputs, 6 outputs (optional)
- Dual ethernet connection for home and building networks
- Complete data saving in case of power failure
- Customized device orientation (vertical or horizontal)
- Linux operating system
- Flicker free screen
- Unlimited location creation
- Conformity with the CE directives
- Controllable elements: Illumination, heating/cooling, air conditioning, curtain and blinds, valves, security sensors, burglar alarm, concierge services, building management services, IP cameras (H.264 RTSP), SIP video door phone
- Built in microphone and speakers

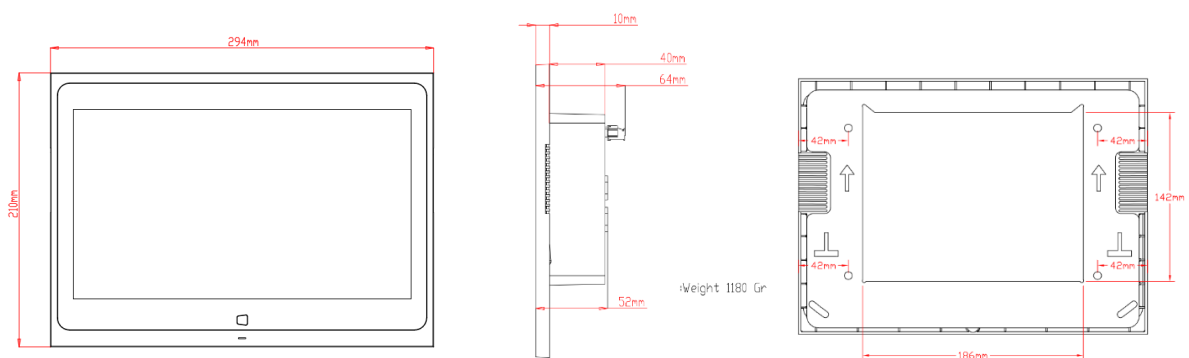
Technical Data

Type of protection	IP 20	EN 60529
Processor	ARM 64-bit Quad-Core CPU	
Memory	1 GB DDR3L	
Audio	2x3W speaker Noise cancelling microphone	
OS	Application-oriented customized Linux 4.9.30	
Power supply	Voltage Current consumption	11 - 30V DC, SELV < 1 A @12V Max 9 watt 30 V - 300 mA
Connections	Screw terminals Max tightening torque KNX	0,129 – 1,31 mm ² solid wire and stranded wire, 16 to 26 AWG 0,2 Nm Screw terminal
Inputs	KNX 2 x 100Mbit (Cat5e) Ethernet 8 x dry contact input - Scanning voltage - Current - Cable length	5 V 1 mA < 300 m
Outputs	5 x 5A / 250VAC relay (Optional) 1 x 7A / 250VAC relay (Optional)	
Installation	Flush mount	
Temperature range	Ambient Storage	-5°C +35°C -25°C +45°C
Humidity	Max. air humidity	85% no moisture condensation
Dimensions	293 x 209 x 78mm	
Weight	1250 g	
Box	CRS steel sheet frame, ABS back box	
CE	In accordance with the EMC, RoHS and low voltage directive	

Connection Diagram

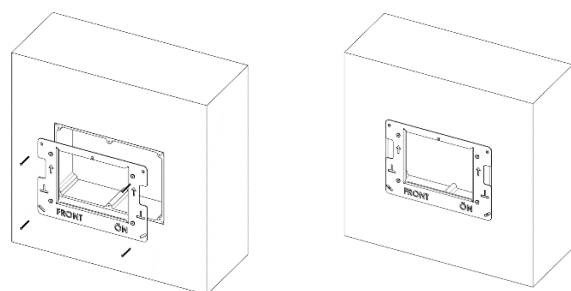


Scale Drawings



Installation

Step1 : Place the mounting box into a squared area on the wall with screws.



Step 2: Connect the KNX bus at the KNX terminals of Valesa, as well as the external power supply, input terminals and the Ethernet connector. Fit Valesa in the mounting box.

