

General Features

EAE KNX Universal Dimmer Actuator has 5 independent outputs. Dimming functions can be used by phase dimming only. The device can be operated manually via push button on it. Each channel can be programmed via ETS4 or above.



Channel features of dimming actuator;

- Staircase lighting
- Forced Operation
- Channel Grouping (merging outputs for high power lamps)
- Scene Function
- Electrical Measurements (Current, Voltage, Power, Power Factor)
- Error Detection (Short-Circuit, Over-current, Over-voltage, Over-heating)

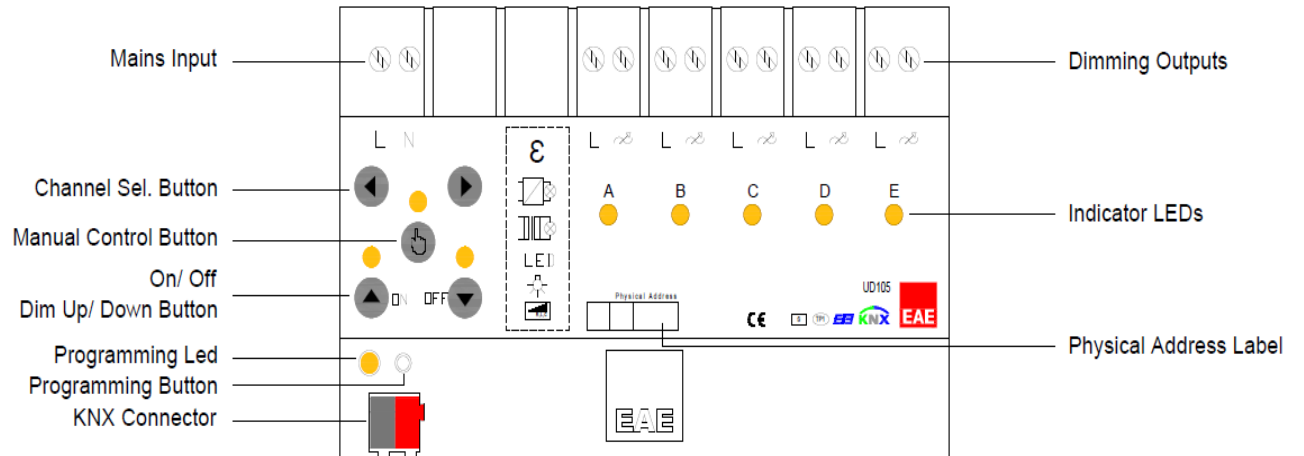
All features can be used separately or together. Please consider that those features will be processed depending on priority. Bus voltage fails and returns behavior can be set via ETS configuration.

Technical Data

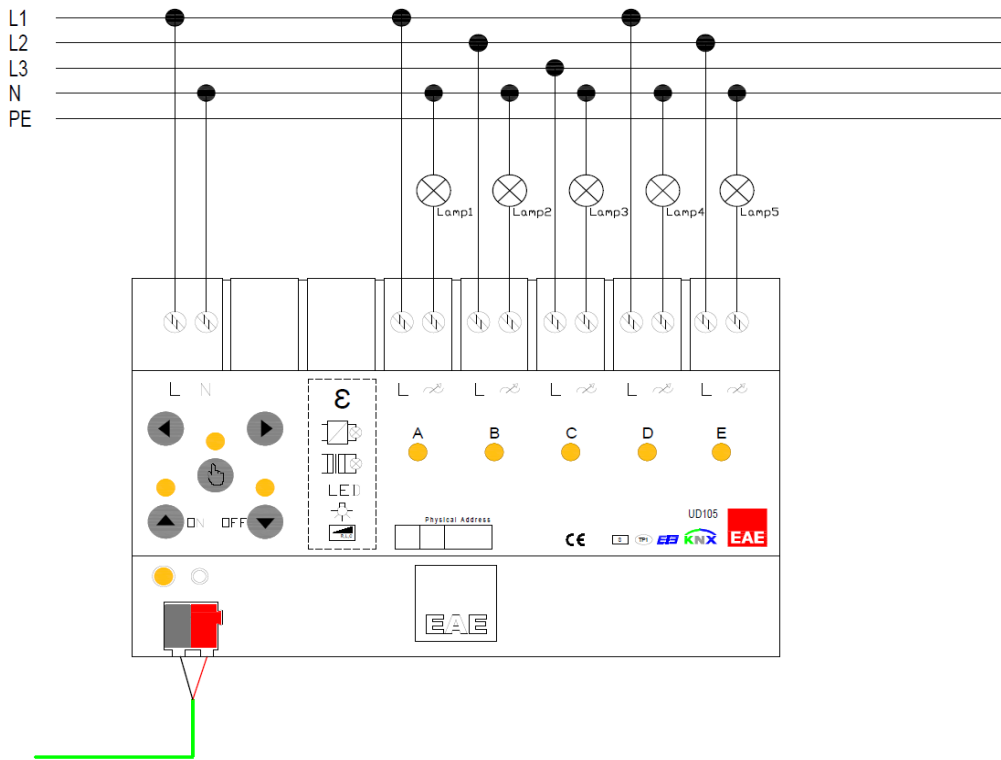
Protection Type	IP 20	EN 60 529	
Safety Class	II	EN 61 140	
Power Supply	Voltage	21V... 30V DC, SELV	
	Current consumption	< 10 mA	
Mains Supply	Min...Max	185... 300V AC	
Connections	Screw terminals	0,5...4 mm ² solid and stranded wire 0,5...3,31 mm ² stranded wire with ferrule	
	Max. tightening torque	0.5 Nm	
	KNX	Bus connection terminal	
	Switching & Dimming	5 outputs, Trailing and Leading-Edge Dimming	
	Cable length	Max. 200 meters	
Output		300 VA per channel 300 W halogen, incandescent lamps per channel 300 W Inductive transformers per channel	
	Max. switching power	250 W Phase-cut dimmable LED lamps per channel Multiplying the output power by parallel connection of channels.	
	Mechanical life	Lifetime	
Type of contact	Electronically controlled		
Installation	35mm mounting rail	EN 60 715	
Operating elements	LED (red) and button	For physical address programming	
Temperature range	Operating	-10° C + 50° C	
	Storage	-25° C + 55° C	
	Transport	-25° C + 70° C	
Humidity	Max. air humidity	85 % no moisture condensation	
Dimensions	L x W x H	90 x 144 x 66 mm	
	Width in units (18 mm modules)	8 modules	
Weight	0.24 kg		
Box	Plastic, polycarbonate, color grey		
CE	In accordance with the EMC and LV directives.		
Application program	Communication objects	Number of addresses(max)	Number of assignments(max)
	102	255	255

NOTE: Device default physical address is 15.15.255. In order to configure switch actuator, ETS application file “.knxprod” is needed. It’s possible to download the file on EAE website. ETS is required for programming the device. Parameter settings and related group addresses can be changed by ETS. Learn more by reading ETS help file.

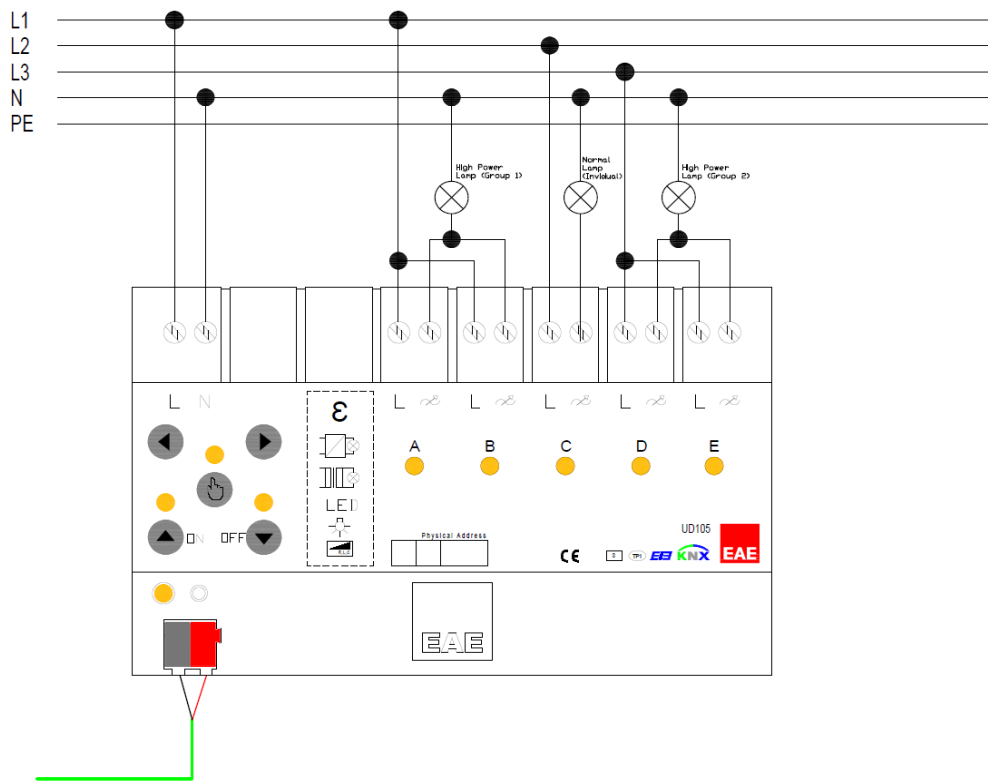
Functional Elements and Connections



Connection Diagram



Single Channel Control



Grouped Channel Control

Technical Drawings

