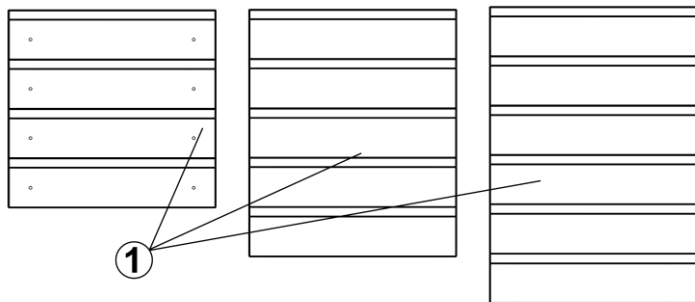
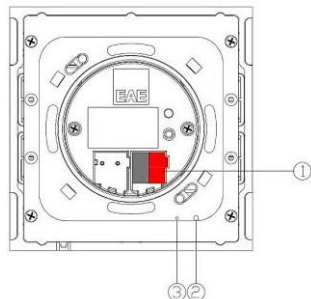


## Operation and Display



1. Button groups (1 - 6 fold)



1. KNX Port Terminal
2. Programming Button
3. Programming LED

## Description of the Device

- Serial switches with plastic push-button
- Can be configured with ETS5 or higher
- Independent button configuration for each fold
- Integrated Temperature Sensor (°C/°F) (Optional)
- Integrated Humidity Sensor (Optional)
- Different color options
- Cleaning mode function
- Logical function
- Dependent or independent programmable buttons
- 60x60 mm easy mounting to standard junction boxes
- 6 rockers can be programmed to perform different functions

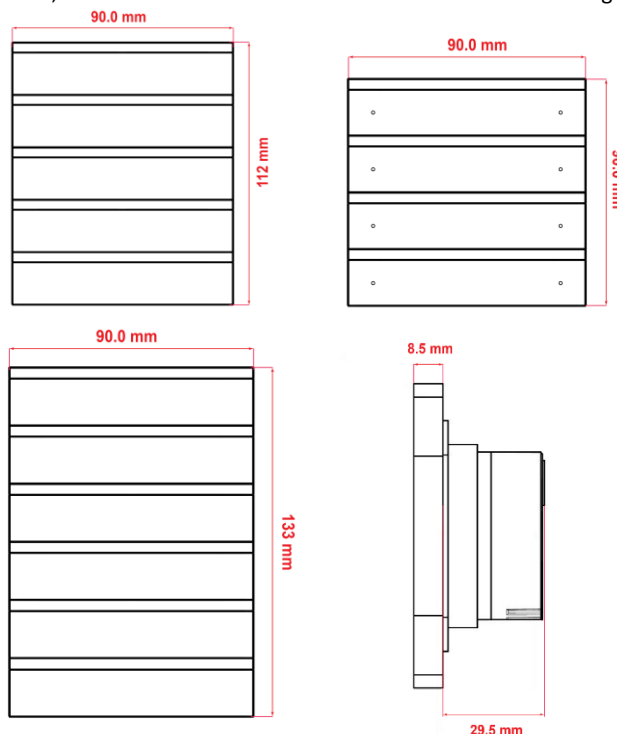
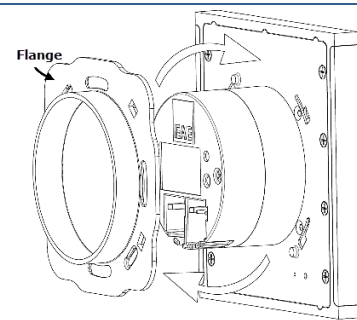
- Switching
- Dimming
- Shutter/Blind
- Value
- Scene control
- Status

## Technical Data

<b>Type of protection</b>	IP 20	EN 60 529
<b>Safety class</b>	II	EN 61 140
<b>KNX Supply <sup>(1)</sup></b>	Voltage	21 V... 30 V DC SELV
	Current Consumption	≤ 10 mA
<b>Connections</b>	KNX	Bus connection terminal
<b>Installation</b>	60x60 mm standard box	
<b>Temperature range</b>	Ambient	-5° C + 45° C
	Storage	-25° C + 55° C
<b>Humidity</b>	Max. air humidity condensation	95 % no moisture
<b>Dimensions</b>	Front face (1-4 fold)	90x90 mm
	Front face (5 fold)	90x112 mm
	Front face (6 fold)	90x133 mm
	Side- Surface of plaster	8,5 mm
	Side- Under plaster	29,5 mm
<b>Box</b>	Plastic, polycarbonate	
<b>CE</b>	In accordance with the EMC guideline and low voltage	
<b>Application Program</b>	Communication Object	50
	Number of Addresses(max)	254
	Number of assignments(max)	255

## Installation

Installation of the product is done with the help of the flange which is inside the box. The flange is fixed to the junction box by using screws while the arrows on flange are headed to up. The switch is placed into the junction box by positioning the EAE logo upwards and then reclining it to the flange. The switch is slowly turned clockwise to give the right position to it on the flange. After the clicks are on the right position, switch is turned counter-clockwise to lock it on the flange.



## Commissioning

Device default physical address is 15.15.255. Determination of the physical address and setting of parameters are actualized with Engineering Tool Software (ETS5 or higher). “.knxprod” file must be imported to the ETS. (<http://www.eaetechnology.com/>)

**i** A detailed information about parameter configuration can be found in Product Manual of device.

**!** Installation and commissioning of device may only be implemented by trained electricians. The relevant standards, directives, regulations and instructions must be observed when planning and implementing the electrical installation.

-Protect the device against moisture, dirt and damage during transport, storage and operation!

-Do not operate the device out of the specified technical data which is stated.

-The device may only be operated in closed enclosures (Distribution boards)

## Cleaning

If device becomes dirty, only a dry cloth can be used for cleaning. It is not suitable to use wet cloths, caustics and solvents.