

General Features



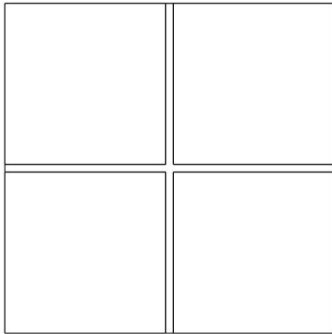
Touch switches with metal or glass materials
Can be configured with ETS3 / ETS4 / ETS5.
Independent button configuration for each fold
Different color options
Easy mount into 60x60 mm standard switch junction boxes
Dependent or independent programmable buttons

Switching
Dimming
Blind Control
Value transfer
Scene Control

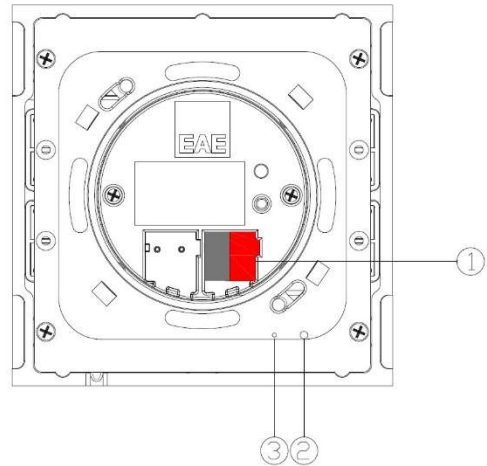
Technical Data

Operating Voltage	- Voltage	21V...30V DC, via the KNX bus
	- Current drawn from bus	<10mA
Safety Rating Class		IP 20, DIN EN 60529
		II EN 61140
Connections	- KNX	Bus Connection
Operating Temperature	- Ambient	-5° C +45° C
	- Storage	-25° C +55° C
	- Measurement Accuracy	±0,3 °C
Humidity	- Max. Air humidity	95% no moisture
	condensation	
Dimensions	Front Side	85 x 85 mm
	Side- Surface mounted part	11 mm
	Side- Flush mounted part	19.4 mm
Weight		73 g
Box Material		Metal or Glass, polycarbonate
CE		In accordance with the EMC guideline and low voltage

Functional Elements and Connections



1. Button groups



1. KNX Port Terminal
2. Programming Button
3. Programming LED

Technical Drawings

