

Power Supply 320 mA

Order no.: 1086 00

Power Supply 640 mA

Order no.: 1087 00

General system information

This device is a product of the Instabus-EIB system and complies with the EIBA Guidelines. Detailed technical knowledge acquired in Instabus training courses is a prerequisite to proper understanding.

Function

The 320 mA and 640 mA power supplies generate and monitor the Instabus EIB system voltage of 30V DC (SELV).

320 mA power supply:

Supply of a bus line with max. 32 instabus users via the BUS output without additional instabus EIB choke.

640 mA power supply:

Supply of max. 64 Instabus users arbitrarily distributed over 2 bus lines via the outputs BUS 1 and BUS 2 without additional instabus EIB choke.

The 30V DC output in both devices is not equipped with a choke and permits supplying another line (e.g. main line) via a separately installed Instabus EIB choke.

This output can alternatively be used for the supply of further functional devices (e.g. auxiliary voltage for binary inputs).

Important:

The distribution of loads over the outputs is optional, provided that the total rated current is not exceeded.



Safety warnings

Attention: Electrical equipment must be installed and fitted only by qualified electricians and in observance of the applicable accident prevention regulations.

To prevent electric shocks, disconnect the power supply before working on the device (by cutting out the circuit breaker).

Any non-observance of the fitting instructions may cause fire or other hazards.

Installation

The Instabus EIB power supply unit must be installed exclusively on a 35 mm DIN rail in distribution boxes or in switch cabinets.

Ensure sufficient ventilation to prevent the admissible temperature range of the device from being exceeded.

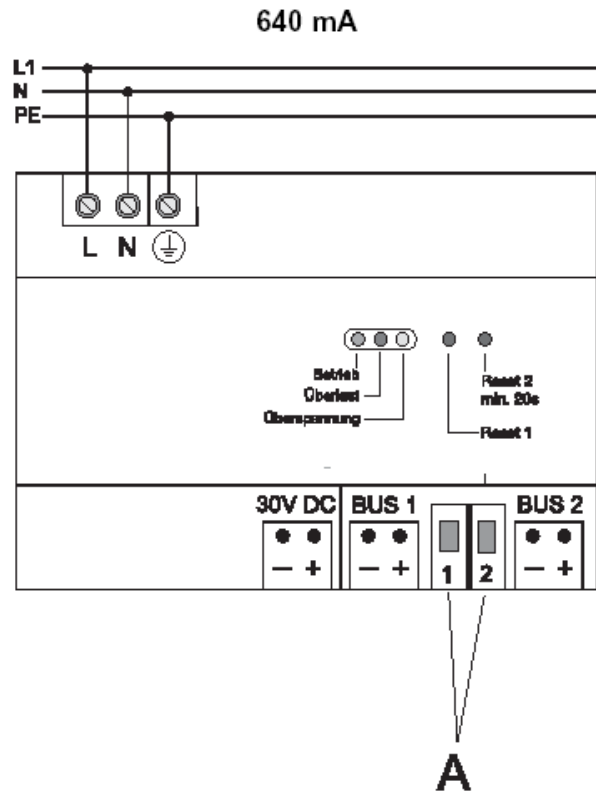
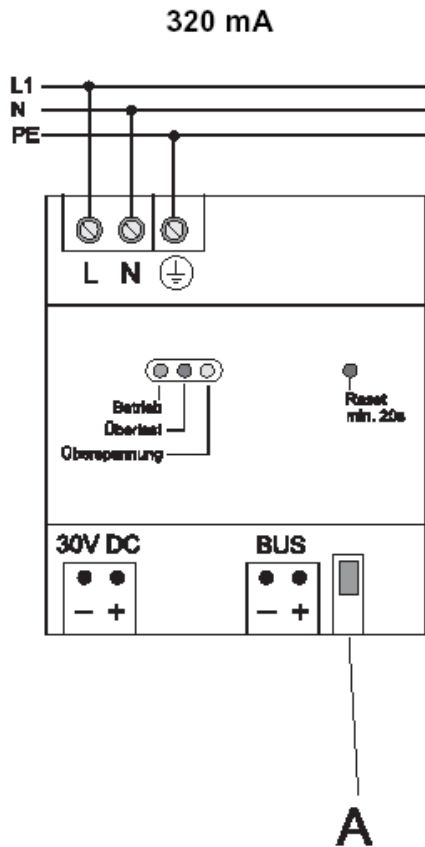
Connection

The supply mains is connected to terminals L, N and \perp in accordance with the schematic.

The choke-equipped instabus output lines are connected to the terminals marked 'BUS' by means of an instabus connector.

Connection to the voltage output without choke is made by means of an Instabus connector to the terminal marked '30V DC'.

The power supplies can be connected in parallel in accordance with the EIB guideline, if the line length between two power supplies is at least 200 m on the bus side.



Controls and indicators

The 320 mA power supply has one reset switch, whereas the 640 mA versions has two (marked A in the schematic), which - when operated - short the respective bus line and cause a reset. The time of operation for a correct reset is at least 20 seconds.

Important:

The reset switches can only be operated with a suitable screwdriver.

The operating status is indicated by LEDs of different colours.

LED	Colour	Description
„Operation“	green	normal operation, bus voltage 28V DC to 31V DC
„Overload“	red	overload, short-circuit or excessive number of users or output 30V DC overloaded ➔ reduce loading.
„Overvoltage“	yellow	bus voltage too high (>32V DC) ➔ switch off device, locate cause and rectify
„Reset 1“	red	reset switch (1) operated, output BUS (1) is short-circuited
640 mA power supply only:		
„Reset 2“	red	reset switch 2 operated, output BUS 2 is short-circuited

Technical characteristics

Mains voltage AC: 161 to 264 V AC, 50/60 Hz

Operating voltage DC: 176 V DC to 270 V DC

Power dissipation: typically < 5 W at rated load

Mains supply connection: screw terminals
0.2 – 4 mm² single wire or
2 x 0.2 – 2.5 mm² single wire
0.75 – 4 mm² stranded wire
without wire end ferrule or
0.5 – 2.5 mm² stranded wire
with wire end ferrule

Output BUS (choke-equipped)
voltage: 28 to 31V DC
connection: Instabus connector
max. bus line length: 350 m per choked output

Output 30 V DC (without choke)
voltage: 30 V DC
connection: Instabus connector

Rated current

640 mA version: max. 640 mA for all outputs (I1 + I2 + I3), optional distribution, permanently short-circuit-proof

320 mA version: max. 320 mA for both outputs (I1 + I2), optional distribution permanently short-circuit-proof

Ambient temperature: -5 °C ... +45 °C

Storage temperature: -25 °C ... +70 °C

Type of protection: IP 20

Safety class: I

Fitting width

320 mA version: 72 mm (4 pitch)
640 mA version: 126 mm (7 pitch)

Acceptance of guarantee

We accept the guarantee in accordance with the corresponding legal provisions.

Please return the unit postage paid to our central service department giving a brief description of the fault:

Gira
Giersiepen GmbH & Co. KG
Service Center
Dahlienstrasse 12
D-42477 Radevormwald

CE The CE sign is a free trade sign addressed exclusively to the authorities and does not include any warranty of any properties.

Gira
Giersiepen GmbH & Co. KG
Postfach 1220
D-42461 Radevormwald

Telefon: +49 / 21 95 / 602 - 0
Telefax: +49 / 21 95 / 602 - 339
Internet: www.gira.de