

**Instabus Automatic Switch**  
**Comfort Attachment for High Installation Zone**  
**Comfort Attachment**  
**Standard Attachment**  
**Standard Attachment for High Installation Zone**

Order no.:  
Order no.: 0573 xx, 1305 xx  
  
Order no.: 0879 xx, 1304 xx  
Order no.: 0880 xx  
Order no.: 0889 xx

## System Information

This device is a product of the Instabus EIB system and complies with EIBA directives.

Detailed technical knowledge obtained in Instabus EIB training courses is a prerequisite to proper understanding.

The functionality of this device depends on the software.

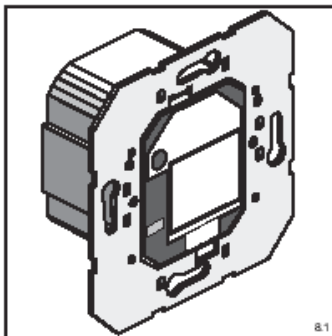
Detailed information on loadable software and attainable functionality as well as on the software itself may be taken from the manufacturer's product database.

Planning, installation and commissioning of the unit are performed by means of EIBA certified software.

## Installation Instructions

All attachment models are plugged onto an Instabus bus coupler.

Instructions on how to fit and install a bus coupler can be obtained from the technical documentation.



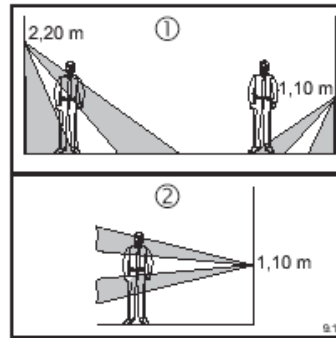
**Caution:** The installation and assembly of electrical equipment may only be carried out by a skilled electrician.

## Function

This user module is designed for interior application. It responds to thermal movements released by persons, animals or objects and transmits corresponding telegrams to the Instabus.

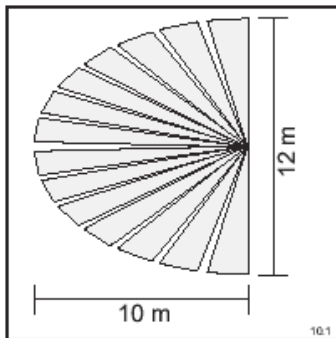
The device must be fitted at the opposite installation height (1.10 m or 2.20 m), depending upon the cap lens type.

- ① Lens for 2.20 m and 1.10 m installation height.
- ② Lens for 1.10 m installation height.

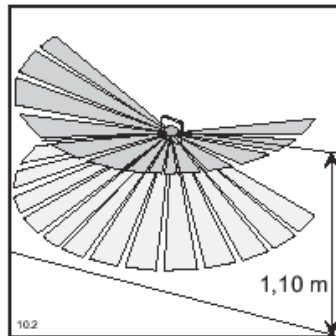


**Detection Field Pictorial Schematic Cap lens for 1.10 m installation height.**

Size of detection field: 10 m x 12 m.



Installation to different heights may vary the rated (recommended) detection range.



Details refer to an installation height of 1.10 m.

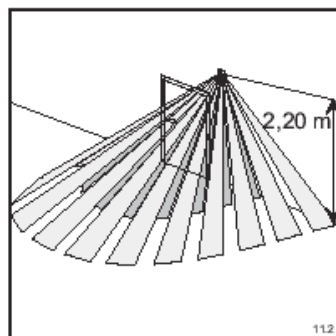
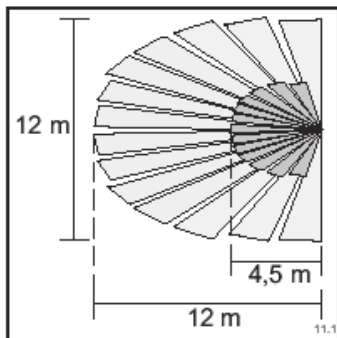
**Detection Field Pictorial Schematic Cap lens for 2.20 m installation height.**

Detection field for 2.20 m installation height

Details refer to an installation height of 2.20 m.

Size of detection field: 12 m x 12 m.

Installation to different heights may vary the rated (recommended) detection range.

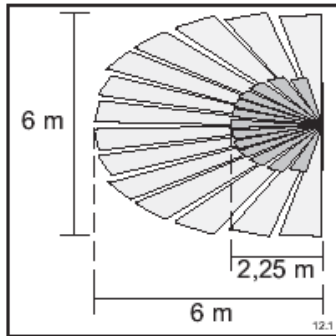


**Example:**

Detection Field Pictorial Schematic Cap lens for 2.20 m installation height, however, fitted at a height of 1.10 m.

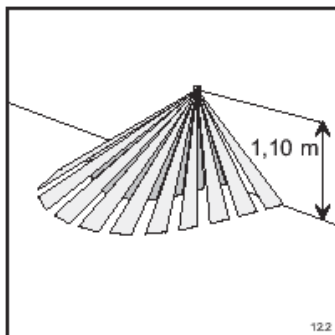
Detection field for 1.10 m installation height:

Size of detection field: 6 m x 6 m.



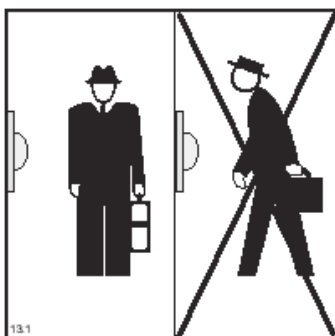
Details refer to an installation height of 1.10 m.

If pets, such as cats and dogs, are not to be detected, use cap lens for 1.10 m installation height.



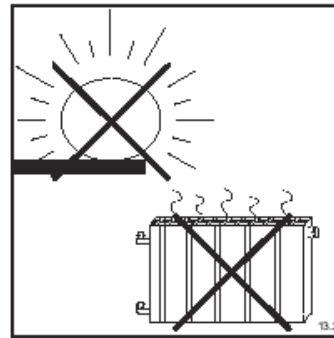
For achieving the optimum detection range, install the observer lateral to the walking direction.

**Otherwise, losses in detection range must be expected.**



Avoid interfering sources, e. g. lamps or heatings within the detection range of the devices. (Refer to chapter 'Application of Slip-On Aperture'.)

Never align sensors towards the sun. The high thermal energy may cause irreparable damage to them.

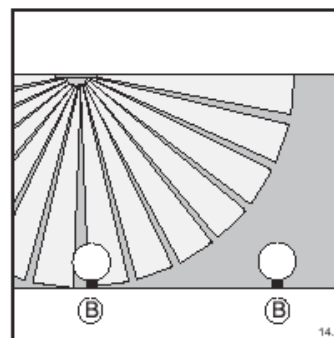


**Note:**

When voltage returns (also after re-programming the standard attachment), a time delay of approx. 80 seconds has to be expected until re-starting.

If lighting (B) is switched off, the device may, under unfavourable installation conditions, be re-started due to the detection of the lamps (cooling down, which means different temperature), reflexion of heat radiation from the lighting, or because of too close a spacing between the sensor and the light fitting.

In such cases, undesired re-starting can be avoided by extending the preset interlocking time (software function).



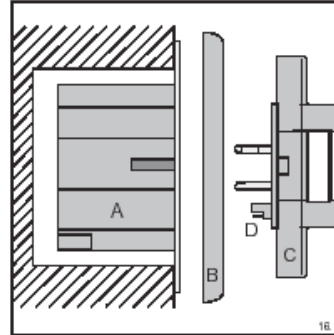
## Installation

The user module must be plugged onto a bus coupler (A).

User interface (D) of the attachment needs to be placed at the bottom as, otherwise, malfunctioning may occur.

Frame (B) must be plugged onto the flush-mounted insert together with sensor part (C).

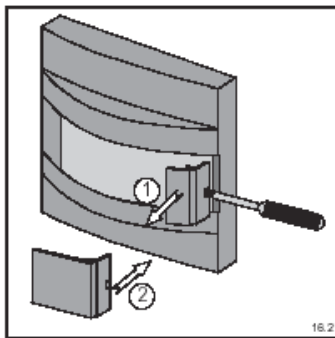
Contacting is effected via a user interface (AST).



## Application of Slip-On Aperture

With the aid of the attached slip-on aperture, interfering sources can be eliminated by limiting the detection field. The aperture can cover either the left or the right half of the detection field (90° each).

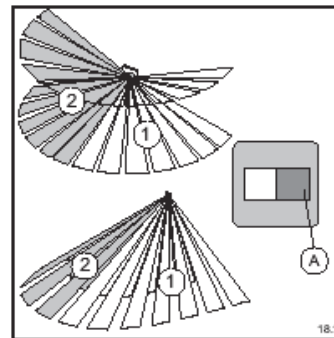
- ① Remove lateral cover with a screw driver.
- ② Snap in 90° aperture.



Detection field with attached aperture (A).

- ① gated (covered) area.
- ② detected area.

**Cutting the aperture to smaller angles may cause malfunctioning.**



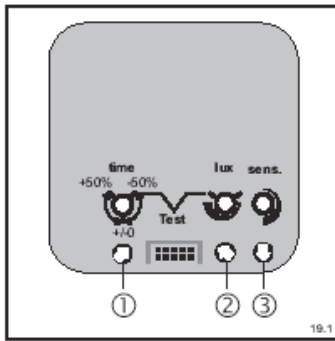
## Adaptation to the Installation Environment

### Comfort Attachment

The comfort attachment can be adapted to the local conditions by means of three potentiometers (device rear side).

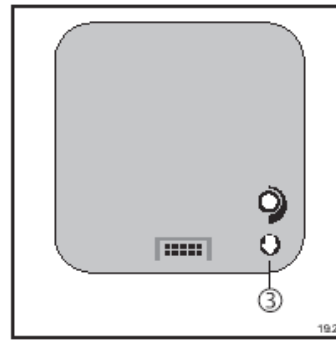
- ① Potentiometer for altering the „additional transmitting delay“ software default (time base x factor) by  $\pm 50\%$ .  
Middle position  $\pm 0$  = software default.  
The function of this potentiometer can be deactivated through the software.

- ② Fine adjustment of the twilight stage software default.  
Adjustable ranges:  
3 - 10 / 10 - 30 / 30 - 60 / 60 - 100 lux  
The function of this potentiometer can be deactivated through the software.



**Comfort and Standard Attachments**

- ③ Potentiometer (device rear side) for continuously adjustable reduction of the maximum detection range from 100% to 20%, independent of the software.



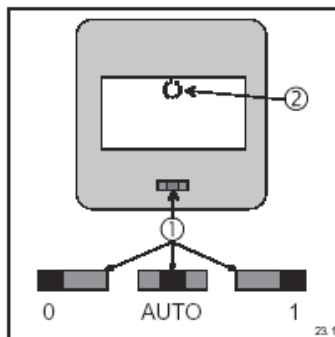
**Manual Controls**

**Comfort Attachment**

When enabled by the software, the comfort attachment offers the possibility of setting the mode of the device by a slide switch located at the bottom side of the attachment.

Pushing mode selector switch ① to position 1 or 0 generates a telegram in dependence upon the software and activates inhibiting.

Bringing the switch to AUTO activates automatic operation.

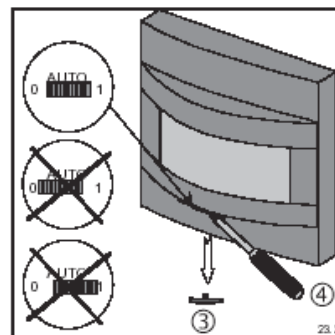


The function of the slide switch can be deactivated through the software.

- ② Position of the diagnostic LED (please refer to Function Test).

If required, the mode selector switch can be mechanically locked at the AUTO position:

- Set the mode selector switch to AUTO position.
- Carefully remove mode selector slider with a suitable screw driver .
- Insert the attached locking clip.



## Comfort Attachment Function Test

The comfort attachment has a test function and a diagnostic LED for checking the function of the device and the detection field.

To activate the test function:

1. Pull off the attachment.
2. Set potentiometers 'time' ① and 'lux' ② to the 'Test' mark.
3. Plug on the attachment.1

When test operation is enabled by the software, the subsequent functions follow:

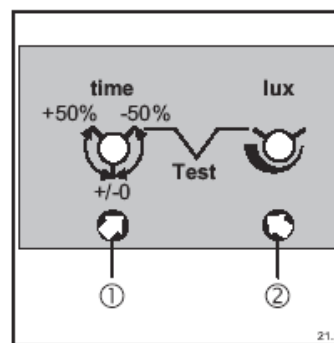
- No movement telegrams are transmitted.
- When a movement is detected, the diagnostic LED is turned on. It goes out at the end of detection.
- The device works independently of the brightness.
- Master stations and extensions operate independently.
- The delay time of 80 sec. after the application of the bus voltage to the device is omitted.

To deactivate the test function:

1. Inhibit enabling by the software or pull off the attachment and change the potentiometer setting (Test).
2. Plug on the attachment.

**Note:**

The diagnostic LED can only be seen on attachments with a white lens.



## Specifications

Angle of detection: 180°  
 Class of protection: IP 20  
 Ambient temperature: -5 °C to +45 °C

### Connections

User interface (AST): 2 x 5-pole for sensor part

### Cap lens for 1.10 m installation height

Front rated detection range: 10 m  
 Lateral rated detection range: 2 x 6 m  
 Installation height for rated detection range: 1.10 m  
 Numbers of lenses: 18  
 Lens planes: 2

### Cap lens for 2.20 m installation height

Front rated detection range: 12 m  
 Lateral rated detection range: 2 x 6 m  
 Installation height for rated detection range: 2,20 m  
 Numbers of lenses: 18  
 Lens planes: 2

## Acceptance of guarantee

We accept the guarantee in accordance with the corresponding legal provisions.

**Please return the unit postage paid to our central service department giving a brief description of the fault:**

Gira  
Giersiepen GmbH & Co. KG  
**Service Center**  
Dahlienstrasse 12  
D-42477 Radevormwald

---

**CE** The CE sign is a free trade sign addressed exclusively to the authorities and does not include any warranty of any properties.

Gira  
Giersiepen GmbH & Co. KG  
Postfach 1220  
D-42461 Radevormwald

Telefon: +49 / 21 95 / 602 - 0  
Telefax: +49 / 21 95 / 602 - 339  
Internet: [www.gira.de](http://www.gira.de)