

General description

The DMXBUS-K is a communication gateway between KNX protocol and DMX 512 protocol.

This device allows to regulate the 512 channel supported by DMX protocol and to execute up to 8 scenes, being easily programmable through the projects developing software ETS. Thanks to this device it is possible to regulate individually each DMX channel, programing complex group of commands in scenes or controlling RGB Leds.

Characteristics

- 512 DMX channels emulation.
- Up to 8 scenes execution per channel.

Technical information

Supply – 230 Vac.

Max power consumption – 2,6 VA @ 230 Vac.

KNX supply -29 VDC from BUX KNX.

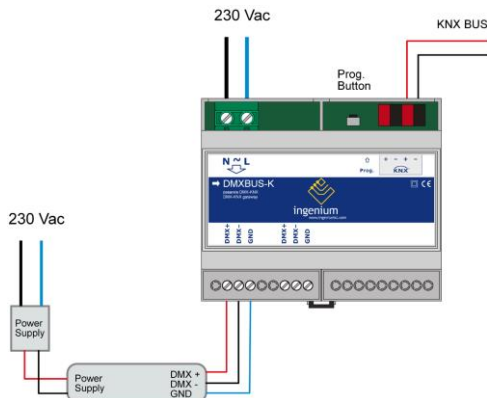
BUS current consumption – 1 mA.

Mounting - DIN Rail (6 modules).

Environment temperature range - Operation: from -10°C to 55°C / Storage: from -30°C to 60°C / Transportation: from -30°C to 60°C.

Regulation - According to the directives of electromagnetic compatibility and low voltage. EN 50090-2-2 / UNE-EN 61000-6-3:2007 / UNE-EN 61000-6-1:2007 / UNE-EN 61010-1.

Installation



Remarks



Feed low voltage lines (KNX bus and inputs) in separate ducting to that of power (230V) and outputs to ensure there is enough insulation and avoid interferences.

Do not connect the main voltages (230 V) or any other external voltages to any point of the KNX bus or inputs.

QR-Code

