

ITR700-001 - KNX RF 2 CHANNEL PUSH BUTTON INTERFACE



Device	ITR700-001
Power Supply	2 batteries 3V CR2025 (included)
Battery life (esteemed)	>8 years
Radio Frequency	868,3MHz
Transmission Power	< 10dB
Transmission Range	In free field: ~100m Indoors: ~ 30m
KNX Media	KNX-RF S-Mode
Temperature accuracy	±0,3 °C between -10 °C & +70 °C
Type of Protection	IP 20, Class II
Temperature Range	Operation (-5°C...45°C) Storage (-15°C...55°C)
Maximum Air Humidity	< 90 RH
Flammability	Non-flammable Product
Color	Light Grey
Dimensions	45x42x12 mm (HxWxD)
Certification	KNX Certified
Configuration	Configuration with ETS

DESCRIPTION

Interra ITR700-001 is a 2 pushbutton input wireless KNX RF S-Mode transmitter with a built-in temperature sensor. ITR700-001 is a perfect solution for using in conventional installations without placing KNX bus cables. Communication with the KNX Bus must be carried out using a ITR750-002 KNX RF S-Mode media coupler.

Interra ITR700-001 KNX RF push button interface detects the status changes at its inputs and send telegrams according to ETS configuration. In addition, it also allows the measurement of the temperature and the management of temperature alarms. Each of 2 inputs can be parameterized individually through the ETS.

FUNCTIONS & CHARACTERISTICS

- Acting on 1 or 2 independent output channels.
- Function of each input : Switch, Timed Start/Stop, Dimmer, Multiple Switch, Shutter control, Scene control, Fixed value/ Forced.
- The Temperature Sensor incorporates different options that must be parameterized: Transmission frequency, over-heating or over-cooling alarms and temperature sensor calibration.
- Flush mounting within an universal box, behind a pushbutton.

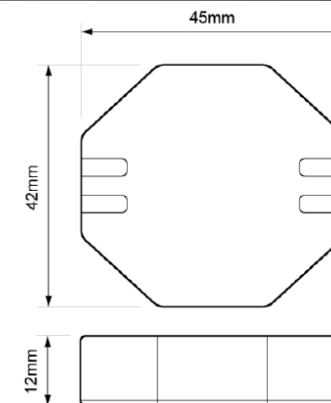
INSTALLATION

The range of the radio signal depends on various external states. The range can be optimized by the choice of installation location avoiding placing it close to any possible sources of interference, e.g. metallic surfaces, microwave ovens.

SAFETY NOTES

- Avoid to install it close to radio electrical devices, microwaves,...
- Leave a minimum separation of 2m between the transmitter and the receiver.
- May be used for indoor installations in dry rooms only.

DIMENSIONS



LAYOUTS AND WIRINGS

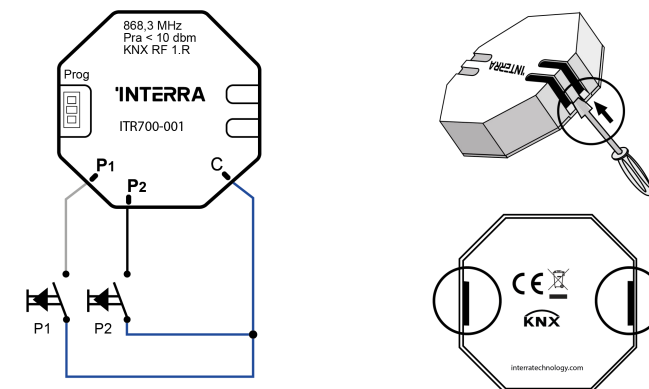


Fig. 1

BATTERY CHANGE

When the battery reaches the limit of its life, ITR700-001 sends a warning telegram to KNX bus. To replace the battery (Fig. 1) release the cover of the sensor with the help of a screwdriver. Insert it into the upper slot. Remove the cover of the socle and remove the battery being careful with the components of the printed circuit.