

**1-gang push-button BCU, switch position**

Art.-No.: 4071.01 LED

**1-gang push-button BCU, neutral position**

Art.-No.: 4071.02 LED

**1-gang push-button BCU, switch position**

Art.-No.: 8471.01 LED W

**1-gang push-button BCU, neutral position**

Art.-No.: 8471.02 LED W

**2-gang push-button BCU, switch position**

Art.-No.: 4072.01 LED

**2-gang push-button BCU, neutral position**

Art.-No.: 4072.02 LED

**2-gang push-button BCU, switch position**

Art.-No.: 8472.01 LED W

**2-gang push-button BCU, neutral position**

Art.-No.: 8472.02 LED W

## Operating instructions

### 1 Safety instructions

Electrical equipment may only be installed and fitted by electrically skilled persons.

Serious injuries, fire or property damage possible. Please read and follow manual fully.

These instructions are an integral part of the product, and must remain with the end customer.

### 2 Device components

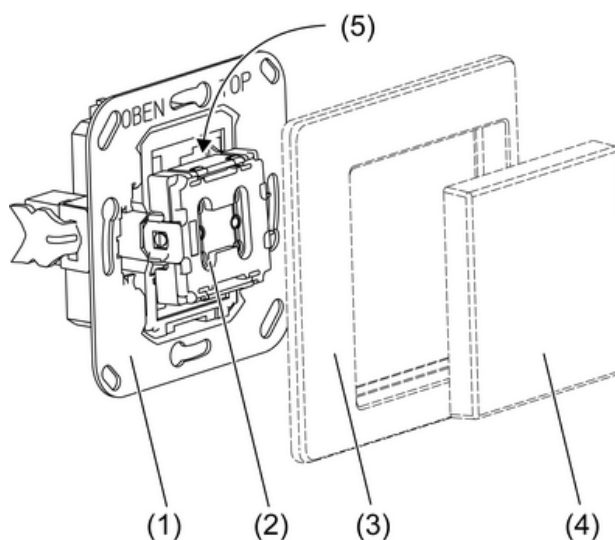


Figure 1

- (1) Push-button BA
- (2) Socket for operating rocker
- (3) Frame
- (4) Rocker
- (5) Programming button and LED

### 3 Function

#### System information

This device is a product of the KNX system and complies with the KNX directives. Detailed technical knowledge obtained in KNX training courses is a prerequisite to proper understanding.

The function of this device depends upon the software. Detailed information on loadable software and attainable functionality as well as the software itself can be obtained from the manufacturer's product database. Planning, installation and commissioning of the device are carried out with the aid of KNX-certified software. The latest versions of product database and the technical descriptions are available on our website.

#### Intended use

- Operation of loads, e.g. light on/off, dimming, blinds up/down, brightness values, temperatures, calling up and saving light scenes, etc.
- Installation in appliance box to DIN 49073

#### Product characteristics

- Adaption of conventional switch ranges for KNX installations

Depending on the version:

- Completion with 1-gang or 2-gang rocker
- Push switch function with 1 pressure point, or rocker switch function with 2 pressure points
- WP versions: With water-protected surface-mounted box IP 44
- Flush-mounted versions: Water-protected mounting IP 44 possible with sealing flange (see accessories) and IP-44 frame of the respective switch range.

### 4 Information for electrically skilled persons



#### **DANGER!**

**Electrical shock on contact with live parts in the installation environment.**

**Electrical shocks can be fatal.**

**Before working on the device, disconnect the power supply and cover up live parts in the working environment.**

#### 4.1 Fitting and electrical connection

##### Connecting and fitting the device

- i** Mounting for higher IP protection class with suitable accessories.
  - Connect bus line with terminal to bus connection at the back.
  - Install the device in the right orientation on an appliance box. Observe marking TOP = TOP.
  - Load physical address into the device before mounting the rockers.
  - Attach operating rockers together with the corresponding frame.

#### 4.2 Commissioning

##### Load the address and the application software

- Switch on the bus voltage
- Press the programming button.  
The programming LED lights up.
- Assign physical address.  
The programming LED goes out.
- Write the physical address on the device label.
- Load the application software into the device.

## 5 Appendix

### 5.1 Technical data

KNX medium	TP 1
Commissioning mode	S-mode
Rated voltage KNX	DC 21 ... 32 V SELV
Power consumption KNX	typical 150 mW
Safety class	III
Connection mode KNX	Connection terminal
Ambient conditions	
Ambient temperature	-25 ... +55 °C
Storage/transport temperature	-25 ... +70 °C
Relative humidity	5 ... 93 % (No moisture condensation)

### 5.2 Accessories

Sealing gasket	Art.-No.: 551 WU
----------------	------------------

### 5.3 Warranty

We reserve the right to make technical and formal changes to the product in the interest of technical progress.

We provide a warranty as provided for by law.

Please send the unit postage-free with a description of the defect to our central customer service office.

#### **ALBRECHT JUNG GMBH & CO. KG**

Volmestraße 1  
58579 Schalksmühle

Telefon: +49 23 55.8 06-0  
Telefax: +49 23 55.8 06-2 04  
kundencenter@jung.de  
www.jung.de

#### **Service Center**

Kupferstr. 17-19  
44532 Lünen  
Germany