

Push-button extension module, 1-gang

Art. No. 5091 TSEM

Push-button extension module, 2-gang

Art. No. 5092 TSEM

Push-button extension module, 3-gang

Art. No. 5093 TSEM

Push-button extension module, 4-gang

Art. No. 5094 TSEM

Operating instructions
1 Safety instructions

Electrical equipment may only be installed and fitted by electrically skilled persons.

Serious injuries, fire or property damage possible. Please read and follow manual fully.

Use only the enclosed plastic screws for fastening to the supporting frame! Otherwise safe operation cannot be ensured. Electrostatic discharges can cause defects in the device.

These instructions are an integral part of the product, and must remain with the end customer.

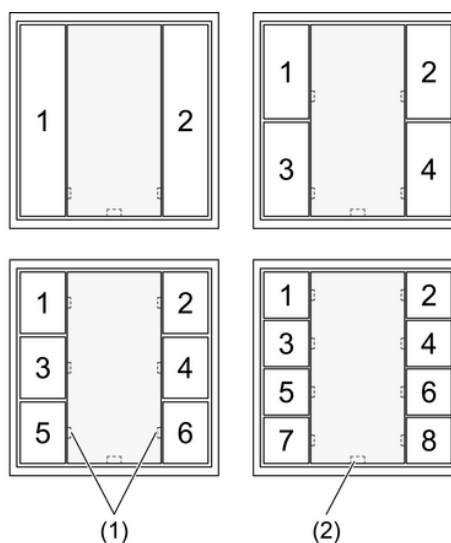
2 Device components


Figure 1: Push-button extension modules - front view

(1) Status LED

(2) Operation LED

3 Function
Intended use

- Operation of loads, e.g. light on/off, dimming, blinds up/down, brightness values, temperatures, calling up and saving light scenes, etc.
- Coupling to universal push-button module 509x (see Accessories)
- Installation in appliance box according to DIN 49073

Product characteristics

- The pushbutton functions switching, dimming, controlling blinds, value transmitter, calling up moods, etc.
- One or two functions per button

- Completion with set of buttons (Accessory)
- Illuminable inscription panel
- One red status LED per button – red, green or blue adjustable
- One operation LED as an orientation light and to indicate the programming status – red, green or blue adjustable
- Brightness of status LED, operation LED and labelling field adjustable; switchable while in operation, e.g. during the night
- Measurement of the room temperature
- Extension for room temperature controller
- Disabling function: Disable or function switch-over of all or of individual push-button functions
- Alarm function, optionally with confirmation by pressing any button
- Energy saving mode

4 Information for electrically skilled persons



DANGER!

**Electrical shock on contact with live parts in the installation environment.
Electrical shocks can be fatal.**

Before working on the device, disconnect the power supply and cover up live parts in the working environment.

4.1 Fitting and electrical connection

Mounting and connecting the extension module

Using the bus line, connect the push-button extension module to the push-button module. Use the yellow and white wire pair. Observe the polarity: yellow = +, white = -.

- i** When the bus line is used for both the KNX wiring and to connect the push-button extension module, ensure that the yellow and white wire pair is not used for anything else. Do not exceed the cable length. Do not connect any external SELV voltage. Do not connect any additional push-button modules or extension modules.

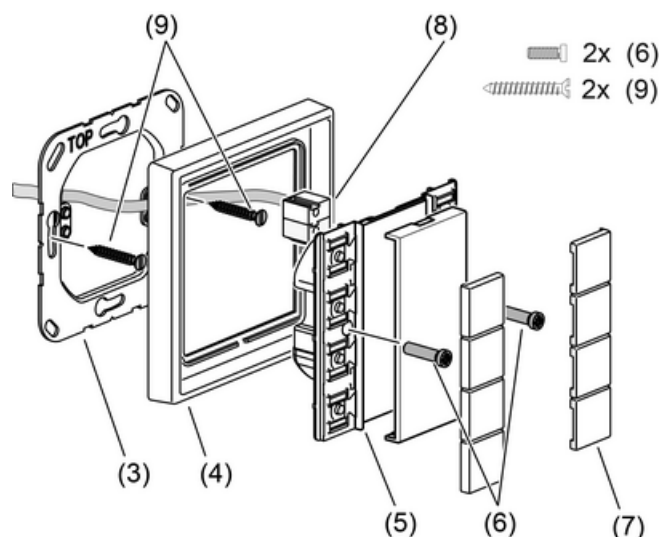


Figure 2: Mounting of push-button extension module

- (3) Supporting frame
- (4) Frame
- (5) Push-button extension module
- (6) Fastening screws, plastic
- (7) Buttons

- (8) Connection terminal for extension module
- (9) Box screws


DANGER!

When mounting with 230 V devices under a common cover, e.g. socket outlets, there is a danger of electrical shocks in the event of a fault!

Electrical shocks can be fatal.

Only use the preassembled plastic screw as locking screw!

- Mount supporting frame (3) in the right orientation on an appliance box. Note marking **TOP**. Use only the enclosed box screws (9).
- Push frame (4) onto supporting frame.
- Using the white and yellow connection terminal (8) and a suitable bus line, connect the push-button extension module (5) to the push-button module (10) and attach it to the support ring.
- Fix push-button extension module (5) to supporting frame using the plastic screws (6) enclosed. Tighten the plastic screws only lightly.

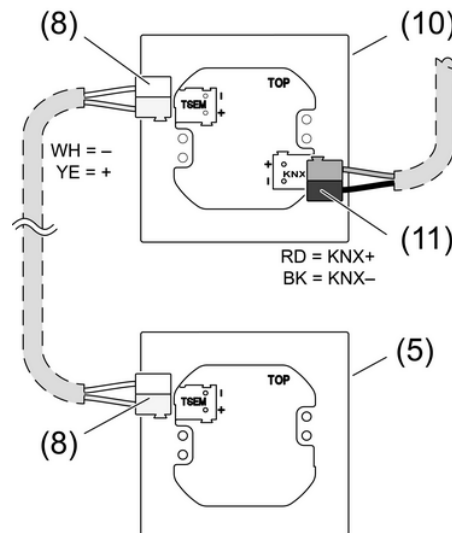


Figure 3: Mounting of push-button extension module

- (10) Push button module Universal
- (11) KNX connection terminal

Installing the buttons

The buttons are available as a complete set of buttons (see accessories).

- Place the buttons on the device in the correct orientation and snap in with a short push.

5 Appendix

5.1 Technical data

Rated voltage	DC 20 V
Current consumption	max. 6 mA
Connection, Bus	Connection terminal
Cable length	max. 30 m
Cable type	J-Y(St)Y 2 x 2 x 0.8 mm
Ambient temperature	-5 ... +45 °C
Storage/transport temperature	-25 ... +70 °C
Protection class	III

5.2 Accessories

Cover kit 1-gang, complete
Cover kit 2-gang, complete
Cover kit 3-gang, complete
Cover kit 4-gang, complete
Universal push-button module, 1-gang
Universal push-button module, 2-gang
Universal push-button module, 3-gang
Universal push-button module, 4-gang

Art. No. ..501 TSA..
Art. No. ..502 TSA..
Art. No. ..503 TSA..
Art. No. ..504 TSA..
Art. No. 5091 TSM
Art. No. 5092 TSM
Art. No. 5093 TSM
Art. No. 5094 TSM

5.3 Warranty

We reserve the right to make technical and formal changes to the product in the interest of technical progress.

We provide a warranty as provided for by law.

Please send the unit postage-free with a description of the defect to our central customer service office.

ALBRECHT JUNG GMBH & CO. KG

Volmestraße 1
58579 Schalksmühle

Telefon: +49.23 55.8 06-0
Telefax: +49.23 55.8 06-2 04
kundencenter@jung.de
www.jung.de

Service Center

Kupferstr. 17-19
44532 Lünen
Germany