

Push-button extension module, 1-gang

Art. No. : ..5091 TSEM

Push-button extension module, 2-gang

Art. No. : ..5092 TSEM

Push-button extension module, 3-gang

Art. No. : ..5093 TSEM

Push-button extension module, 4-gang

Art. No. : ..5094 TSEM

Room controller extension module 2-gang

Art. No. : ..5178 TSEM

Operating instructions

1 Safety instructions



Electrical devices may only be mounted and connected by electrically skilled persons.

Serious injuries, fire or property damage possible. Please read and follow manual fully.

Use only the enclosed plastic screws for fastening to the supporting frame! Otherwise safe operation cannot be ensured. Electrostatic discharges can cause defects in the device.

These instructions are an integral part of the product, and must remain with the end customer.

2 Device components

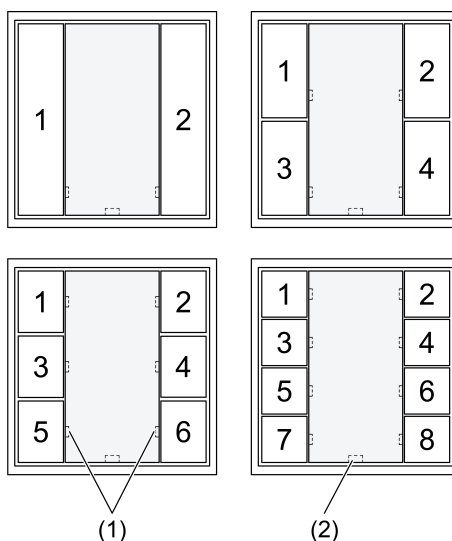


Figure 1: Push-button extension modules - front view

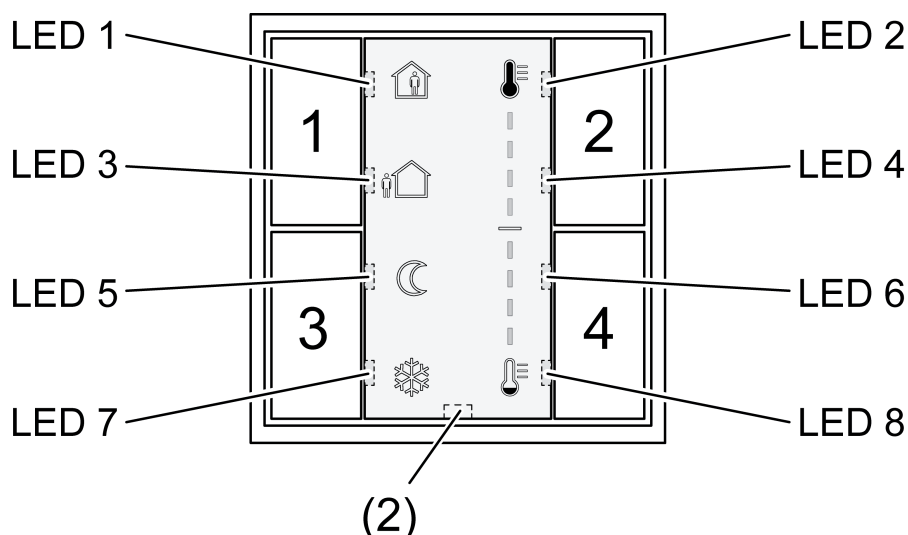


Figure 2: Room controller extension module - Front view

- (1) Status LED
- (2) Operation LED

3 Function

Intended use

- Operation of loads, e.g. light on/off, dimming, blinds up/down, brightness values, temperatures, calling up and saving light scenes, etc.
- Measurement of the room temperature
- Extension for room temperature controller
- Installation in appliance box according to DIN 49073

Push-button extension modules:

- Connection to Push button module Universal ..509.. TSM, Continuous controller module, 2-gang ..5178 TSM, Compact room controller module ..519.. KRMTSD
- Completion with set of buttons (Accessory)

Room controller extension module

- Connection to Compact room controller module ..519.. KRMTSD
- Completion with Cover kit 2-gang (Accessory)

4 Information for electrically skilled persons



DANGER!

**Electrical shock on contact with live parts in the installation environment.
Electrical shocks can be fatal.**

Before working on the device, disconnect the power supply and cover up live parts in the working environment.

4.1 Mounting and electrical connection

Mounting and connecting the extension module

Using the bus line, connect the extension module to the push-button module. Use the yellow and white wire pair. Observe the polarity: yellow = +, white = -.

- i** When the bus line is used for both the KNX wiring and to connect the extension module, ensure that the yellow and white wire pair is not used for anything else. Do not exceed the cable length. Do not connect any external SELV voltage. Do not connect any additional push-button modules or extension modules.

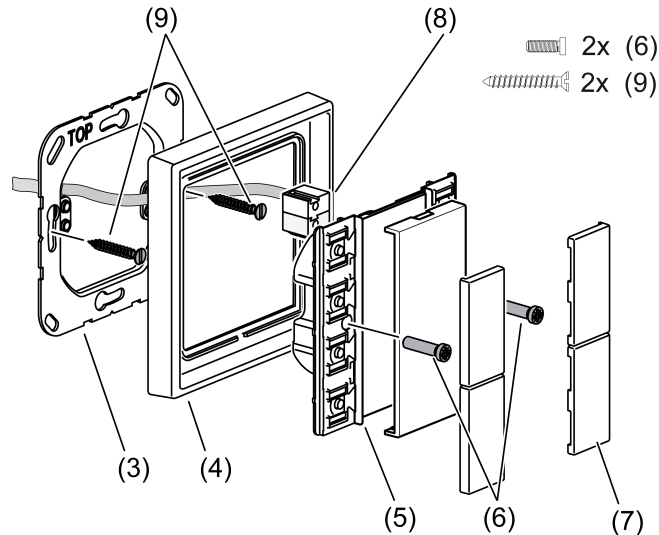


Figure 3: Mounting of extension module

- (3) Supporting frame
- (4) Frame
- (5) Extension module
- (6) Fastening screws, plastic
- (7) Buttons
- (8) Connection terminal for extension module
- (9) Box screws



DANGER!

Danger of electrical shock!

When mounting with 230 V socket outlets under a common cover there is a danger of electrical shocks in the event of a fault!

Use only the enclosed plastic screws for fastening to the supporting frame!

- Mount supporting frame (3) in the right orientation on an appliance box. Note marking **TOP**. Use only the enclosed box screws (9).
- Push frame (4) onto supporting frame.
- Using the white and yellow connection terminal (8) and a suitable bus line, connect the extension module (5) to the push-button module (10) and attach it to the support ring.
- Fix extension module (5) to supporting frame using the plastic screws (6) enclosed. Tighten the plastic screws only lightly.

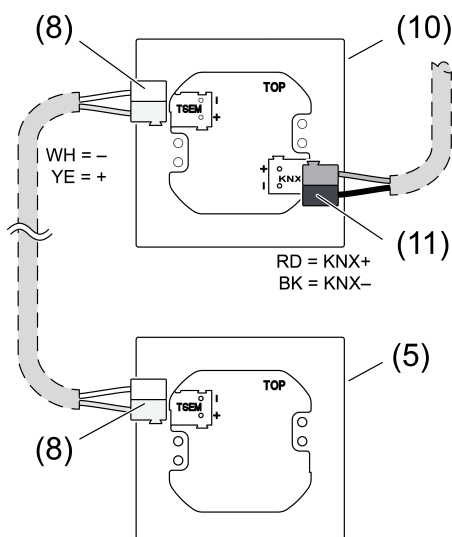


Figure 4: Connection of the extension module

(10) Push-button module

(11) KNX connection terminal

Installing the buttons

The buttons are available as a complete set of buttons (see accessories).

- Place the buttons on the device in the correct orientation and snap in with a short push.

5 Appendix

5.1 Technical data

Rated voltage	DC 20 V
Current consumption	max. 6 mA
Connection, Bus	Connection terminal
Cable length	max. 30 m
Cable type	J-Y(St)Y 2 x 2 x 0.8 mm
Ambient temperature	-5 ... +45 °C
Storage/transport temperature	-25 ... +70 °C
Protection class	III

5.2 Accessories

Cover kit 1-gang, complete	Art. No. ..501 TSA..
Cover kit 2-gang, complete	Art. No. ..502 TSA..
Cover kit 3-gang, complete	Art. No. ..503 TSA..
Cover kit 4-gang, complete	Art. No. ..504 TSA..

5.3 Warranty

The warranty follows about the specialty store in between the legal framework as provided for by law

ALBRECHT JUNG GMBH & CO. KG

Volmestraße 1
58579 Schalksmühle
GERMANY

Telefon: +49 2355 806-0
Telefax: +49 2355 806-204
kundencenter@jung.de
www.jung.de