

**Standard push-button module, 1-gang**

Art. no.: 5071 TSM

**Standard push-button module, 2-gang**

Art. no.: 5072 TSM

**Standard push-button module, 3-gang**

Art. no.: 5073 TSM

**Standard push-button module, 4-gang**

Art. no.: 5074 TSM



Operating philosophy F50  
www.jung.de

**User manual**

**1 Safety instructions**

Electrical equipment may only be installed and fitted by electrically skilled persons.

Serious injuries, fire or property damage possible. Please read and follow manual fully.

Use only the enclosed plastic screws for fastening to the supporting frame! Otherwise safe operation cannot be ensured. Electrostatic discharges can cause defects in the device.

These instructions are an integral part of the product, and must remain with the end customer.

**2 Device components**

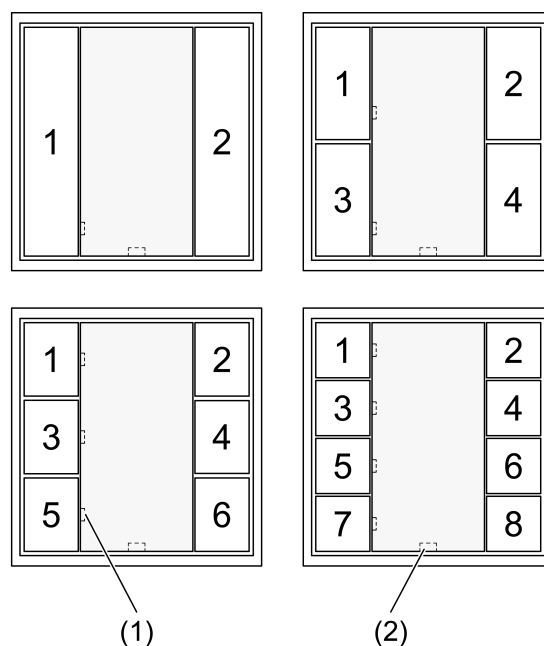


Figure 1: Standard push-button modules - front view

- (1) Status LED
- (2) Operation LED

**3 Function**

**System information**

This device is a product of the KNX system and complies with the KNX directives. Detailed technical knowledge obtained in KNX training courses is a prerequisite to proper understanding.

The function of this device depends upon the software. Detailed information on loadable software and attainable functionality as well as the software itself can be obtained from the manufacturer's product database. Planning, installation and commissioning of the device are carried out with the aid of KNX-certified software. The latest versions of product database and the technical descriptions are available on our website.

#### Intended use

- Operation of loads, e.g. light on/off, dimming, Venetian blinds up/down, recalling and saving light scenes, etc.
- Mounting in appliance box according to DIN 49073

#### Product characteristics

- The pushbutton functions switching, dimming, controlling blinds, value transmitter, calling up moods, etc.
- Completion with set of buttons (Accessory)
- One red status LED per button pair
- One operation LED as an orientation light and to indicate the programming status – red, green or blue adjustable
- Energy saving mode
- Integrated bus coupling unit

#### Energy saving mode

The device switches to the energy saving mode after a preset time or by an external telegram. In energy saving mode all LED functions are switched off. The device leaves the energy saving mode – depending on programming – on operation or by an external telegram.

**i** Operations from the energy saving mode are executed immediately.

## 4 Operation

The operation of functions or electrical consumers can be set individual for each device. Two operating modes are used:

- Single area operation:  
Switching on or off, e.g. of lighting, takes place alternately when the button is pressed repeatedly.
- Dual-area operation  
Two buttons next to each other form a function pair. Pressing the left button, for example, switches or dims lighting on or brighter, pressing the right one switches it off or makes it darker.

#### Operating a function or load

- Switch: Short press on button.
- Dim: Long press on the button.
- Move Venetian blind: Long press on button.
- Stop or adjust Venetian blind: Short press on button.
- Call up light scene: Short press on button.
- Save light scene: Long press on button.

## 5 Information for electrically skilled persons



### DANGER!

Electrical shock on contact with live parts in the installation environment.

Electrical shocks can be fatal.

Before working on the device, disconnect the power supply and cover up live parts in the working environment.

### 5.1 Fitting and electrical connection

#### Mounting and connecting the device

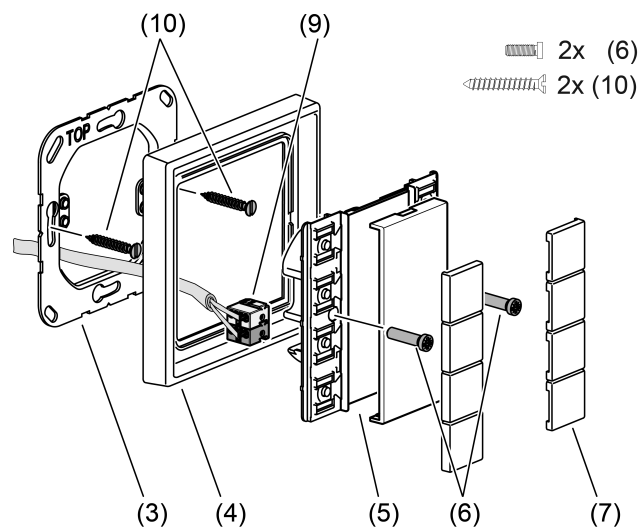


Figure 2: Mounting of standard push-button sensor module

- (3) Supporting frame
- (4) Frame
- (5) Push-button module
- (6) Fastening screws, plastic
- (7) Release the
- (8) KNX connection terminal
- (9) Box screws



### DANGER!

Danger of electrical shock!

When mounting with 230 V socket outlets under a common cover there is a danger of electrical shocks in the event of a fault!

Use only the enclosed plastic screws for fastening to the supporting frame!

- Mount supporting frame (3) in the right orientation on an appliance box. Note marking TOP =. Use only the enclosed box screws (10).
- Push frame (4) onto supporting frame.
- Connect push-button module (5) to the KNX using KNX connecting terminal (9) and push onto the supporting frame.
- Fix pushbutton module to supporting frame using the enclosed plastic screws (6). Tighten the plastic screws only lightly.

- Before mounting the buttons (7), load the physical address into the device.

## 5.2 Commissioning

### Loading the physical address and application software

Project design and commissioning with ETS3.0d Patch A or more recent.

The device is connected and ready for operation.

The buttons are not mounted yet.

- i** If the device does not contain any application software, or the wrong application software, then the operation LED (2) flashes slowly in blue.

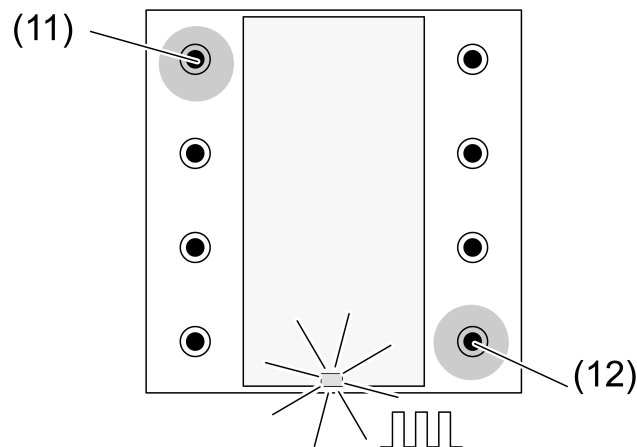


Figure 3: Activating programming mode

- Activate programming mode: Press and hold push-button at the upper left (11). Then press push-button at the lower right (12). The operation LED (2) flashes quickly.
- Load the physical address into the device. The operation LED (2) returns to its previous state – off, on, or flashing slowly.
- Write the physical address on the device label.
- Load the application software into the device.

### Installing the buttons

The buttons are available as a complete set of buttons (see accessories).

- Place the buttons on the device in the correct orientation and snap in with a short push.

## 6 Appendix

### 6.1 Technical data

KNX medium	TP 1
Commissioning mode	S-mode
Rated voltage KNX	DC 21 ... 32 V SELV
Current consumption KNX	max. 12.5 mA
Connection mode KNX	device connection terminal
Ambient temperature	-5 ... +45 °C
Storage/transport temperature	-25 ... +70 °C
Protection class	III

## 6.2 Accessories

Cover kit 1-gang, complete

Art. no. ..501 TSA..

Cover kit 2-gang, complete

Art. no. ..502 TSA..

Cover kit 3-gang, complete

Art. no. ..503 TSA..

Cover kit 4-gang, complete

Art. no. ..504 TSA..

## 6.3 Warranty

The warranty follows about the specialty store in between the legal framework as provided for by law

### **ALBRECHT JUNG GMBH & CO. KG**

Volmestraße 1

58579 Schalksmühle

GERMANY

Telefon: +49.23 55.8 06-0

Telefax: +49.23 55.8 06-2 04

kundencenter@jung.de

www.jung.de