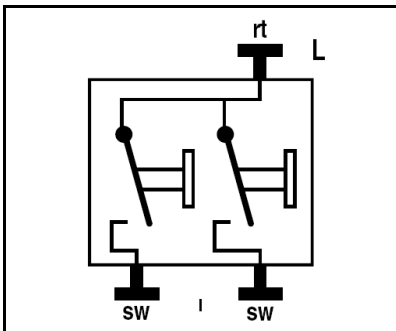


Description: 2-gang switch insert (1-pole, 1-way)

Ref.-no.: 505 U



Contact assignments

Technical data

Switching voltage: AC 250 V ~
Switching current: 10 AX
Connection: screwless terminals
Switch type: 1-pole, 1-way