

Radio hand-held transmitter 2-gang

Art. No. : HS2 RF

Radio hand-held transmitter 4-gang

Art. No. : HS4 RF

Operating instructions**1 Safety instructions**

Electrical devices may only be mounted and connected by electrically skilled persons.

Serious injuries, fire or property damage possible. Please read and follow manual fully.

Keep button cells out of reach of children! If button cells are swallowed, get medical help immediately.

Risk of explosion! Do not throw batteries into fire.

Risk of explosion! Do not recharge batteries.

The radio communication takes place via a non-exclusively available transmission path, and is therefore not suitable for safety-related applications, such as emergency stop and emergency call.

These instructions are an integral part of the product, and must remain with the end customer.

2 Function**System information**

This device is a product of the KNX system and complies with the KNX directives. Detailed technical knowledge obtained in KNX training courses is a prerequisite to proper understanding.

The range of a radio system depends on various external circumstances. The range can be optimised by the choice of installation location. The product documentation for this device contains application basics for the KNX radio system.

Planning, installation and commissioning are carried out with the aid of KNX-certified software of version ETS5 or higher. You can find the up-to-date product database, technical descriptions and Declaration of Conformity on our Internet site.

Intended use

- Operation of loads, e.g. light on/off, dimming, Venetian blinds up/down, brightness values, calling up and saving light scenes
- Operation in cabled KNX systems via media coupler (see chapter Accessories)

Product characteristics

- The pushbutton functions switching, dimming, controlling blinds, value transmitter, calling up moods, etc.
- Two or four button pairs for rocker or push-button function
- Two-colour LED to display actuation, sending status and actuator feedback
- Battery-powered device

i To ensure good transmission quality, keep a sufficient distance from any possible sources of interference, e.g. metallic surfaces, microwave ovens, hi-fi and TV systems, ballasts or transformers.

Energy saving mode

The device switches to the energy saving mode after a preset time. In energy saving mode, the LEDs remains switched off. During operation, the energy saving mode is exited.

i Operations from the energy saving mode are executed immediately.

Semi-bidirectional mode

Battery-operated KNX RF devices work in semi-bidirectional mode. If this device is not the only control panel, we recommend the use of the "Rocker function", as otherwise two button-presses may be necessary for operation.

3 Operation

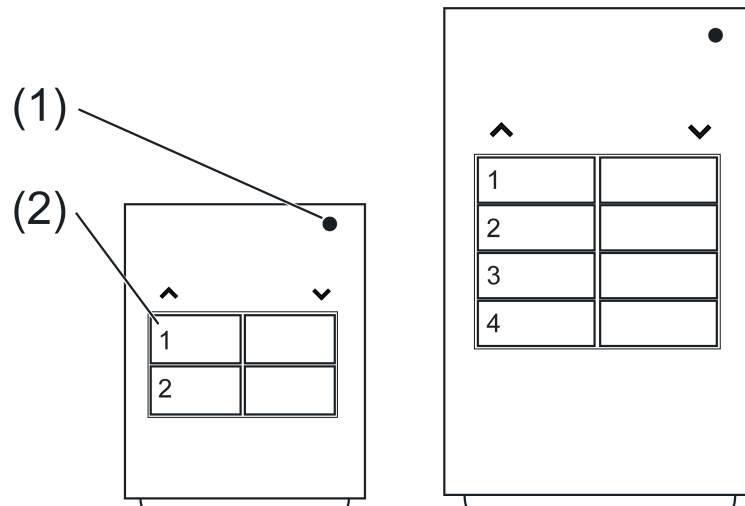


Figure 1: Radio hand transmitter 2-gang and 4-gang

- (1) Status LED
- (2) Buttons

Operating a function or load

- Switch: Short press on button.
- Dim: Long press on the button.
- Move Venetian blind: Long press on button.
- Stop or adjust Venetian blind: Short press on button.
- Call up light scene: Short press on button.
- Save light scene: Long press on button.
- Set value: Press button briefly.

LED function

The two-colour LED (1) indicates actuations, sending status and actuator feedback. The colour assignment may deviate or the function may sometimes be invisible, depending on the programming.

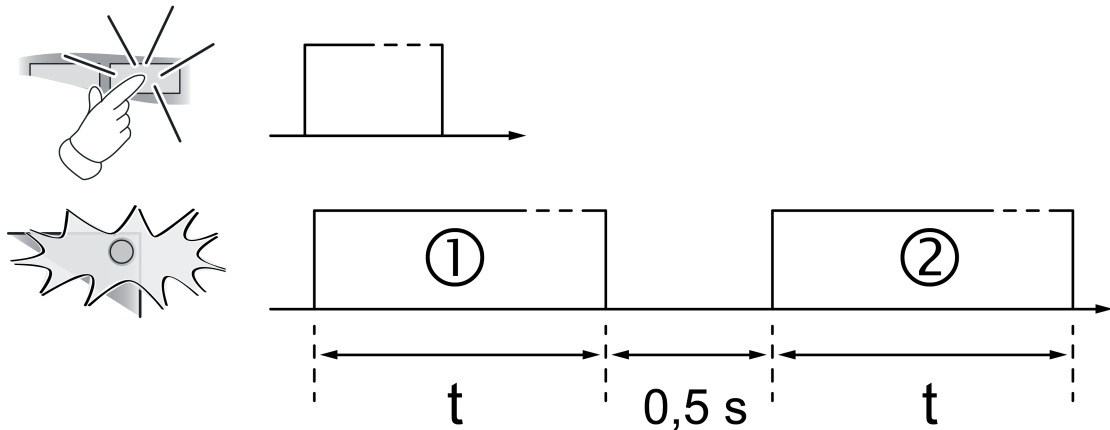


Figure 2: LED function

Phase 1: Actuation/sending display (red) or low battery level (flashing)

Phase 2: Actuator feedback (red/green) or sending error (flashing)

Insert battery



WARNING!

Risk of chemical burns.

Batteries can burst and leak.

Replace batteries only with an identical or equivalent type.

- Open battery compartment on the rear side of the hand-held transmitter.
- **i** Keep contacts of batteries and device free of grease.
- Apply battery to the positive contact of the battery holder. Observe polarity: the positive pole of the battery must be at the top.
- Press gently on battery to snap it in.
- Close battery compartment.

Hand-held transmitter is ready for operation.



Remove empty batteries immediately and dispose of in an environmentally friendly manner. Do not throw batteries into household waste. Consult your local authorities about environmentally friendly disposal. According to statutory provisions, the end consumer is obligated to return used batteries.

4 Commissioning

Load the address and the application software

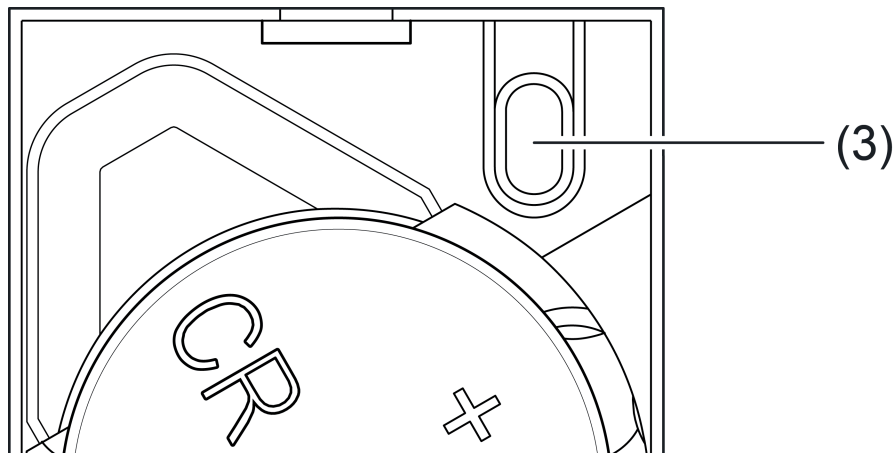


Figure 3: Programming button (3) in battery compartment

Project design and commissioning with ETS5 or a more recent version.

- i** If the device does not contain any application software, or the wrong application software, then the Status LED (1) flashes slowly in red and green for 3 seconds after a button-press.
 - Press the programming button (3).
The Status LED (1) flashes red.
 - Load the physical address and domain address into the device.
The status LED goes out.
 - Write the physical address and domain address on the inner side of the battery compartment lid.
 - Load the application software into the device.
- i** Before updating the system software or changing the application software, replace a battery with a new, unused battery.

5 Technical data

Rated voltage	DC 3 V
Battery type	1×Lithium CR 2450N
Ambient temperature	-5 ... +45 °C
Degree of protection	IP 20
Dimensions L×W×H	
Art. No. HS2 RF	55×40.5×15 mm
Art. No. HS4 RF	93×53×15.5 mm
KNX	
KNX medium	RF1.R
Commissioning mode	S-mode
Radio frequency	868.0 ... 868.6 MHz
Transmission capacity	max. 20 mW
Transmitting range in free field	typ. 100 m
Receiver category	2

6 Troubleshooting

After a button has been pressed, the status LED flashes red slowly for 3 seconds.

Cause: Battery in the hand-held transmitter is almost empty.

Changing the battery (see chapter Commissioning - Inserting the battery).

Receiver does not react, status LED displays a transmission error. Status LED flashes red quickly for 3 seconds.

Cause: The hand-held transmitter cannot send the telegram, e.g. due to a missing group address.

Correct the programming.

Receiver does not react, actuator feedback is not displayed.

Cause 1: Radio range exceeded. Structural obstacles reduce the range.

Using a radio repeater.

Cause 2: Receiver or media coupler is not ready for operation.

Check the receiver and mains voltage or media coupler.

Cause 3: There are radio faults, e.g. through outside radio.

Eliminate radio interference.

7 Accessories

KNX RF radio USB stick

Art. No. USB2130RF

8 Conformity

Albrecht Jung GmbH & Co. KG hereby declares that the radio system type

Art. No. HS2 RF / HS4 RF

corresponds to the directive 2014/53/EU. You can find the full article number on the device. The complete text of the EU Declaration of Conformity is available under the Internet address:

www.jung.de/ce

9 Warranty

The warranty follows about the specialty store in between the legal framework as provided for by law.

ALBRECHT JUNG GMBH & CO. KG

Volmestraße 1

58579 Schalksmühle

GERMANY

Telefon: +49 2355 806-0

Telefax: +49 2355 806-204

kundencenter@jung.de

www.jung.de