

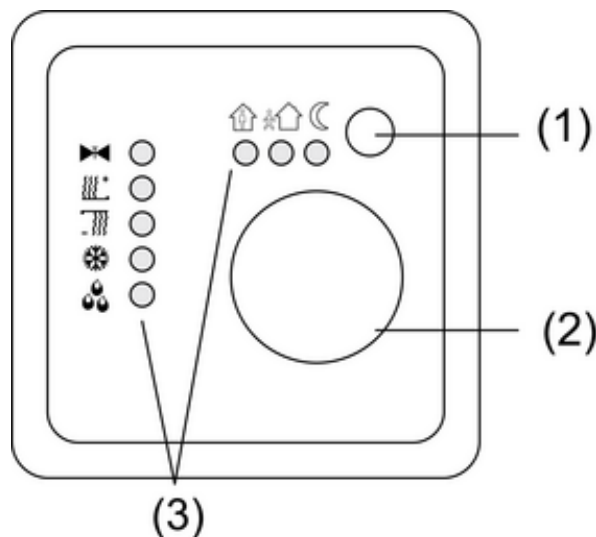
Room temperature controller with push-button interface 4-gang
Art.-No.: 2178TS**Operationsmanual****1 Safety instructions**

Electrical equipment may only be installed and fitted by electrically skilled persons.

Failure to observe the instructions may cause damage to the device and result in fire and other hazards.

Danger of electric shock on the KNX installation. Do not connect any external voltage to the inputs. Doing so may damage the device(s), and the SELV potential on the KNX bus line will no longer be available.

These instructions are an integral part of the product, and must remain with the end customer.

2 Device components

picture 1

- (1) Motion button
- (2) Adjustment dial
- (3) Status LED

3 Function**System information**

This device is a product of the KNX system and complies with the KNX directives. Detailed technical knowledge obtained in KNX training courses is a prerequisite to proper understanding.

The function of this device depends upon the software. Detailed information on loadable software and attainable functionality as well as the software itself can be obtained from the manufacturer's product database.

Planning, installation and commissioning of the device are carried out with the aid of KNX-certified software. Full functionality with KNX commissioning software version ETS3.0d onwards.

An updated version of the product database, technical descriptions and conversion programs and other auxiliary programs are available on our Internet website.

Intended use

- Single-room temperature control in KNX installations
- Load types: LED or electronic relay
- Installation in appliance box acc. to DIN 49073

Product characteristics

- Measurement of room temperature and comparison with setpoint temperature
- Setpoint specification by selection of the operating mode
- Operating modes Comfort, Standby, Night operation, Frost/heat protection
- Heating and cooling mode
- Heating and cooling with basic and auxiliary step
- Dial for setpoint adjustment
- Motion button
- Status LED
- Push-button interface with four inputs or two outputs and two inputs, e.g. for window contacts, push-buttons, LEDs, etc.
- Function of the inputs: switching, dimming, shutter control, light scene extension unit, brightness or temperature value transmitter
- Options: External temperature sensor connectable (accessories)


Functional description


The controller compares the current room temperature with the setpoint temperature and controls heating and cooling devices according to the current demand. The setpoint temperature is determined by the set operating mode and can be varied using the adjustment dial (2). The selected operating mode and the current controller status are display by the Status LED (3)(picture 1).

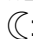
4 Operation**Operating modes and Status LED**

Each heater requires a certain time to bring a cooled room to the desired temperature. For this reason, with a brief absence the room temperature can only be decreased slightly, e.g. by 2 K, and at night by somewhat more, e.g. 4 K. The controller has various operating modes available for this.

Symbols of the electronics cover:

: Operating mode Comfort

: Operating mode Standby


: Operating mode Night

: Operating mode Frost/heat protection

: Operating mode Comfort extension/night

: Operating mode Comfort extension/frost/heat protection

: Display Heating/Cooling active

: Display Heating mode


: Display Cooling mode

: Display Controller blocked, dewpoint operation

Setting the operating mode

Operating elements for setting the operating mode via the bus are installed, e.g. push-buttons, panels.

- Activate the desired operating mode on the operating element.
Setpoint temperature for the room is set according to the new operating mode.
The new operating mode is displayed on the Status LED (3)(picture 1).

 When the controller state is changed, it can take up to 30 seconds for the Status LED to change its display.



Changing the room temperature

- Turn the adjustment dial in the clockwise direction.
Setpoint temperature is increased.
- Turn the adjustment dial in the anti-clockwise direction
Setpoint temperature is decreased.

Activating comfort extension

With automatic changeover from the Comfort operating mode to either the Night or Frost/Heat Protection operating mode by an external timer, it is possible to extend the comfort mode. The programmed time for the Motion button is taken into account here.

The controller is in the operating mode Night or Frost/heat protection.

- Press presence button (1) (picture 1).
Status LED  or  light up.
Comfort mode is extended by the programmed time.
Once the programmed time expires, the original operating mode Night or Frost/heat protection is restored.

 The comfort extension can also be activated automatically, e.g. via a presence sensor.

5 Information for electrically skilled persons

5.1 Fitting and electrical connection



DANGER!

Electrical shock on contact with live parts in the installation environment.

Electrical shocks can be fatal.

Before working on the device, disconnect the power supply and cover up live parts in the working environment.

Mounting notes

Do not use controller in multiple combinations with electrical devices. Their heat creation can influence the temperature measurement of the controller.

Do not mount the controller near sources of interference such as electric cookers, refrigerators, draughts or direct sunlight. This influences the temperature measurement of the controller.

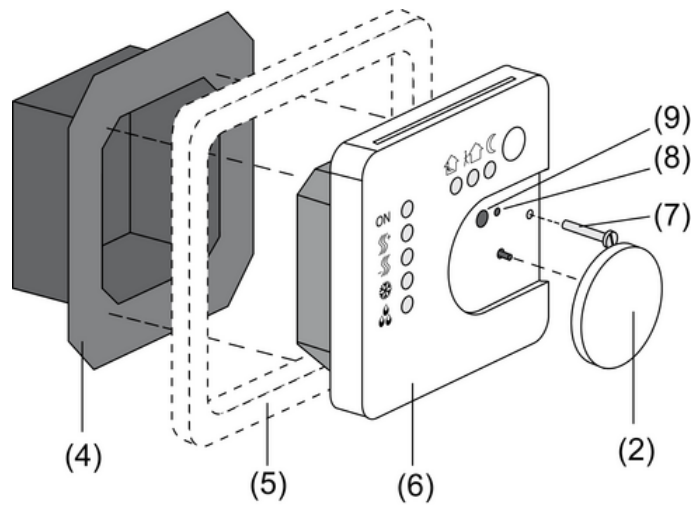
Observe routing conditions for SELV.

Do not route input cables parallel to mains cables. Otherwise there might be EMC interference.

Recommendation: Use deep accessory sockets.

The optimum installation height is approx. 1.5 m.

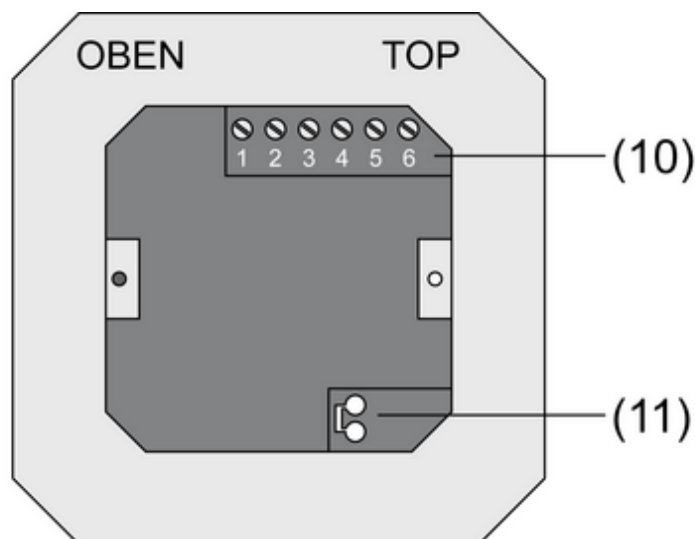
Mounting and connecting the device



picture 2

- (4) Terminal insert
- (5) Design frame
- (6) Electronics cover
- (7) Retaining screw
- (8) Programming LED
- (9) Programming button

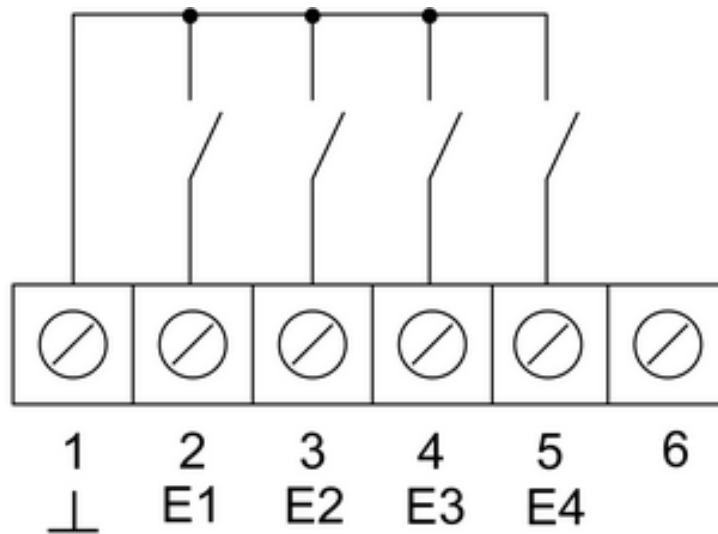
- Isolate terminal insert (4) from electronic insert (6) (picture 2).
- Connect the bus line to the connection terminal (11) in the terminal insert (picture 3).



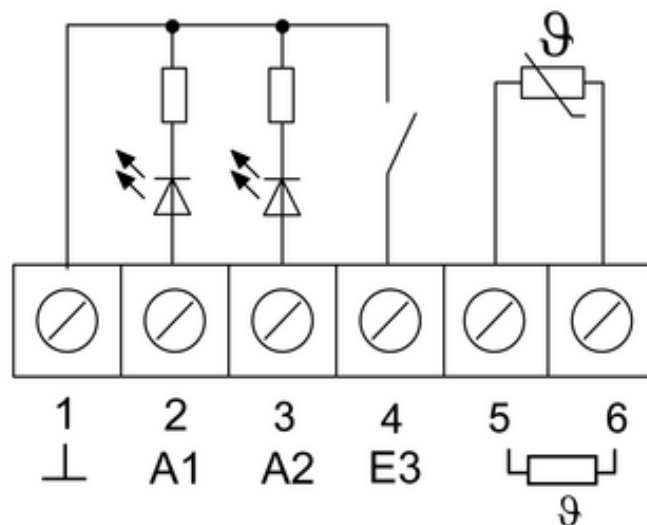
picture 3

- Binary inputs **E1...E4**: Connect window contacts, NO or NC buttons to the terminals **1** and **2...5** (picture 4) of the terminal strip (10) (picture 3).
- Binary inputs **A1...A2**: Connect the LED or electronic relay to the terminals **1** and **2, 3** (picture 5) of the terminal strip (10) (picture 3).

- i The specification of the function as an input/output is dependent on the ETS programming.



picture 4



picture 5

Optional: Route an external temperature sensor in an empty pipe and run the sensor head out at the measurement location.

Select the installation location for the temperature sensor so that it can measure the temperature without influence from sources of interference.

- Connect the external temperature sensor to the terminals **5** and **6** (picture 5) of the terminal strip (10) (picture 3).

- i The sensor cable can be extended up to a maximum of 50 m with a twisted pair cable, e. g. J-Y(St)Y-2x2x0.8. When using the KNX bus cable: Use a second pair of cores, yellow-white.

- Insert terminal insert (4) (picture 2) in flush-mounted appliance box. Note label **OBEN / TOP**. The bus connection (11) must be to the right (picture 3).
- Fit design frame (5) on terminal insert (4) (picture 2).
- Insert the electronics cover (6) into the terminal insert (4) in the correct orientation (picture 2).

- Pull off adjustment dial (2) (picture 2).
- Fasten the electronics cover with the locking screw (7) (picture 2).
- Refit adjustment dial (2) (picture 2).

5.2 Commissioning

Load the address and application software

Use commissioning software from ETS2 version 1.2 onwards.

- Pull off adjustment dial (2) (picture 2).
- Press the programming button (9) (picture 2).
The programming LED (8) is illuminated (picture 2).
- Assign physical address.
The programming LED (8) is extinguished (picture 2).
- Record the physical address on the terminal insert and on the back of the electronic cover.
- i Observe the correct assignment of inserts and covers when assembling after painting and wallpapering work.
- Refit adjustment dial (2) (picture 2).
- Download application software, parameters, etc.

6 Appendix

6.1 Technical data

KNX medium	TP 1
Commissioning mode	S mode
Rated voltage	DC 21 ... 32 V SELV
Current consumption KNX	max. 10 mA
Connection, Bus	Connection terminal
Ambient temperature	-5 ... +45 °C
Storage/transport temperature	-25 ... +70 °C
Output current	0.8 mA
Inputs and outputs	
Cable type	J-Y(St)Y 2 x 2 x 0.8 mm
Cable length	max. 5 m
Temperature sensor cable length	max. 50 m

6.2 Accessories

External sensor Art.-No.: FF7.8

6.3 Warranty

We reserve the right to make technical and formal changes to the product in the interest of technical progress.

We provide a warranty as provided for by law.

Please send the unit postage-free with a description of the defect to our central customer service office:

ALBRECHT JUNG GMBH & CO. KG

Service Center
Kupferstr. 17-19
D-44532 Lünen
Service-Line: +49 (0) 23 55 . 80 65 51
Telefax: +49 (0) 23 55 . 80 61 89
mail.vka@jung.de

General equipment

Service-Line: +49 (0) 23 55 . 80 65 55
Telefax: +49 (0) 23 55 . 80 62 55
mail.vkm@jung.de

KNX equipment

Service-Line: +49 (0) 23 55 . 80 65 56
Telefax: +49 (0) 23 55 . 80 62 55
mail.vkm@jung.de

The € symbol is a free trade symbol, which is solely intended for the authorities and does not guarantee any properties.

ALBRECHT JUNG GMBH & CO. KG

Volmestraße 1
D-58579 Schalksmühle

Telefon: +49.23 55.8 06-0
Telefax: +49.23 55.8 06-1 89
E-mail: mail.info@jung.de
Internet: www.jung.de
www.jung-katalog.de