

## MDT VisuControl Touchpanel

Version		
VC-0701.03	7"/17,7 cm TFT Display	Flush mounted
VC-1001.03	10,4"/26cm TFT Display	Flush mounted
VC-0401.02	4,3"/10,9cm TFT Display	Webserver, MDRC

The MDT VisuControl Touch Panel is used for the visualisation of the current building status and to control building functions. The display has a resolution of 800 x 600 pixels (VisuControl 10,4") or 800 x 480 pixels (VisuControl 7"). The operation is interactively by touching the TFT display. The webserver is available as MDRC device with an resolution of 430 x 272 pixels (VisuControl 4,3").

The VisuControl Touch Panel is individually programmable with VisuControl software. It offers standard functions like switching, dimming, shutter/blind control and extensive functions for scene control and visualizing trends (temperature, wind velocity, brightness etc.). To design your own customized screen, you can easily include images or user defined symbols.

The internal clock in the touch panel allows to create presence simulations and timer functions. Additionally the display can log measured values. Either you can visualize them or export them to a spreadsheet.

The included logical functions allow to implement logical operations and logical control. The logical functions interpret the existing telegrams. So you can easily create KNX/EIB telegrams which are required in daily practice (e.g. fault telegrams or „all windows closed“). The integrated LAN connection is used for programming and allows to send emails, web browsing and display RSS newsfeeds.

The VisuControl lite software included in delivery has following limitations. It is not possible to create projects from scratch, but the enclosed demo projects can be modified and transferred to the touchpanel. The widget libraries are not available, but the objects used in the project can be copied as usual. If the unlimited VisuControl Pro software is required, it has to be purchased only once per license holder.

The remote control via iPad/iPhone/Android/PC allows to control following widgets: Labels, Multiline Text, Numeric Fields, Buttons, Hotspot Buttons, Sliders, Gauges, Images, Multistate Images, Indicators, Date, Time, Bar Graphs, Messages, Knobs, Shapes.

The KNX/EIB bus connection is provided via the bus connection terminal. The VisuControl Lite software is included in delivery, without cover frame.

VC-0701.03



VC-1001.03



VC-0401.02



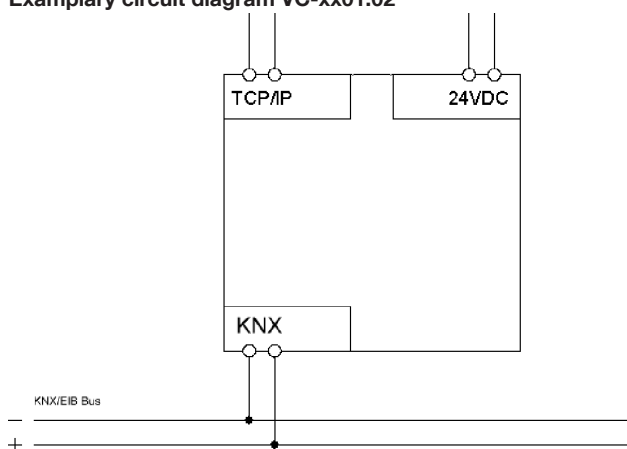
- Production certified according to ISO 9001
- Individually programmable
- Switching and dimming, shutter/blind control
- Remote Access via iPad/iPhone/Android/PC
- Alarm indication
- Logical linking of binary data
- Displaying trends
- Forwarding of informations via email
- VisuControl lite software and demo projects included
- LED Backlight
- 24VDC power supply required (eg. STV-0024.01)
- Integrated bus coupling unit
- 3 years warranty

Technical Data	VC-0401.02	VC-0701.03	VC-1001.03	
Screen size	4,3"	7"	10,4"	
Resolution	480 x 272 Pixel	800 x 480 Pixel	800 x 600 Pixel	
Permitted wire gauge				
Screw terminal	2,5mm <sup>2</sup>	2,5mm <sup>2</sup>	2,5mm <sup>2</sup>	
KNX busconnection terminal	0,8mm Ø, solid core	0,8mm Ø, solid core	0,8mm Ø, solid core	
Power supply	24VDC	24VDC	24VDC	
Power consumption*	< 9W	< 10W	< 11W	
Dimensions**				
Depth	62mm	68mm	68mm	
Width	146mm	247mm	309mm	
Height	107mm	190mm	256mm	
Operation temperature range	0 bis 45°C	0 bis 45°C	0 bis 45°C	
Enclosure	IP 20	IP 20	IP 20	

\* backlight off

\*\* with cover frame

### Exemplary circuit diagram VC-xx01.02



Technical modifications and corrections are subject to change without notice.

Images could be different.