

KNX OUTDOOR SENSORS

Sensorstation FU 40.00 knx



Overview

- GPS Sensorstation for the KNX Bus
- Reception and processing of the GPS-signal
- Temperature and light / brightness sensor
- Lighting control
- Temperature control
- Twilight switch with daily program
- Daily time switch
- Astronomic time switch
- World-wide applicable
- Compact wallmount housing
- Easy installation
- Also suitable for outdoor use (IP 54)

Order numbers

■ müller

FU 40.00 knx

GPS Sensorstation
with Light- / brightness
and temperature sensor

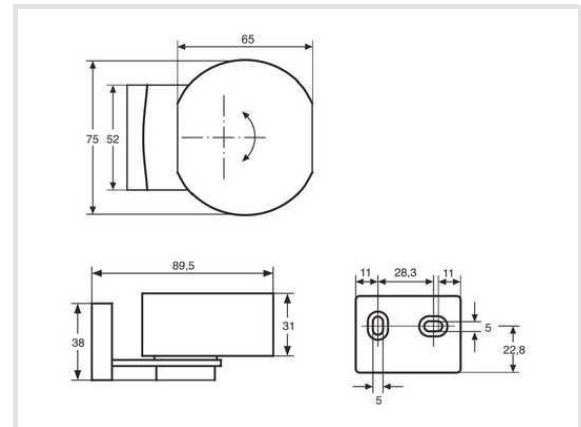
Technische Änderungen vorbehalten.

KNX OUTDOOR SENSORS

Sensorstation FU 40.00 knx

Technical data

Supply voltage	via KNX busvoltage
Bus current	approx. 10 mA
Bus system	KNX
Antenna	GPS receiver
Operation indicator	Flashing LED
Measuring range light sensor	1 ... 22.000 Lux
Measuring range temperatur sensor	-30°...+55°C
Permitted ambient temperature	-30°...+55°C
Housing	Self-extinguishing thermoplastic
Mounting	wall mounting (with included bracket)
Type of protection	IP 54 (DIN EN 60529)
Type of connection	KNX bus terminal



Functions and data provided to KNX bus:

GPS data	Timebase Geographical position: Latitude and Longitude Course / angle of solar radiation during the day Sunrise and sunset times
Lighting control	Send lux value to the bus Send light above / below threshold 1 / 2 Send light scene above / below threshold 1 / 2
Temperature control	Send temperature value to the bus Send temperature value above / below threshold 1 / 2 Send temperature scene above / below threshold 1 / 2
Twilight switch with daily program	Send signal On- / off or light scene according to defined thresholds
Time switch with daily program	Activate time 1 from...to activate time 2 from...to
Astronomic time switch with daily program	Send astro time Send astro plus time Send astro scene

Technische Änderungen vorbehalten.