

Opternu

KNX/EIB

KNX/EIB

Components

KNX/EIB Bus Interface Module BIM M130 Family

SIEMENS



The BIM M13x series of bus interface modules is based on the NEC78K0/Kx2 microcontroller family providing state of the art flash technology. This enables the application designer to utilize a modern tool chain including debug tools leading to shorter development times. In addition the BIM M13x series is designed with a high degree of hardware compatibility to BIM M111/115 and BIM M113 enabling to replace the BIM M111/113/115

in existing hardware and in most cases reducing the development effort to the application software. As in BIM M111/113/115 the application interface includes the PEI,Reset,two PWMs and one processor port. The BIM M13x modules contain the BCU 2.x system software compliant to the KNX specification.

BIM M130	8 Kbyte flash and 200 byte application and object RAM
BIM M131	16 Kbyte flash and 1.2 Kbyte application and object RAM
BIM M132	48 Kbyte flash (banked) and 5.2 Kbyte application and object RAM
BIM M135	BIM M130 with extended temperature range -25 to +70°C

Opternus Components GmbH, Carl-Benz-Weg 3, D-22941 Bargteheide
Tel: +49 4532 2044 0, Fax+49 4532 2044 25
eib-info@opternus.com - www.opternus.com

KNX/EIB Development Tools

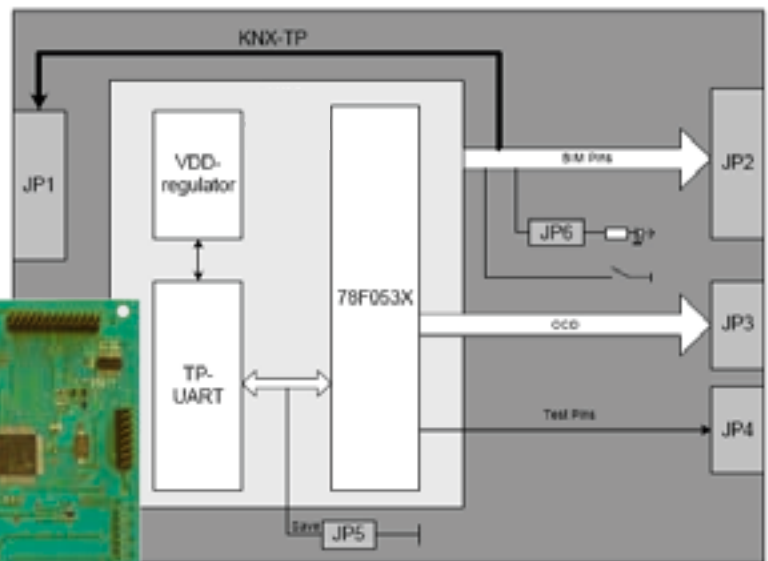
The BIM Evaluation Board is based on the BIM circuit. It has nearly the same electrical characteristics as the BIM.

Differences to the BIM:

- Larger footprint of the processor enabling the placement of a socket
- A programming button and a programming led. The led can be disconnected by a jumper.
- A jumper to signal a save event to the processor



BIM M13x
Evaluation Board



Development tool package for BIM M13x

€ 398.-- plus VAT.

- Evaluation Board with BIM M132 functionality
- NEC Minicube2 development platform for Flash MCU
- IAR Embedded Workbench (size limited version)

Evaluation board



78K0-OCD



MINICUBE2



KNX/EIB basic kit

For commissioning and testing we offer an EIB/KNX hardware environment:

- 1 x N125/01 power supply
- 1 x N148/11 USB interface
- 1 x UP220/13 push button interface
- 1 x UP562/11 UP actor 2x (230V 2x10A)
- 2m bus KNX/EIB cable



Campaign price

€ 299.-- plus VAT,
including the ETS Trainee
software tool € 398.-- plus VAT,

The ETS Trainee is limited to 20 devices
per project and one year

+€ 49 for a RS232 interface instead of USB

+€ 75 for an IP interface instead of USB



Opternus

Components

Opternus Components GmbH, Carl-Benz-Weg 3, D-22941 Bargtheide
Tel: +49 4532 2044 0, Fax+49 4532 2044 25
eib-info@opternus.com - www.opternus.com