



AP 257/22 WEATHER STATION (GPS) WITH GPS RECEIVER

Similar to image

| Technical data: | | |
|--|----|----------------------------|
| Design type | | Weather center |
| Type, explanations | | Weather center (GPS) |
| Design of the sensor | | others |
| Bus system / can be used / EIB/KNX | | Yes |
| Bus system / usable / RF bus system | | No |
| Bus system / usable / Powernet bus system | | No |
| Système de bus / utilisable / système de bus LON | | No |
| Bus system / others / suitable for use | | no |
| Temperature measuring range | | -30 to +80 degrees Celsius |
| Type of mounting | | surface mounted |
| Color | | miscellaneous |
| Protection class IP | | IP44 |
| Version de capteur / station météorologique | | Yes |
| Compatibilité d'interaction / DCF77 | | No |
| Height | mm | 118 |
| Width | mm | 96 |
| Depth | mm | 77 |
| Brightness measuring range | | 0 to 150,000 lux |

| | | |
|--|--|-----|
| Product component | | |
| • integrated / Bus coupling | | Yes |
| • analog input | | No |
| • Digital input | | No |
| • Heating | | Yes |
| Product function / adjustable acoustic signal | | No |

Further information:

Information- and Downloadcenter (Catalogs, Brochures,...)

<http://www.siemens.com/lowvoltage/catalogs>

Global Industry Mall (Online ordering system)

<http://www.siemens.com/lowvoltage/mall>

Service&Support (Manuals, Certificates, Characteristics, FAQs,...)

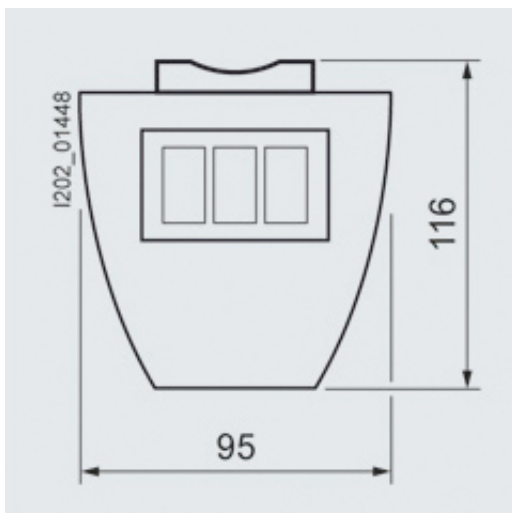
<http://support.automation.siemens.com/WW/view/en/5WG1257-3AB22/all>

Image database (product images, 2D dimension drawings, 3D models, device circuit diagrams, ...)

http://www.automation.siemens.com/bilddb/cax_en.aspx?mlfb=5WG1257-3AB22

Tender specifications

[Datanorm](#) [GAEB81](#) [GAEB83](#) [RTF](#) [TXT](#)



last change:

Jun 30, 2011