

KNX IP Interface 730

E

Interface between LAN and EIB/KNX bus

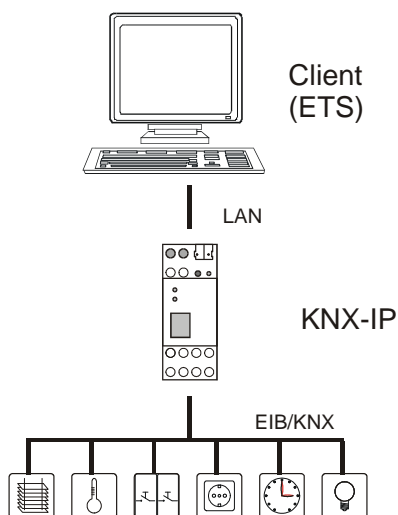
Application area

The KNXnet/IP-Interface is used to connect a PC to the KNX/EIB network. The connection is made through LAN (IP).

The IP address can be obtained by a DHCP server or by manual configuration (ETS) respectively.



This device works according to the KNXnet/IP specification using the core, the device management and the tunnelling part.



Weinzierl Engineering GmbH
84558 Tyltaching
E-Mail: info@weinzierl.de
Web: www.weinzierl.de



Technical data

Electrical safety

- Protection (EN 60529): IP 20
- Safety extra low voltage SELV DC 24 V

EMC requirements

- Complies with EN 61000-6-2, EN 61000-6-3 and EN 50090-2-2

Environmental requirements

- Ambient temp. operating: - 5 ... + 45 °C
- Ambient temp. Non-op.: - 25 ... + 70 °C
- Rel. humidity (non-condensing): 5 % ... 93 %

Certification

- EIB/KNX

CE norm

- Complies with the EMC regulations (residential and functional buildings) and low voltage directive

Physical specifications

- Housing: Plastic
- Rail mounted device
- Width: 36 mm
- Weight: approx. 100 g
- Fire load: approx. 1000 kJ

Operating controls

- Learning key for EIB/KNX

Indicators

- Learning-LED (red)
- Signal-LED (green) for EIB/KNX
- Signal-LED (green) for LAN

Ethernet

- 10BaseT (10Mbit/s)
- Supported internet protocols ARP, ICMP, IGMP, UDP/IP and DHCP

Power supply

- External supply 12-24V
- Alternative: Power-over-Ethernet
- Power consumption: < 800 mW

Connectors

- EIB/KNX connection terminal
- LAN RJ-45 socket
- Screw connector for power supply