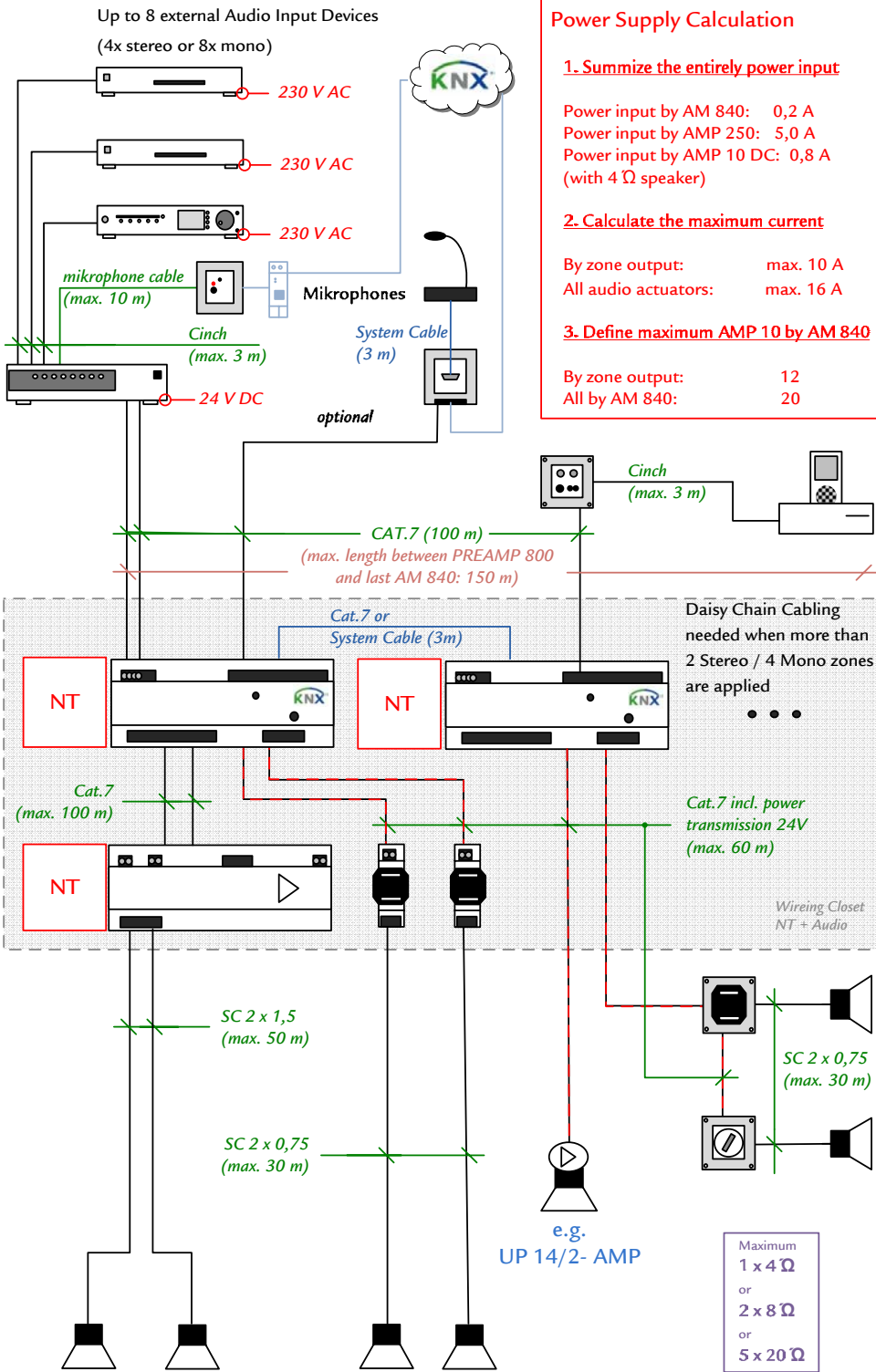


KNX/EIB Audio



Power Supply Calculation

1. Summize the entirely power input

Power input by AM 840: 0,2 A
Power input by AMP 250: 5,0 A
Power input by AMP 10 DC: 0,8 A
(with 4 Ω speaker)

2. Calculate the maximum current

By zone output: max. 10 A
All audio actuators: max. 16 A

3. Define maximum AMP 10 by AM 840

By zone output: 12
All by AM 840: 20

Symbols

	... Audio Source
	... Audio Server
	... Preamplifier PREAMP 800
	... Mobile MP3 Player e.g. iPod
	... Preamplifier PREAMP UP
	... Audio Actuator AM 840
	... Stereo Amplifier AMP 250
	... Amplifier for AMP 10 DC UP
	... In-wall assembly AMP 10 DC UP
	... Amplifier for AMP 10 DC HS
	... KNX/EIB Binary Input
	... Amplifier with potentiometer AMP 10 ... UP
	... Power Supply Subzone
	... Loudspeaker
	... with Amplifier
	... Microphone MIC UP
	... Microphone Speaker Unit MIC 800 with In-wall assembly

WHD Wilhelm Huber + Söhne GmbH & Co. KG
Postfach 1154
D-78648 Delfingen
Telefon: +49 (0) 74 20 / 8 89-0
Telefax: +49 (0) 74 20 / 8 89-51
Internet: www.whd.de
Mail: info@whd.de