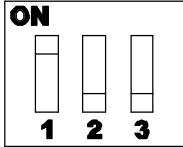
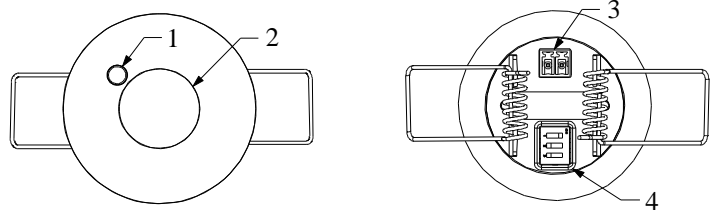


### Description:

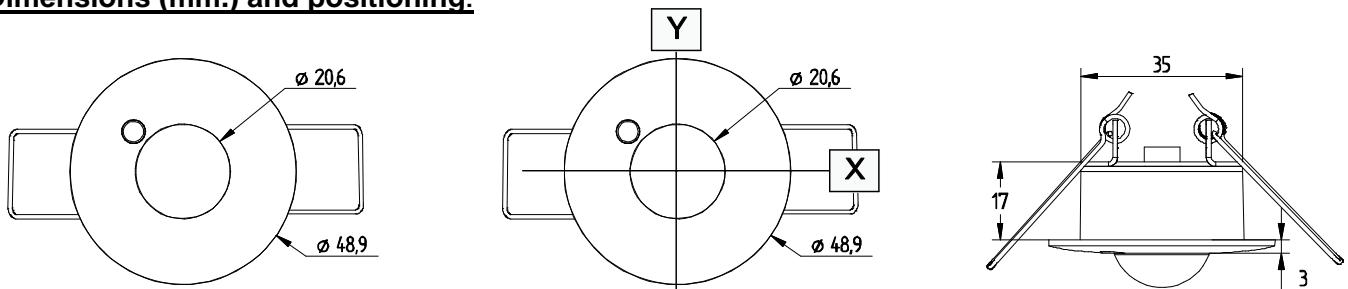
1. LED indicating operation (red) – luminosity sensor.
2. Superficial enclosure for motion sensor.
3. Connection terminal.
4. Triple micro-switch<sup>(1)</sup>: On/Off LED indicating operation, On/Off luminosity sensor, 3.3V/5V input voltage.



Micro-switch	ON	OFF
1	Luminosity sensor ON	Luminosity sensor OFF
2 <sup>(1)</sup>	3.3V common terminal input voltage	5V common terminal input voltage
3	Motion detection LED OFF	Motion detection LED ON

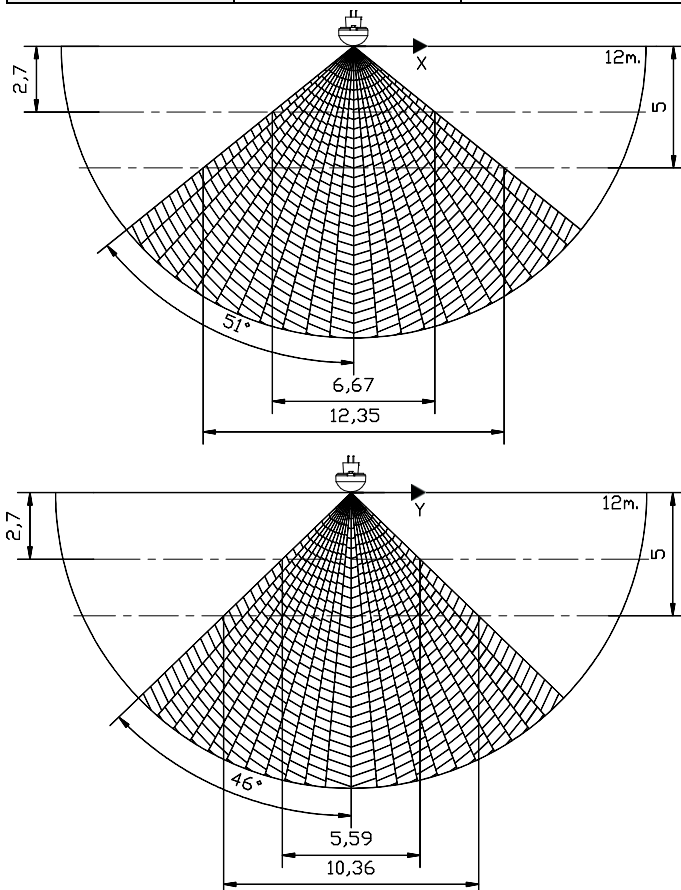
<sup>(1)</sup> To check what input voltage is needed, consult the latest datasheet of the device to which the motion detector will be connected.

### Dimensions (mm.) and positioning:



### Detection Area:

Detection Area		
Ceiling height	Distance Axe X	Distance Axe Y
2.7m	6.67m	5.59m
5m	12.35m	10.36m

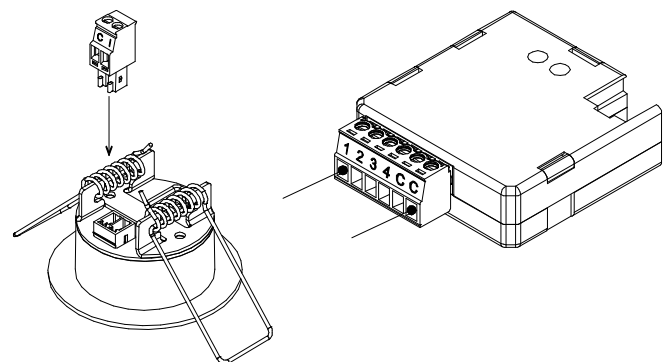


### Connection Scheme:

#### Option 1: 1 motion sensor

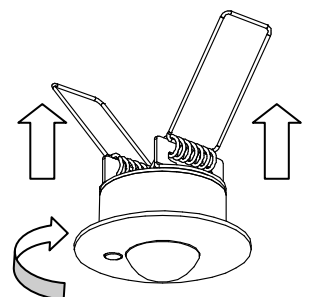
The desired Zennio device input is connected to the sensor terminal marked with the letter I.

In closing, connect the Zennio device common (any terminal marked with the letter "C") to the sensor terminal marked with the letter C.



Make a circular hole with a diameter equal to 40mm.

Raise the pressure clips and introduce the sensor. Take into account the axes X-Y position for optimizing the detection



**Option 2:** 2 motion sensors connected in parallel (connected to the same input).

The desired Zennio device input is connected to sensor terminal number 1 which is marked with the letter **I**.

Next step consists in connecting the Zennio device common (any terminal marked with letter "C") to the sensor terminal number 1 marked with the letter **C**.

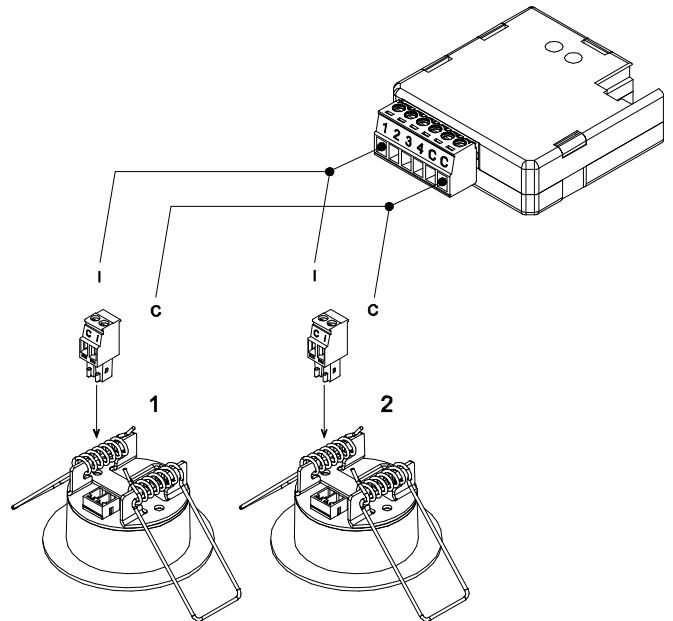
Do the same operation again with sensor 2, using the same Zennio device input. In order to make easy this operation, the Zennio device has two terminals corresponding to the common, both marked with letter "C".



Maximum 2 sensors in parallel.



At least, one luminosity sensor in OFF position.



#### GENERAL SPECIFICATIONS

Concept	Description
Device type	Electric Operation Control Device
Consumption (detecting status)	1mA
Consumption (stand-by)	15µA
External power supply	3.3V or 5V through the common terminal
Ambient temperature	0°C to +55°C
Storage temperature	-20°C to +70°C
Ambient humidity (relative)	30 to 85% RH (no condensation)
Storage humidity (relative)	30 to 85% RH (no condensation)
Protection class	IP 20, clean environment
Assembly	False ceiling recommended. Avoid its assembly near light spots or other heat sources.
Performance indicator	When detecting presence, the LED flashes. Cancellable function with the corresponding micro switch
PCB CTI index	175 V
Enclosure	PC+ABS FR V0 halogen free
Weight	25 g.
Connection type	Screw terminal clamp
Max cable length	30 meters (Zennio device inputs specification. Look up compatible devices)
Cable section	0,15mm <sup>2</sup> to 1 mm <sup>2</sup> (Zennio device inputs specification. Look up compatible devices)
Max number of sensors in parallel	2 (at least, one luminosity sensor must be cancelled)
Detection angle axe X	51°
Detection angle axe Y	46°
Luminosity range	TBD

#### SAFETY INSTRUCTIONS



- Do not connect to the main voltage (230 V) or any other external voltages. Connect only to the Zennio device inputs (QUAD, ACTinBOX Classic-Hybrid, etc). Connecting an external voltage might put all the KNX system into risk.
- Installation should only be performed by qualified electricians following applicable regulations on preventing accidents, as required by law.
- Keep away from water. If product comes into contact with water or other liquid, unplug immediately.