

FEATURES

- 2 output channels to control 12-24VDC shutters.
- 12-24VDC external power supply needed.
- DIN rail unit assembly (EN 50022), with snap fit clamp.
- Size 90 x 60 x 35 mm (2 DIN units).
- CE directives compliant.

1. Shutter output channel 2	2. Shutter output channel 1	3. Shutter control input for channel 1
4. Shutter control input for channel 2	5. External power supply for channel 1	6. External power supply for channel 2

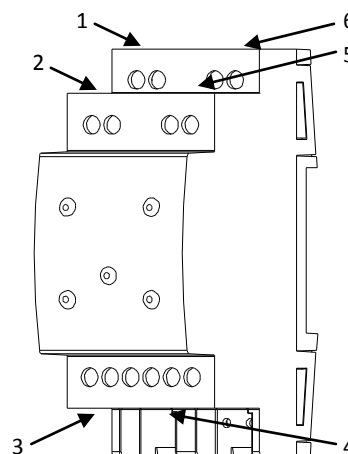


Figure 1: Shutter Coupler 2CH

GENERAL SYSTEM SPECIFICATIONS		
Concept	Description	
Type of device	Electric operation control device	
External power supply	12 to 24VDC	
Working temperature	-10°C to +60°C	
Storage temperature	-20°C to +70°C	
Ambient humidity (relative)	3 to 95% RH (no condensation)	
Storage humidity (relative)	3 to 95% RH (no condensation)	
Complementary characteristics	Class B	
Safety class	II	
Operation type	Continuous operation	
Device action type	Type 1	
Electrical sollicitation period	Long	
Type of protection	IP20, clean ambient	
Assembly	Independent control assembly device to be mounted inside of electrical panels with DIN rail (EN 50022)	
Weight	90g.	
PCB CTI index	175 V	
Enclosure	PC FR V0 halogen free	
CONTROL INPUT SPECIFICATIONS		
Input voltage	230VAC ~ 50/60Hz	
Connection type	Terminal block (screw)	
Recommended cable section	0,5mm ² to 2,5mm ² (26-12 AWG)	
Cable type	Stranded or solid wire	
Maximum response time	20ms	
SHUTTER OUTPUT CHANNEL SPECIFICATIONS		
Output voltage	12-24VDC	
Maximum current	8A per channel	
Maximum power	192W per channel	
Recommended cable section	0,5mm ² to 4mm ² (20-12 AWG)	
Cable type	Stranded or solid wire	
Expected life	Mechanical	10 million operations (6cpm)
	Electrical	100.000 cycles

ASSEMBLY DIAGRAM

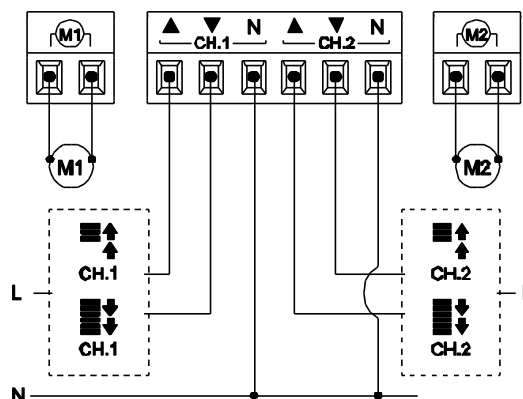
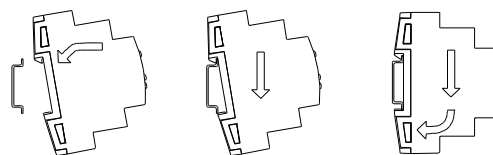


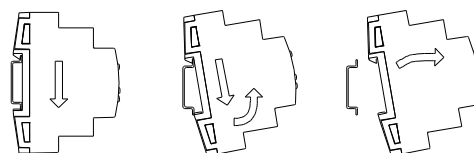
Figure 2: wiring example for two shutter channels

ATTACHING TO DIN RAIL

Attaching Shutter Coupler 2CH to DIN rail:



Removing Shutter Coupler 2CH from DIN rail:



SAFETY INSTRUCTIONS



- The external power supply output voltage must never exceed the shutter operating voltage specified by the manufacturer. Not following this recommendation could damage the motor.
- Installation should only be performed by qualified electricians.
- Once installed, the device must not be accessible from the outside.