

### FEATURES

- Four configurable inputs as:
  - Binary input.
  - Temperature probe (NTC with customizable curve).
  - Motion sensor.
- 4 thermostats.
- Total data saving on KNX bus failure.
- Dimensions: 39 x 39 x 14mm.
- No external supply required different from bus.
- Can be mounted within distribution boxes, junction boxes, wall back boxes or DIN rail.
- Integrated KNX BCU.
- Conformity with the CE directives.

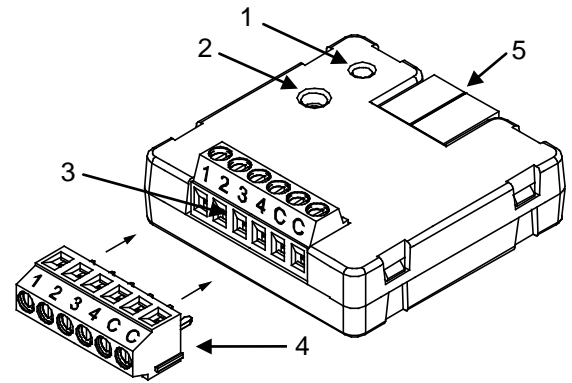


Figure 1: QUAD Plus

1. Programming LED      2. Programming button      3. Inputs      4. Optional connector      5. KNX connector

**Programming button:** short button press to set programming mode. If this button is held while plugging the device into the KNX bus, it enters in safe mode.

**Programming LED:** programming mode indicator (red). When the device enters into safe mode, it blinks (red) every half second. During the start-up (reset or after KNX bus failure) and if the device is not in safe mode, it emits a red flash.

### GENERAL SPECIFICATIONS

CONCEPT		DESCRIPTION		
Type of device		Electric operation control device		
KNX supply	Voltage (typical)	29V DC SELV		
	Voltage range	21...31VDC		
	Maximum consumption	Voltage	mA	mW
		29VDC (typical)	6	174
24VDC <sup>(1)</sup>	10	240		
Connection type		Typical bus connector TP1; 0.80mm <sup>2</sup> section		
External power supply		No		
Operation temperature		0°C to +55°C		
Storage temperature		-20°C to +70°C		
Operation humidity		5 to 95% RH (no condensation)		
Storage humidity		5 to 95% RH (no condensation)		
Complementary characteristics		Class B		
Protection class		III		
Operation type		Continuous operation		
Device action type		Type 1		
Electrical stress period		Long		
Degree of protection		IP20, clean environment		
Installation		Independent device to be mounted within distribution boxes, junction boxes, wall back boxes or DIN rail.		
Minimum clearances		Not required		
Response on KNX bus failure		Data saving according to parameterization.		
Response on KNX bus restart		Data recovery according to parameterization.		
Operation indication		Programming LED indicates programming mode (red).		
Weight		17g		
PCB CTI index		175V		
Housing material		PC FR V0 halogen free		

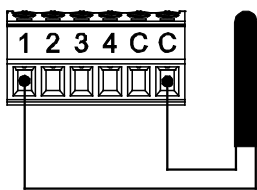
<sup>(1)</sup> Maximum consumption in the worst case scenario (KNX Fan-In model)

INPUTS SPECIFICATIONS AND CONNECTIONS	
CONCEPT	DESCRIPTION
Number of inputs	4
Inputs per common	2
Operation voltage	3.3VDC in the common
Operation current	1.0mA @ 3.3VDC (per input)
Input impedance	Aprox. 3.3kΩ
Switching type	Dry voltage contacts between input and common
Connection method	Screw terminal block
Max. cable length	30m
NTC probe length	1.5m (up to 30m)
NTC accuracy (@ 25°C) <sup>(2)</sup>	±0.5°C
Temperature resolution	0.1°C
Cable cross-section	0.5mm <sup>2</sup> to 1.0mm <sup>2</sup> (26-16 AWG)
Maximum response time	10ms

<sup>(2)</sup> For Zennio temperature probes.

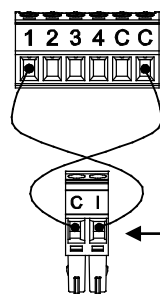
Any combination of the next **accessories** is allowed in the inputs:

#### Temperature Probe<sup>(3)</sup>



**Zennio temperature probe references:**  
 ZN1AC-NTC68E  
 ZN1AC-NTC68F  
 ZN1AC-NTC68S  
 ZAC-SPAT-W/AS

#### Motion Sensor

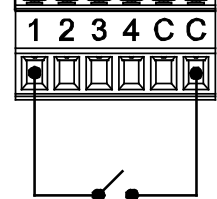


Up to two motion sensors can be plugged into the same device input (parallel wiring)

Motion sensor cable screw terminal.

**Motion sensor reference:**  
 ZN110-DETEC-P<sup>(4)</sup>  
 ZN110-DETEC-X

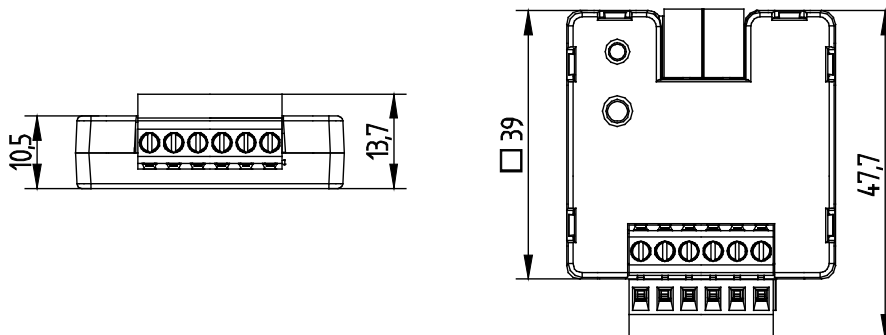
#### Switch/Sensor/ Push button



<sup>(3)</sup> The probe can be a Zennio one or a NTC probe with known resistances for three temperatures in the range [-55, 150°C].

<sup>(4)</sup> The micro switch number 2 in the ZN110-DETEC-P sensor **must be in Type B position** to work properly.

#### MAIN DIMENSIONS (in mm)



#### SAFETY INSTRUCTIONS

- Installation should only be performed by qualified professionals according to the laws and regulations applicable in each country.
- Do not connect the mains voltage nor any other external voltage to any point of the KNX bus; it would represent a risk for the entire KNX system. The facility must have enough insulation between the mains (or auxiliary) voltage and the KNX bus or the wires of other accessories, in case of being installed.
- Once the device is installed (in the panel or box), it must not be accessible from outside.
- Keep the device away from water and do not cover it with clothes, paper or any other material while in use.
- The WEEE logo means that this device contains electronic parts and it must be properly disposed of by following the instructions at <http://zennio.com/wEEE-regulation>.

