

FEATURES

- 2 analog/digital inputs.
- 10 Logic functions.
- Total data saving on KNX bus failure.
- Integrated KNX BCU.
- Dimensions 39 x 39 x 14mm.
- Can be mounted within distribution boxes, junction boxes or wall back boxes.
- Conformity with the CE directives (CE-mark on the front side).

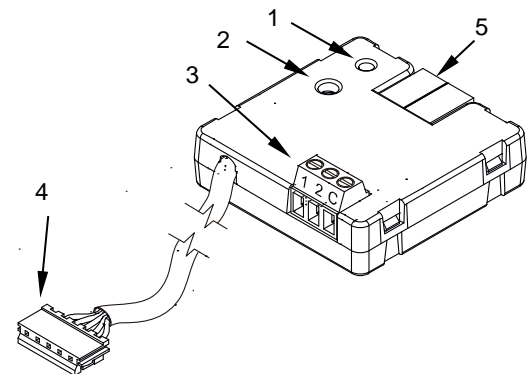


Figure 1: KLIC-DD v3

1. Programming LED	2. Programming button	3. Inputs
4. HVAC equipment communication cable		5. KNX bus connector

Programming button: short press to set programming mode. If this button is held while plugging the device into the KNX bus, it enters the safe mode.

Programming LED: programming mode indicator (red). When the device enters the safe mode, it blinks (red) every half second. During the start-up (reset or after KNX bus failure) and if the device is not in safe mode, it emits a red flash.

GENERAL SPECIFICATIONS

CONCEPT		DESCRIPTION		
Type of device		Electric operation control device		
KNX supply	Voltage (typical)	29VDC SELV		
	Voltage range	21..31VDC		
	Maximum consumption	Voltage	mA	mW
		29VDC (typical)	4.1	118.9
24VDC ¹	10	240		
Connection type		Typical TP1 bus connector for 0.80mm Ø rigid cable		
External power supply		Not required		
Operation temperature		0°C .. +55°C		
Storage temperature		-20°C .. +55°C		
Operation humidity		6 .. 95% (No condens.)		
Storage humidity		6 .. 95% (No condens.)		
Complementary characteristics		Class B		
Protection class		II		
Operation type		Continuous operation		
Device action type		Type 2		
Electrical stress period		Long		
Degree of protection		IP20, clean environment		
Installation		Independent device to be mounted in electrical panels, distribution boxes, junction boxes or wall back boxes. It must not be installed inside the air conditioning equipment.		
Minimum clearances		Not required		
Response on KNX bus failure		Data saving according to parameterization		
Response on KNX bus restart		Data recovery according to parameterization		
Operation indicator		The programming LED indicates programming mode (red).		
Weight		24g		
PCB CTI index		175V		
Housing material		PC FR V0 halogen free		

¹ Consumo máximo en el peor escenario (modelo Fan-In KNX)

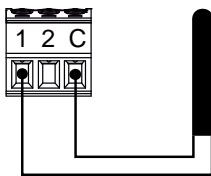
INPUTS SPECIFICATIONS AND CONNECTIONS	
CONCEPT	DESCRIPTION
Number of inputs	2
Inputs per common	2
Operation voltage	+3.3VDC in the common
Operation current	1mA @ 3.3VDC (por cada entrada)
Switching type	Dry voltage contacts between input and common
Connection method	Screw terminal block
Cable cross-section	0.2-1.5mm ² (DIN) / 28-14AWG (UL)
Maximum cable length	30m
NTC probe length	1.5m (up to 30m)
NTC accuracy (@ 25°C) ²	±0.5°C
Temperature resolution	0.1°C
Maximum response time	10ms

² For Zennio temperature probes.

INPUTS CONNECTION

Any combination of the next **accessories** is allowed on the inputs:

Temperature Probe**



Zennio temperature probe.

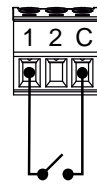
Motion Sensor



Up to two motion sensors can be plugged into the same device input (parallel wiring)

Motion sensor screw terminal.
Motion sensor references:
 ZN110-DETEC-X
 ZN110-DETEC-P*

Switch/Sensor/ Push button

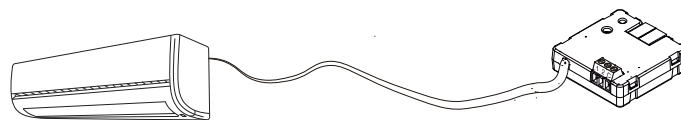


* The micro switch number 2 in the ZN110-DETEC-P must be in **Type B position** to work properly.

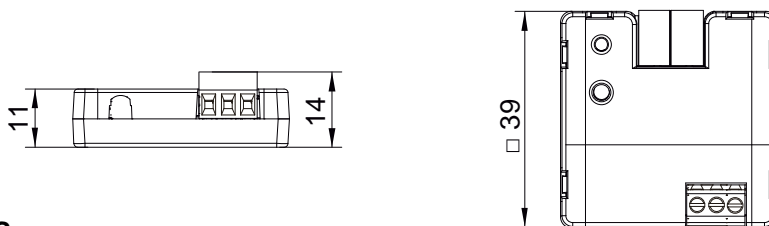
**May be a Zennio temperature probe or any NTC with known resistance values at three points in the range [-55, 150°C].

HVAC EQUIPMENT CONNECTION CABLE SPECIFICATION AND CONNECTIONS	
CONCEPT	DESCRIPTION
Cable length	70 cm approx.
Number and section of wires	5 x 28ABW (0.08mm ²)
Connector pitch	2.5mm
Operation voltage	5VDC
Connection in Domestic Daikin equipment	S21 connector

CONNECTION TO EQUIPMENT



DIMENSIONS



SAFETY INSTRUCTIONS

- Installation should only be performed by qualified professionals according to the laws and regulations applicable in each country.
- Do not connect the mains voltage nor any other external voltage to any point of the KNX bus; it would represent a risk for the entire KNX system. The facility must have enough insulation between the mains (or auxiliary) voltage and the KNX bus or the wires of other accessories, in case of being installed.
- Keep the device away from water and do not cover it with clothes, paper or any other material while in use.
- The WEEE logo means that this device contains electronic parts and it must be properly disposed of by following the instructions at <http://zennio.com/wEEE-regulation>.