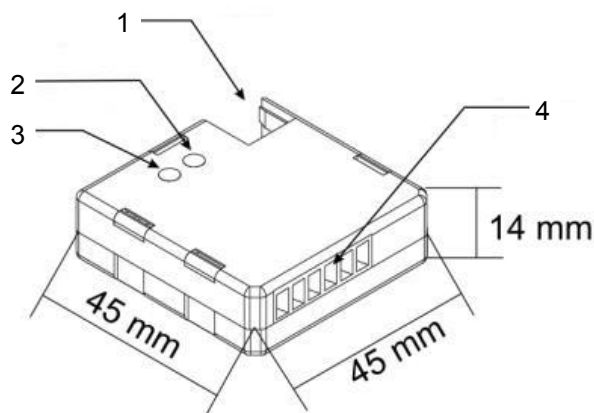


FEATURES

- Reduced size: 45 x 45 x 14mm.
- No external supply required different from bus.
- Four inputs can be configured as followed:
 - Binary inputs (switch sensor, push button).
 - Temperature probe (with thermostat function).
 - Motion sensor.
- Independent device can be mounted within distribution boxes, junction boxes, or wall back boxes.
- KNX BCU integrated.
- Total Data Saving on loss of power supply.
- CE Directives compliant.



1. KNX bus 2. LED 3. Programming button 4. Socket

Programming button: a push button to set the programming mode. If this button is held while plugging the device into the KNX bus, it goes into secure mode.

LED: programming mode indicator. When the device goes into secure mode, it blinks every half second

GENERAL SPECIFICATIONS

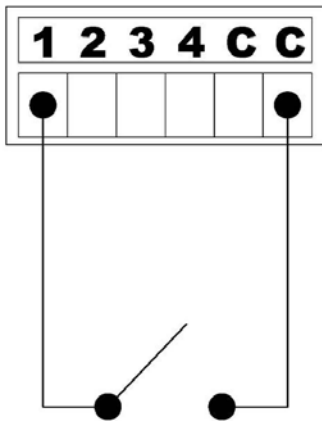
CONCEPT		DESCRIPTION
Device Type		Electric operation control device
KNX Bus Supply	Operation voltage	29V DC SELV
	Voltage margin	21...31V DC
	Consumption	Max. 10mA
	Connection Type	Typical BUS connector TP1, 0,50 mm ² section
Main supply		No
Ambient Temperature		-5 °C to +45 °C
Storage Temperature		-20 °C to +70 °C
Ambient Humidity		30 to 85% RH (no condensation)
Storage Humidity (relative)		30 to 85% RH (no condensation)
Complementary characteristics		Class B
Safety class		II
Operation type		Continuous operation
Device Action Type		Type I
Electrical solicitations period		Long
Protection class		IP 20, Clean environment
Assembly		Independent device can be mounted within distribution boxes, junction boxes, or wall back boxes.
Minimum Clearances		-----
Response to bus voltage failure		Data saving
Operation Indicator		Programming LED ON when pushing the programming button.
Weight		60 gr.
PCB CTI index		175 V
Enclosure		PC+ABS FR V0 halogen free

OUTPUTS - Specification and Connections

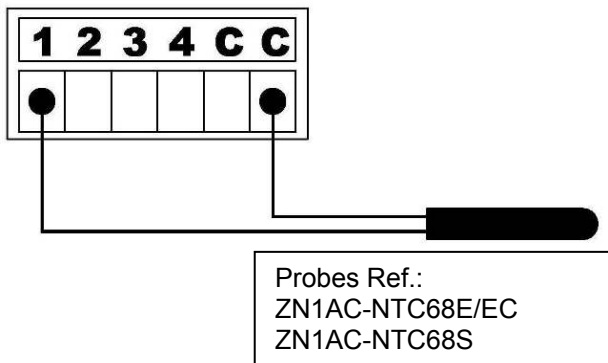
Concept	Description
Isolation Method	Opto-Coupler
Input Voltage	+5V DC to common
Voltage Margin	-----
Input Current	3 mA / 4,75V DC (each input)
Inputs per Common	4 inputs / common
Input Impedance	Aprox. 3.3kΩ
Switch Type	Dry voltage contacts between input and common
Connection Type	Cable screw terminal and matching socket
NTC Probe Length	1.5 meters (extending up to 30 m.)
Max Cable Length	30 meters
Cable Section	0,15 mm ² to 1 mm ²
Response Time	Max. 10 ms
Total number of inputs	4

BINARY INPUTS TERMINAL BLOCK WIRING

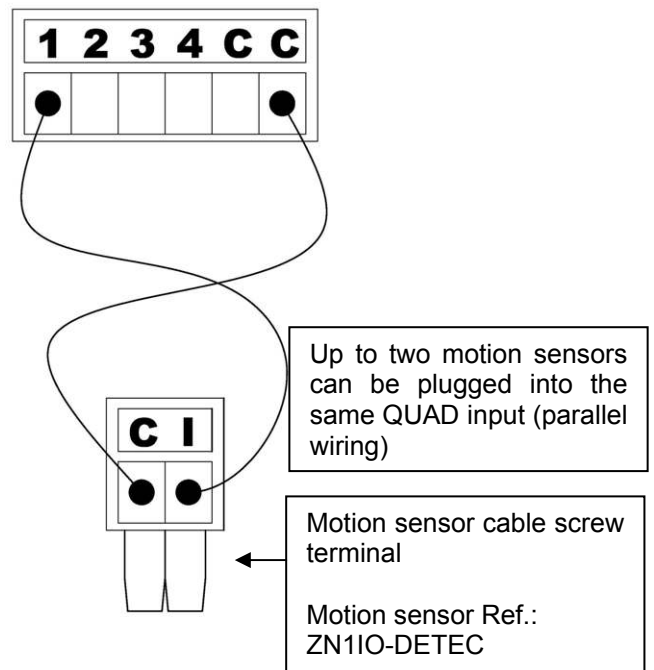
BINARY INPUTS



TEMPERATURE PROBES **



MOTION SENSORS * **



* For further information about the motion sensor, please download its documentation.

** Motion sensor and temperature probe are NOT included.

SAFETY INSTRUCTIONS



- Do not connect Mains Voltage (230 V) or any other external voltages to any point of the BUS. Connecting an external voltage might put the entire KONNEX system at risk.
- Once installed, the device must not be accessible from the outside.
- Installation should only be performed by qualified electricians following applicable regulations on preventing accidents, as required by law.
- Keep away from water. If this product comes into contact with water or any other liquid, unplug immediately.