

## General description

CT430900 is an actuator composed of 9 potential-free relay outputs (dry contact). Each output could work independently or simultaneously in different modes: binary outputs, blinds, Fan-coils or thermo-valves. Support for Arithmetic and Logic Unit (UAL) that allows to program complex logic operations, timers programming, counters, etc. using internal or external variables.

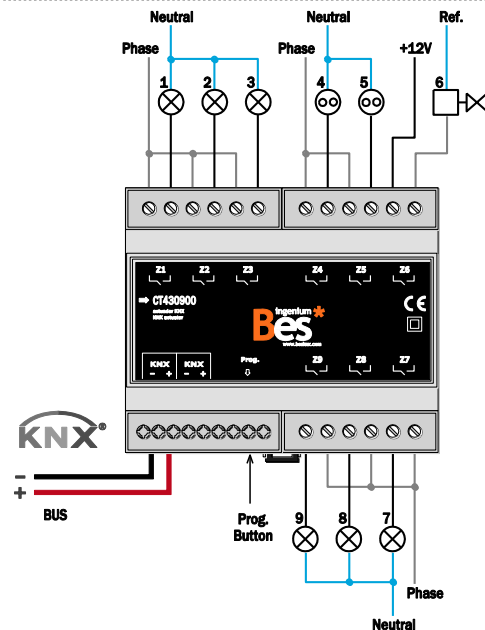
## Characteristics

- Its 9 outputs allow to control 9 on / off electrical circuits, 4 blinds (2 outputs for one blind motor: up phase and down phase) or 2 Fan-coils. The cut off capacity is 16A@230V<sub>AC</sub> / potential free relay output. If necessary, insert a contactor to control higher power circuits
- Last position memory in case of power failure

## Technical information

<b>Supply</b>	29Vdc from KNX BUS
<b>Consumption</b>	9 mA from KNX BUS
<b>Mounting</b>	DIN Rail (6 modules)
<b>Connections</b>	KNX connecting terminal bus Screw terminal block for inputs and outputs.
<b>Outputs</b>	9 digital outputs (potential-free relay) 16A@230V <sub>AC</sub> cut-off capacity.
<b>Breaking power</b>	16A @ 230Vac
<b>Environment temperature range</b>	Operation: from -10°C to 55°C / Storage: from -30°C to 60°C / Transportation: from -30°C to 60°C
<b>Regulation</b>	According to the directives of electromagnetic compatibility and low voltage. EN 50090-2-2 / UNE-EN 61000-6-3:2007 / UNE-EN 61000-6-1:2007 / UNE-EN 61010-1

## Installation



## Observations

Install low voltage lines (KNX bus and inputs) in a ducting separated from the power (230V) and outputs lines ducting to ensure there is enough insulation and avoid interferences.

Do not connect the main voltages (230V) or any other external voltages to any point of the KNX bus or inputs.

## QR Code

